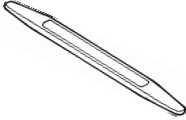


2015 Dodge or Ram Truck RAM 1500 Truck 4WD V6-3.6L

## FRONT DOOR TRIM PANEL - REMOVAL

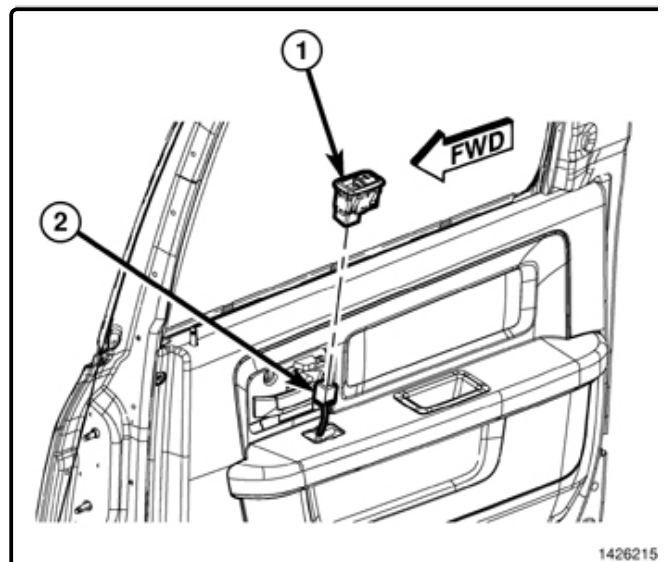
**REMOVAL****Special Tools**

	<p>C-4755 - Trim Stick</p> <p>Originally Shipped In Kit Number(s) <i>9299, 9299CC, 9299CC, 9300A-CAN.</i></p>
---	---

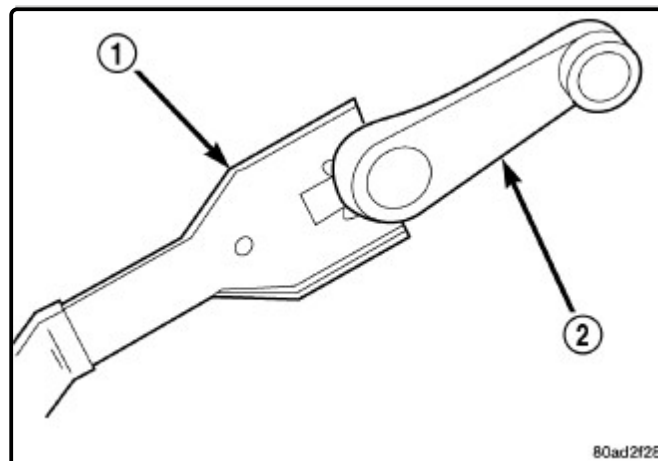
**NOTE:**

Rear door switch shown, front doors are similar.

1. Disconnect and isolate the negative battery cable. If equipped with an Intelligent Battery Sensor (IBS), disconnect the IBS connector first before disconnecting the negative battery cable.
2. Using trim stick C-4755 or equivalent, release the door switch/bezel (1) from the door trim and disconnect the electrical connectors (2), if equipped.



3. If equipped, remove the manual window crank (1) using a window crank removal tool (2).



4. Using trim stick C-4755 or equivalent, remove the mirror flag (4).
5. Remove the screw (2) and remove the interior handle bezel (3).
6. Release the plastic push pins (1).
7. Raise the trim panel (6) upward far enough to disengage the hooks on the back of the panel from the inner door and the door lock knob from the top of the panel.

