

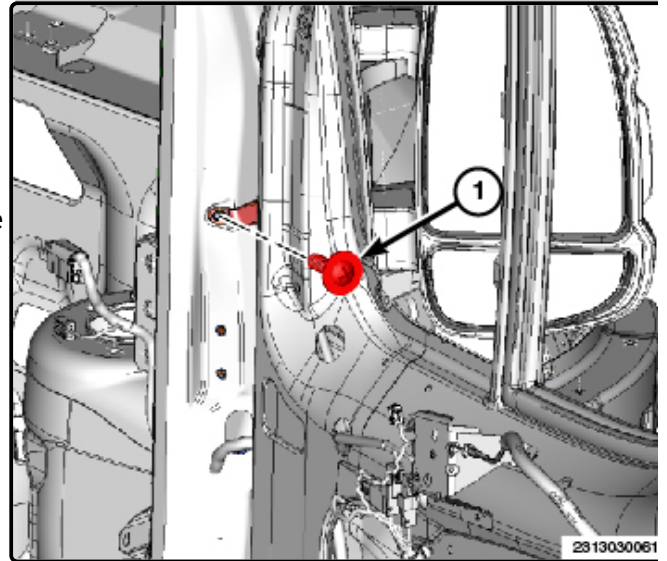
2015 Dodge or Ram Truck ProMaster 1500 V6-3.6L

Vehicle > Body and Frame > Mirrors > Service and Repair > Removal and Replacement

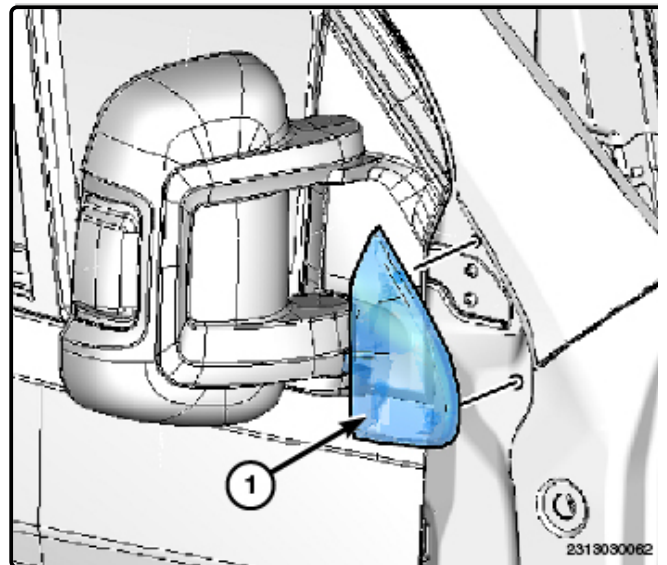
## OUTSIDE REARVIEW MIRROR - REMOVAL

### REMOVAL

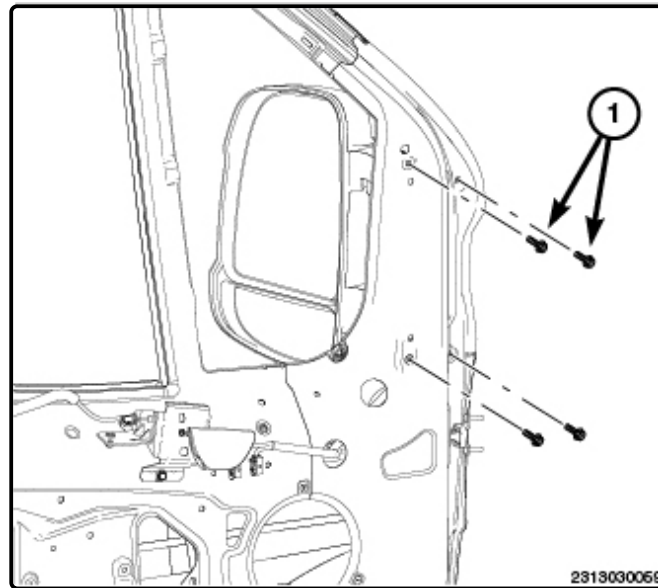
1. For vehicles equipped with power mirrors, remove the door trim panel (Refer to 23 - Body/Door - Front/PANEL, Door Trim/Removal) .
2. Remove the mirror flag trim. (Refer to 23 - Body/Door - Front/FLAG, Mirror/Removal)
3. With the door open, remove the fastener (1) attaching the outer mirror trim.



4. Release the push pin fasteners and remove the mirror trim (1).



5. Remove the fasteners (1).



6. Disconnect the electrical connectors (2) and remove the mirror (1).

