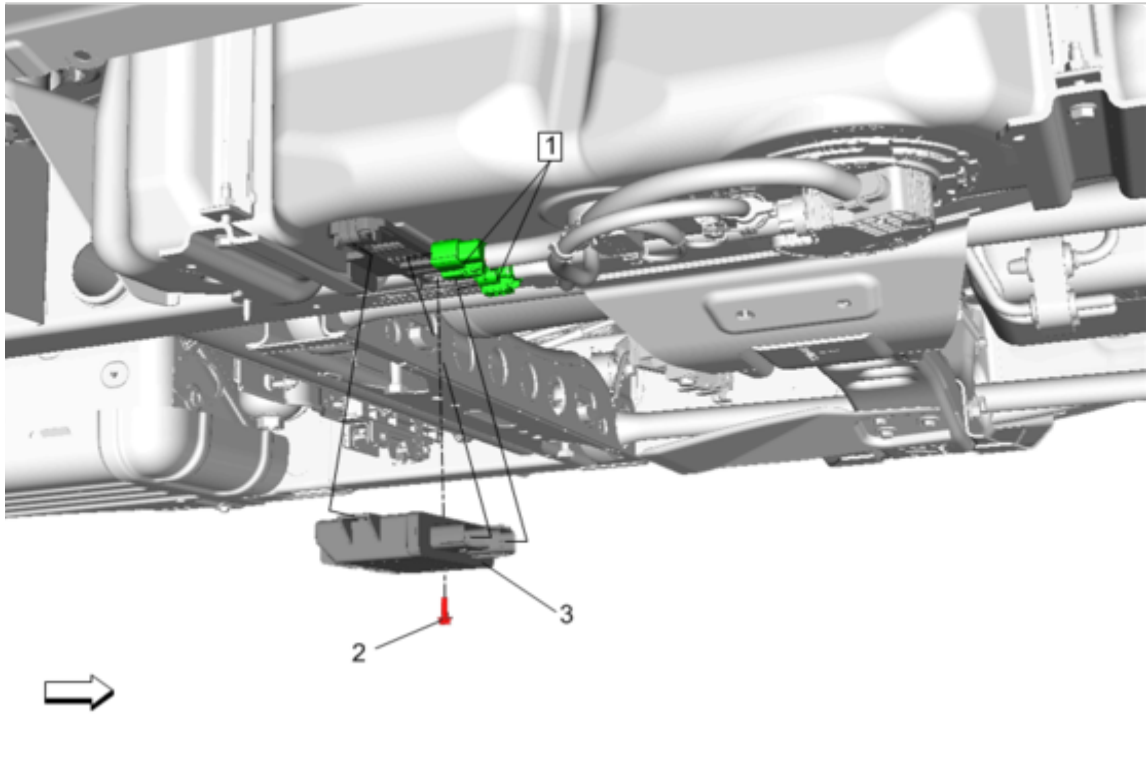


2017 Chevy Truck Silverado 2500 4WD V8-6.6L DSL Turbo

Vehicle > Powertrain Management > Relays and Modules - Powertrain Management > Relays and Modules - Emission Control Systems > Diesel Emissions Fluid Control Module > Service and Repair > Removal and Replacement

EMISSION REDUCTION FLUID CONTROLLER REPLACEMENT

Document ID: 458521!



Callout	Component Name
Preliminary Procedure Emission Reduction Fluid Tank Shield Replacement	
1	Emission Reduction Fluid Tank Reservoir Wire Harness [2x]
2	Emission Reduction Fluid Controller Bolt Caution: Refer to Fastener Caution. 9 Nm (80 lb in)
3	Emission Reduction Fluid Controller Procedure If replacing, reprogram the module. Control Module References

