

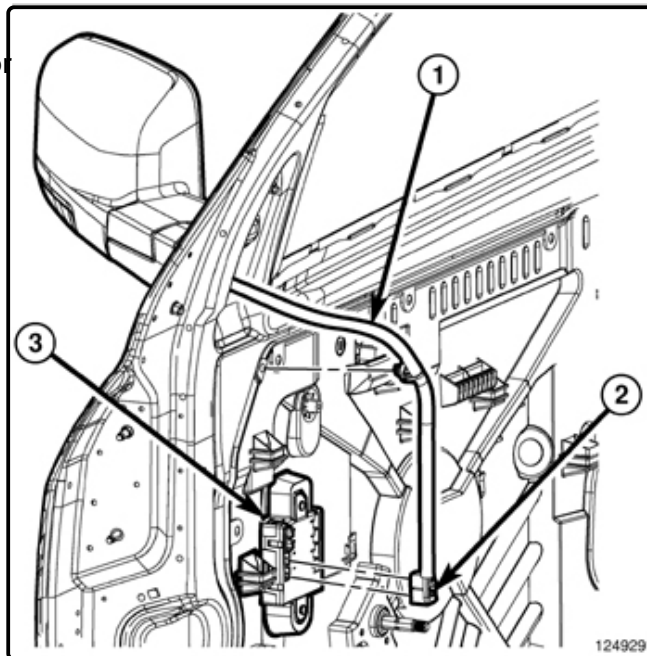
2015 Dodge or Ram Truck RAM 1500 Truck 4WD V6-3.6L

Vehicle > Body and Frame > Mirrors > Service and Repair > Removal and Replacement

OUTSIDE REARVIEW MIRROR - REMOVAL

REMOVAL

1. Remove the door trim panel as necessary to gain access to the mirror. (Refer to 23 - Body/Door - Front/PANEL, Door Trim - Removal) .
2. If equipped, disconnect the wire harness connector (2) from the door module (3) and separate the support clip.



3. Remove the three nuts (2) that secure the mirror to the door and carefully remove the mirror.

