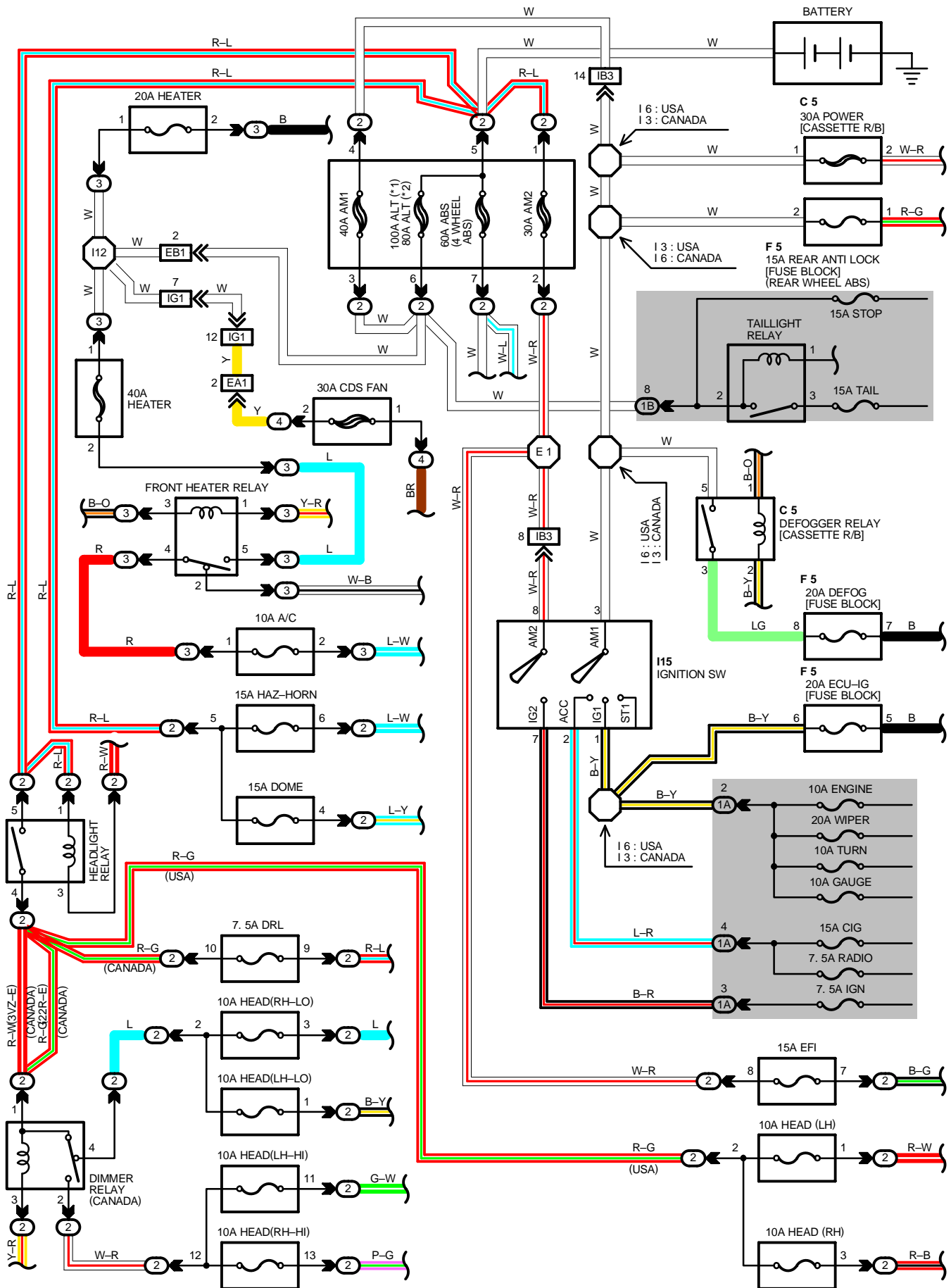


POWER SOURCE

*1 : 22R-E AT
*2 : 3VZ-E, 22R-E MT



SERVICE HINTS

FRONT HEATER RELAY

(3) 4–(3) 5: CLOSED WITH IGNITION SW ON AND BLOWER SW ON

HEADLIGHT RELAY

(2) 4–(2) 5: CLOSED WITH LIGHT CONTROL SW AT **HEAD** POSITION OR DIMMER SW AT **FLASH** POSITION

I15 IGNITION SW

3–2: CLOSED WITH IGNITION KEY AT **ACC** OR **ON** POSITION

3–1: CLOSED WITH IGNITION KEY AT **ON** OR **ST** POSITION

8–7: CLOSED WITH IGNITION KEY AT **ON** OR **ST** POSITION

TAILLIGHT RELAY

2–3: CLOSED WITH LIGHT CONTROL SW AT **TAIL** OR **HEAD** POSITION

DIMMER RELAY (CANADA)

CHANGED FROM HEAD (LO) TO HEAD (HI) WITH DIMMER SW AT **FLASH** POSITION OR WITH HEADLIGHT RELAY ON AND DIMMER SW AT **HIGH** POSITION

○ : PARTS LOCATION

CODE	SEE PAGE	CODE	SEE PAGE	CODE	SEE PAGE
C 5	28	F 5	28	I15	28

○ : RELAY BLOCKS

CODE	SEE PAGE	RELAY BLOCKS (RELAY BLOCK LOCATION)
2	22	R/B NO. 2 (ENGINE COMPARTMENT RIGHT)
3	23	R/B NO. 3 (RIGHT KICK PANEL)
4	23	R/B NO. 4 (BESIDE R/B NO. 2)

○ : JUNCTION BLOCK AND WIRE HARNESS CONNECTOR

CODE	SEE PAGE	JUNCTION BLOCK AND WIRE HARNESS (CONNECTOR LOCATION)
1A	20	COWL WIRE AND J/B NO. 1 (LEFT KICK PANEL)
1B	20	ENGINE ROOM MAIN WIRE AND J/B NO. 1 (LEFT KICK PANEL)

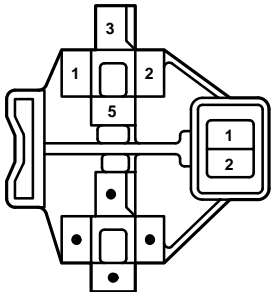
□ : CONNECTOR JOINING WIRE HARNESS AND WIRE HARNESS

CODE	SEE PAGE	JOINING WIRE HARNESS AND WIRE HARNESS (CONNECTOR LOCATION)
EA1	30 (3VZ-E) 32 (22R-E)	COWL WIRE AND A/C SUB WIRE (NEAR THE BATTERY)
EB1	30 (3VZ-E) 32 (22R-E)	COWL WIRE AND ENGINE ROOM MAIN WIRE (R/B NO. 2)
IB3	34	ENGINE ROOM MAIN WIRE AND COWL WIRE (LEFT KICK PANEL)
IG1	34	COWL WIRE AND A/C WIRE (BEHIND GLOVE BOX)

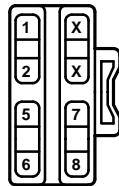
○ : SPLICE POINTS

CODE	SEE PAGE	WIRE HARNESS WITH SPLICE POINTS	CODE	SEE PAGE	WIRE HARNESS WITH SPLICE POINTS
E 1	30 (3VZ-E)	ENGINE ROOM MAIN WIRE	I 6	34	COWL WIRE
	32 (22R-E)		I12		
I 3	34	COWL WIRE			

C 5



F 5



I15 BLACK

