

2017 Buick Truck Encore FWD L4-1.4L Turbo VIN B

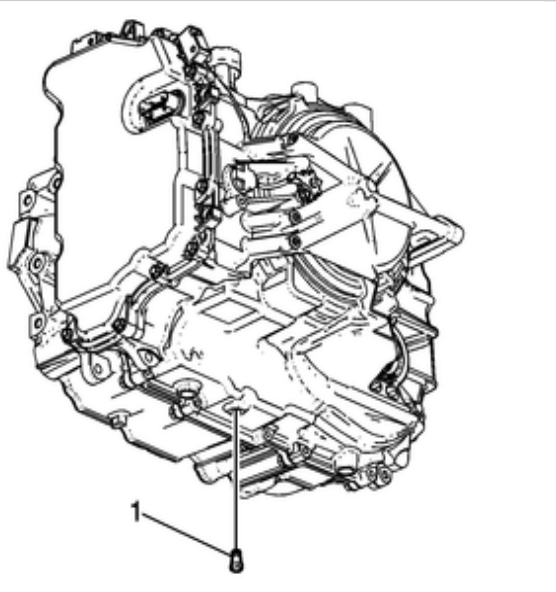
Vehicle > Maintenance > Fluids > Fluid - A/T > Service and Repair > Procedures > 6T40 (MNH MNK) - Automatic Transmission

## TRANSMISSION FLUID DRAIN AND FILL

Document ID: 3710064

### Removal Procedure

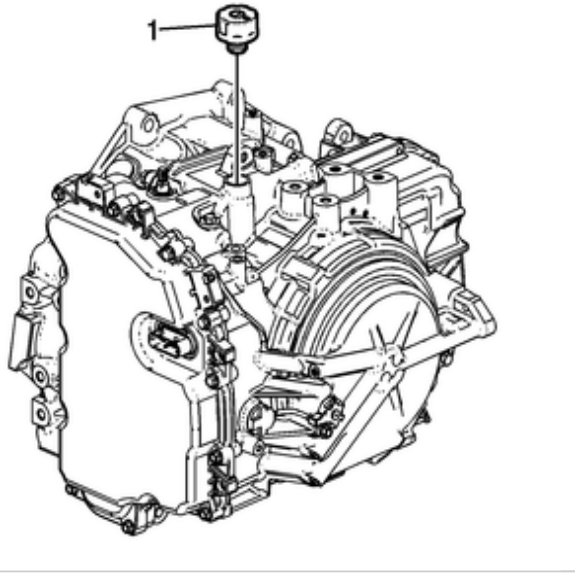
1. Raise and support the vehicle. Refer to [Lifting and Jacking the Vehicle](#).



2. Remove the fluid drain plug (1).
3. Drain transmission fluid into a suitable container.  
**Caution:** Refer to [Component Fastener Tightening Caution](#).
4. Install the fluid drain plug (1) and tighten to **12 Nm (106 lb in)**.

### Installation Procedure

1. Lower the vehicle.



2. Remove the fluid fill cap (1).
3. Fill the transmission to the proper level with the correct fluid. Refer to Transmission Fluid Level and Condition Check and Adhesives, Fluids, Lubricants, and Sealers.
4. Install the fluid fill cap (1).