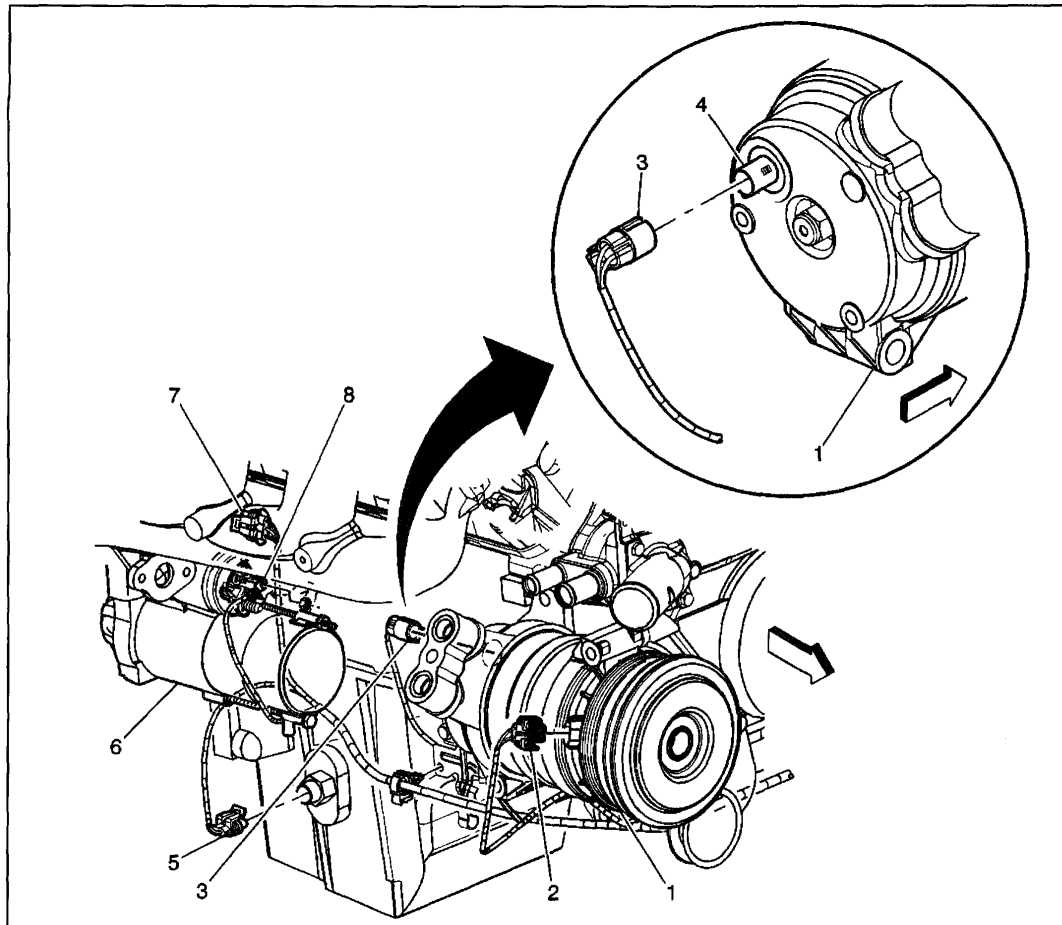


2001 GMC Truck K 1500 Yukon 4WD V8-5.3L VIN T

Vehicle > Powertrain Management > Sensors and Switches - Powertrain Management > Sensors and Switches - Computers and Control Systems > Crankshaft Position Sensor > Locations > Components

CRANKSHAFT POSITION (CKP) SENSOR

A/C Compressor Clutch (4.8L, 5.3L, 6.0L)



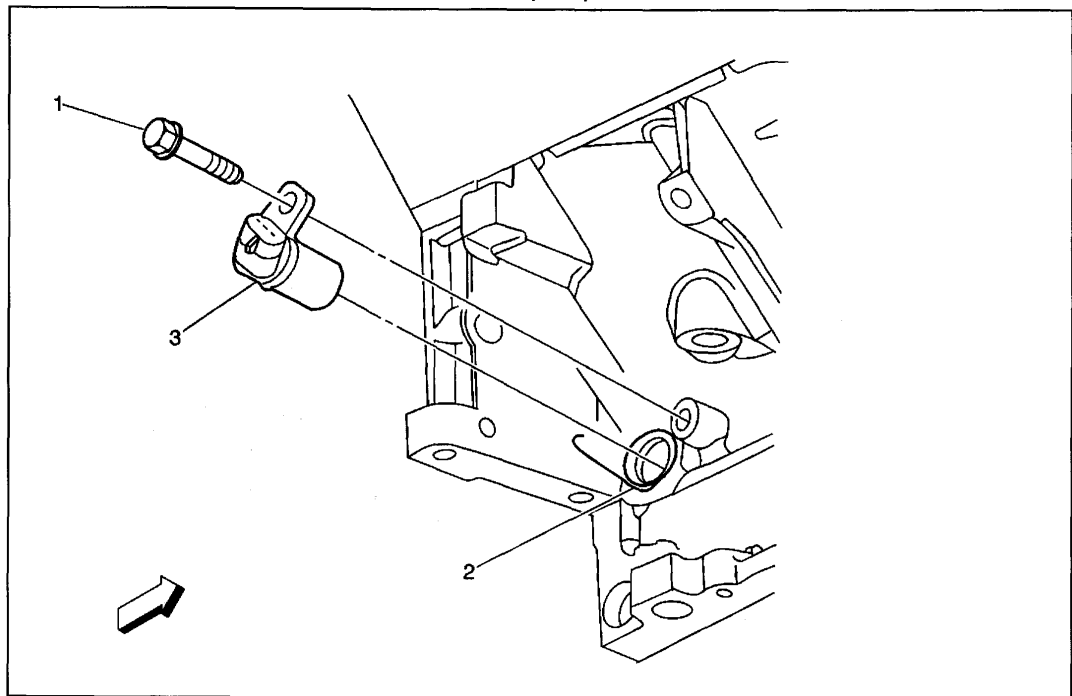
310258

Legend

- | | |
|--|--------------------------------------|
| (1) A/C Compressor Clutch | (5) Engine Oil Level Switch |
| (2) A/C Compressor Clutch Connector | (6) Starter |
| (3) A/C High Pressure Switch Connector | (7) Crankshaft Position (CKP) Sensor |
| (4) A/C High Pressure Switch | (8) Starter Solenoid Connector |

Locations View

Crankshaft Position (CKP) Sensor Location



222858

Legend

- (1) CKP Mounting Bolt
- (2) CKP Mounting Location
- (3) Crankshaft Position (CKP) Sensor