

2004 Chevy Truck Silverado 2500 4WD V8-6.6L DSL Turbo VIN 2

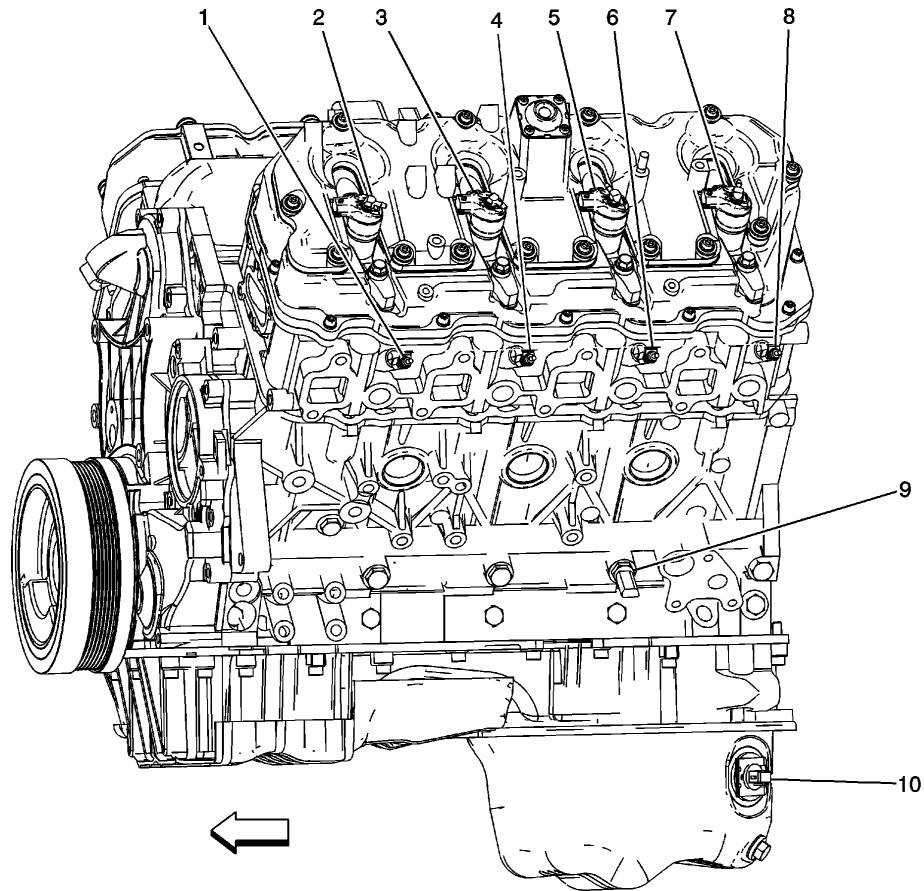
Vehicle > Powertrain Management > Sensors and Switches - Powertrain Management > Sensors and Switches - Computers and Control Systems > Oil Pressure Sensor > Locations > Components

ENGINE OIL PRESSURE SENSOR/SWITCH

ENGINE OIL PRESSURE SENSOR - EOP (RPO LLY)

Left Side of the Engine

Left Side of the Engine



- (1) Glow Plug 2
- (2) Fuel Injector 2
- (3) Fuel Injector 4
- (4) Glow Plug 4
- (5) Fuel Injector 6
- (6) Glow Plug 6
- (7) Fuel Injector 8
- (8) Glow Plug 8
- (9) Engine Oil Pressure (EOP) Sensor
- (10) Engine Oil Level Switch

The Engine Oil Pressure Sensor (EOP) is located on the left rear side of the engine block.