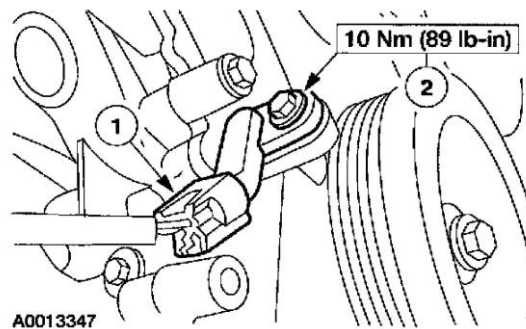


Crankshaft Position Sensor: Service and Repair

CRANKSHAFT POSITION (CKP) SENSOR

REMOVAL

1. Remove the A/C compressor.



2. Remove the crankshaft position (CKP) sensor.

- 1 Disconnect the electrical connector.
- 2 Remove the bolt and the sensor.

INSTALLATION

1. To install, reverse the removal procedure.