

# PRODEMAND

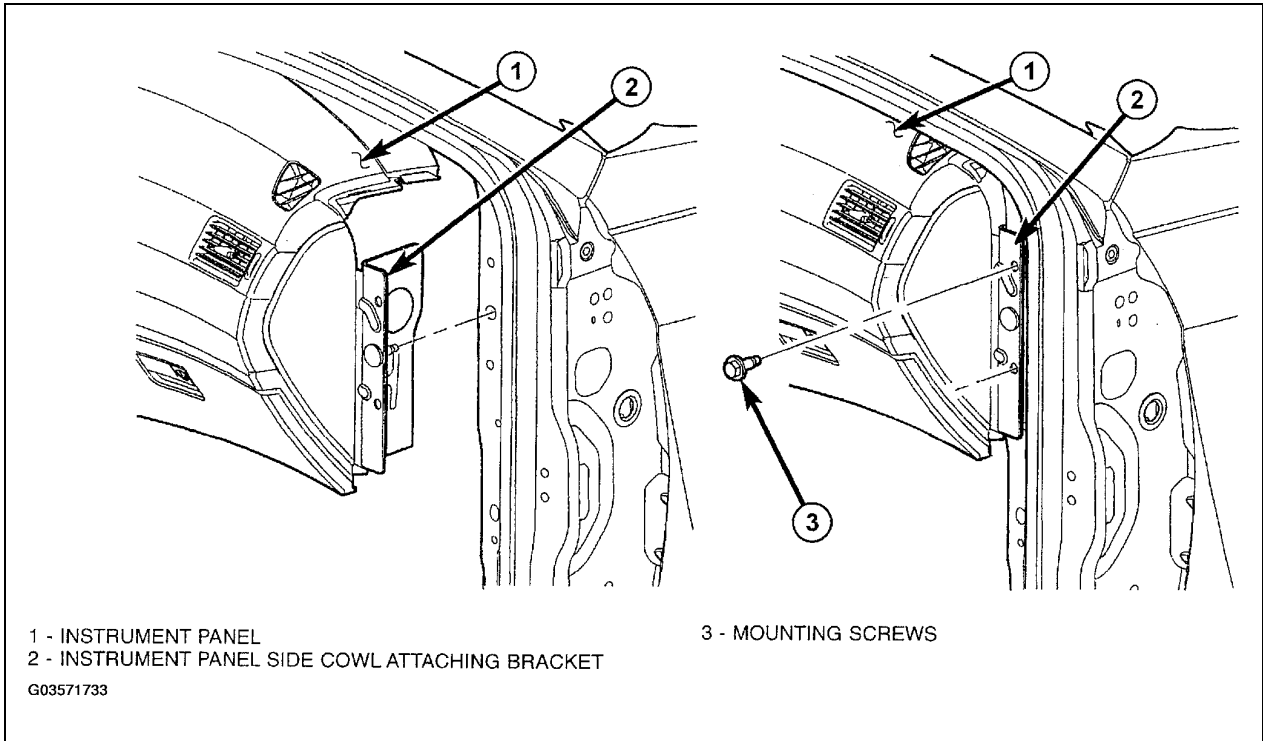
YMMS: 2004 Chrysler Pacifica  
Engine: 3.5L Eng  
VIN:

Aug 8, 2020  
License:  
Odometer:

## **INSTALLATION [ INSTRUMENT PANEL ASSEMBLY ]**

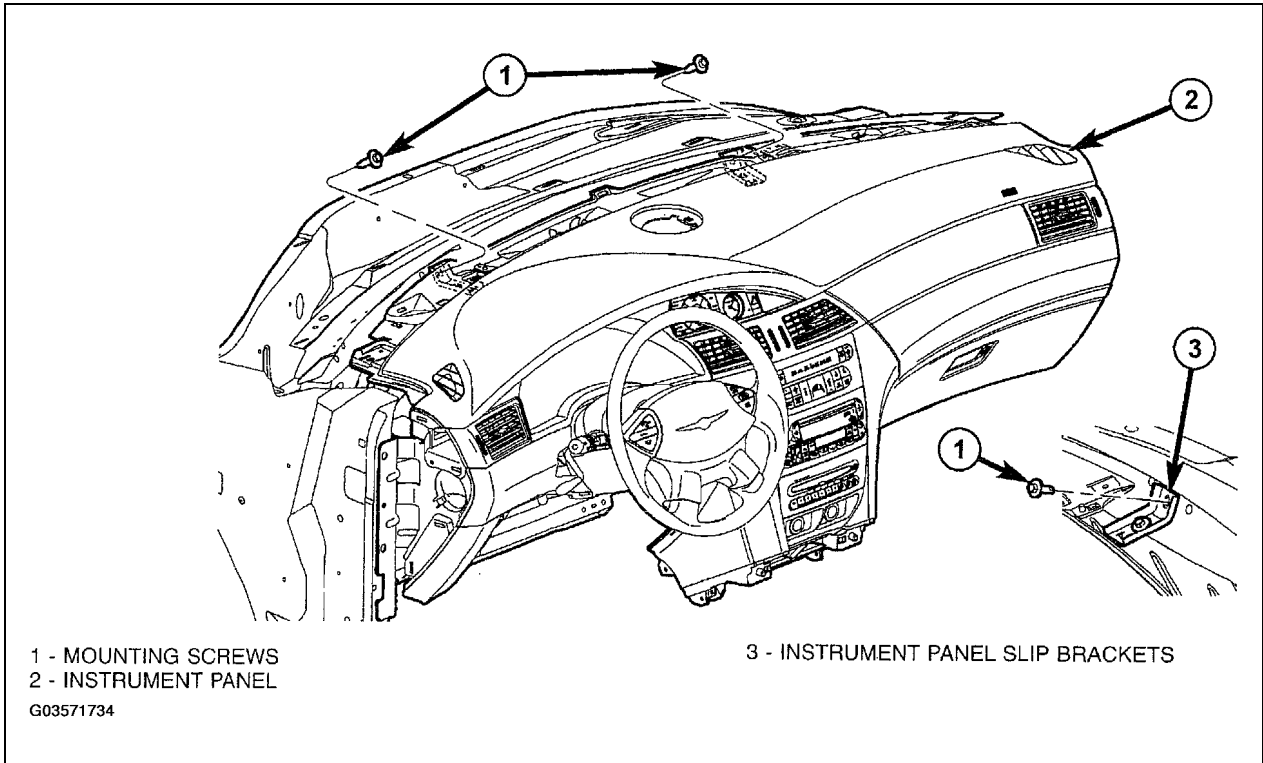
1. With the help of an assistant place the instrument panel into vehicle inserting instrument panel locator pins into body. As you install the instrument panel, lift the instrument panel up so the duct work does not bind or bend and you can set it down on the HVAC housing to get the proper seal at the distribution duct. Get one bolt started in the dash panel.
2. Install instrument panel side cowl bracket right and left side mounting screws (Fig 11 ).
3. Install (2) screws attaching the instrument panel frame, to the dash panel below windshield opening (Fig 12 ).
4. Connect right side electrical connector at A-pillar.
5. Connect (3) electrical connectors behind cowl panel.
6. Connect HVAC electrical connectors.
7. Install top cover (Figure ). (Refer to INSTRUMENT PANEL TOP COVER ).
8. Install the glove box:
  - a. Connect glove box lamp through opening.
  - b. Set glove box into opening push into position.
9. Connect the airbag module electrical connector.
10. Connect the antenna lead connector. (Refer to ANTENNA CABLE ).
11. Install both cowl side trim panel. (Refer to COWL SIDE TRIM PANEL ).

Fig 11: Removing Side Cowl Attaching Bracket



Courtesy of DAIMLERCHRYSLER CORP.

Fig 12: Removing Instrument Panel Slip Brackets



Courtesy of DAIMLERCHRYSLER CORP.

12. Install both front door sill scuff plates. (Refer to FRONT DOOR SILL SCUFF PLATE ).

13. Install instrument panel end caps. (Refer to INSTALLATION ).
14. Install both left and right side A-pillar trim. (Refer to A-PILLAR TRIM ).
15. Install shift interlock cable. (Refer to SHIFT INTERLOCK CABLE ).
16. Install steering column retaining nuts (Figure ).
17. Connect brake light wiring connectors.
18. Install instrument panel reinforcement (Figure ).
19. Connect steering column pinch bolt and retaining nuts (4). (Refer to INTERMEDIATE SHAFT ).
20. Connect steering column wiring connectors.
21. Install upper and lower steering column shrouds. (Refer to SHROUD - LOWER ) and (Refer to SHROUD - UPPER ).
22. Connect body control module wiring connectors.
23. Connect bulkhead wiring harness connectors.
24. Install screws attaching braking brake handle onto brake park release bracket.
25. Press on instrument panel trim outlet plate to engage clips.
26. Install two screws attaching instrument panel trim plate (Figure ).
27. Install inflatable knee blocker four mounting screws.
28. Install steering column opening cover. (Refer to INSTALLATION ).
29. Install nuts attaching the floor braces to instrument panel (Figure ). (Refer to INSTALLATION )
30. Install two screws attaching front floor console L-brackets to instrument panel. (Refer to FLOOR CONSOLE BASE ASSEMBLY ).
31. Install screws attaching front floor console to instrument panel. (Refer to FRONT FLOOR CONSOLE ).
32. Install center console closeout panels. (Refer to CENTER CONSOLE CLOSEOUT PANEL ).
33. Connect battery negative cable.