

PRODEMAND

YMMS: 2004 Chrysler Pacifica
Engine: 3.5L Eng
VIN:

Aug 8, 2020
License:
Odometer:

HVAC HOUSING > REMOVAL

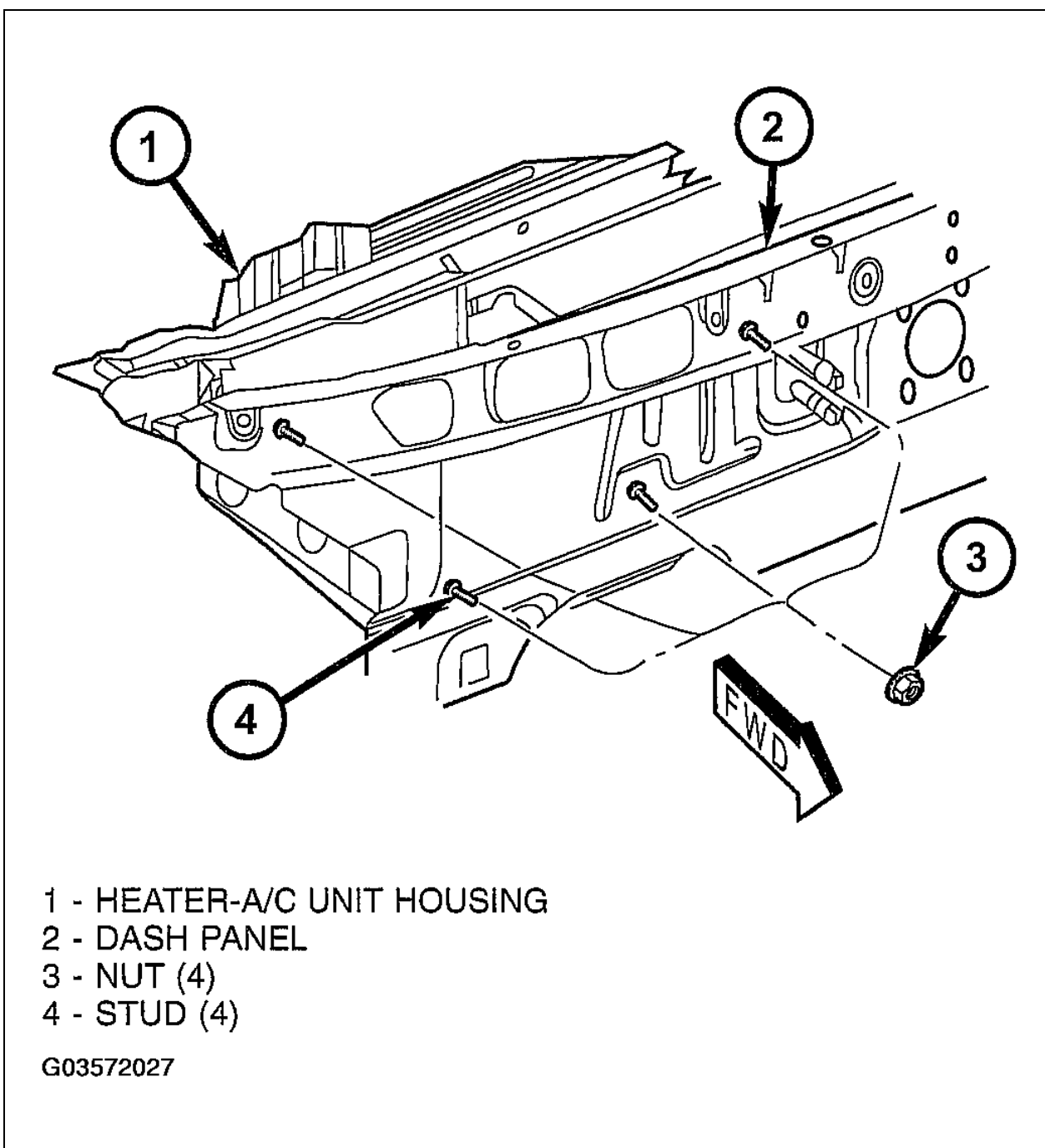
Tip: HVAC housing removal - misleading figure

WARNING: REFER TO THE APPLICABLE WARNINGS AND CAUTIONS FOR THIS SYSTEM BEFORE PERFORMING THE FOLLOWING OPERATION (Refer to WARNING), (Refer to CAUTION - A/C PLUMBING), and (Refer to WARNING - A/C PLUMBING).

WARNING: ON VEHICLES EQUIPPED WITH AIRBAGS, DISABLE THE AIRBAG SYSTEM BEFORE ATTEMPTING ANY STEERING WHEEL, STEERING COLUMN, OR INSTRUMENT PANEL COMPONENT DIAGNOSIS OR SERVICE. DISCONNECT AND ISOLATE THE BATTERY NEGATIVE (GROUND) CABLE, THEN WAIT TWO MINUTES FOR THE AIRBAG SYSTEM CAPACITOR TO DISCHARGE BEFORE PERFORMING FURTHER DIAGNOSIS OR SERVICE. THIS IS THE ONLY SURE WAY TO DISABLE THE AIRBAG SYSTEM. FAILURE TO TAKE THE PROPER PRECAUTIONS COULD RESULT IN ACCIDENTAL AIRBAG DEPLOYMENT AND POSSIBLE PERSONAL INJURY.

1. Recover the refrigerant from the refrigerant system (Refer to STANDARD PROCEDURE - REFRIGERANT RECOVERY).
2. Drain the engine cooling system (Refer to).
3. Disconnect and isolate the battery negative cable.
4. Disconnect the liquid line and suction line from the expansion valve (Refer to REMOVAL) and (Refer to REMOVAL).
5. Disconnect the heater hoses from the heater air tubes (Refer to REMOVAL).
6. Remove the four nuts that secure the heater-A/C unit housing studs to the engine compartment side of the dash panel (Fig 1).

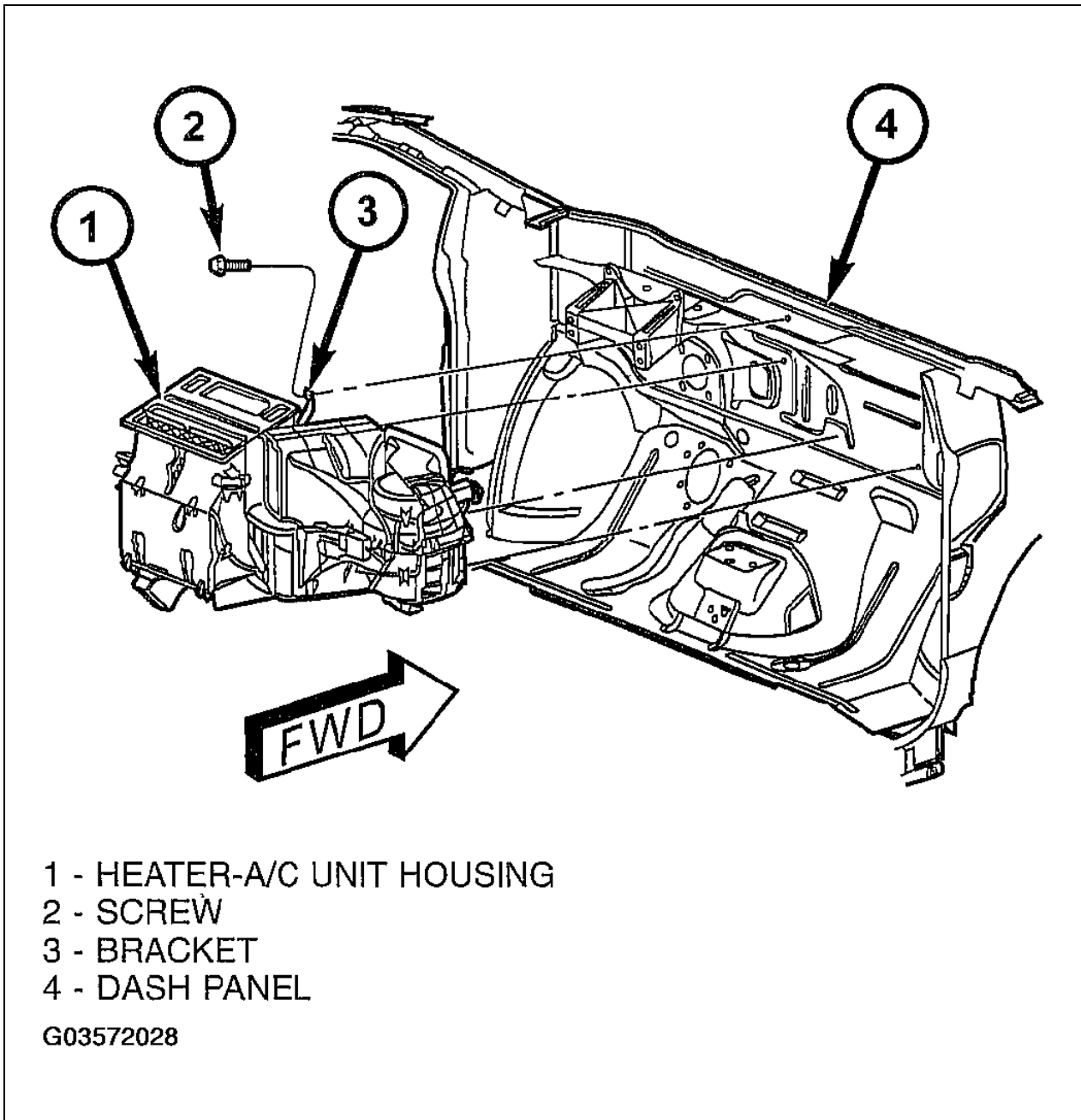
Fig 1: Identifying Heater-A/C Unit Housing Studs



Courtesy of DAIMLERCHRYSLER CORP.

7. Remove the instrument panel from the passenger compartment (Refer to REMOVAL).
8. Remove the two screws that secures the heater-A/C unit housing bracket to the passenger compartment side of the dash panel (Fig 2).

Fig 2: Identifying Heater-A/C Unit Housing Components



Courtesy of DAIMLERCHRYSLER CORP.

9. Pull the heater-A/C unit housing rearward far enough for the mounting studs to clear the dash panel and remove the unit from the passenger compartment.