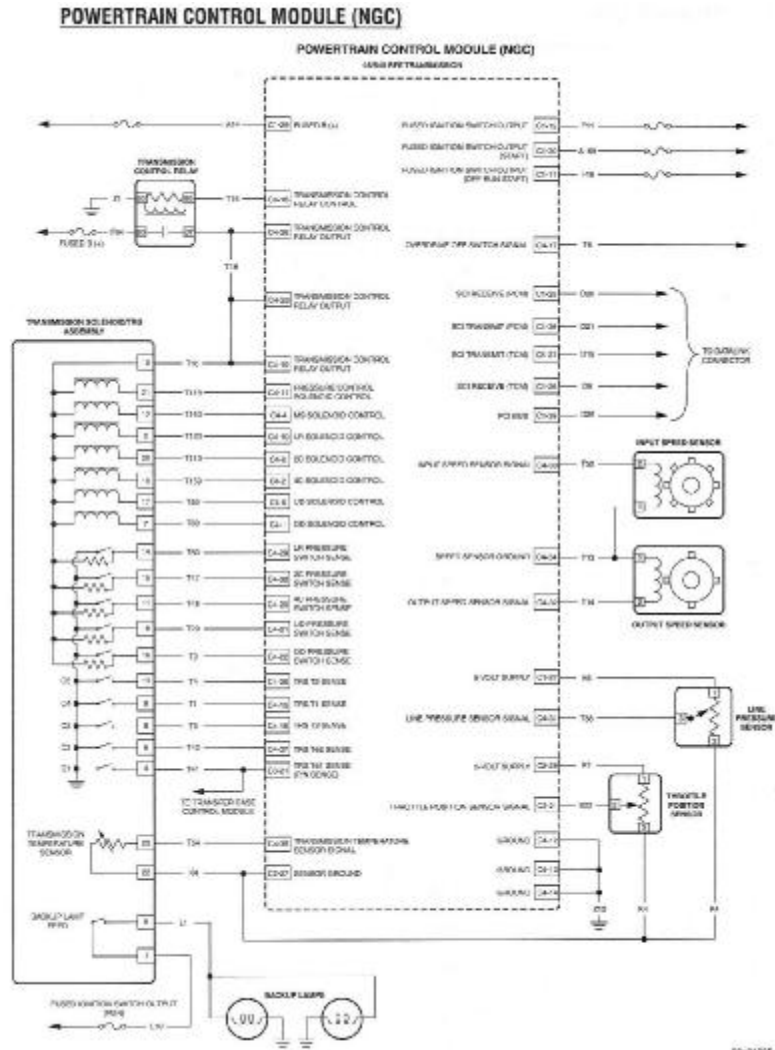
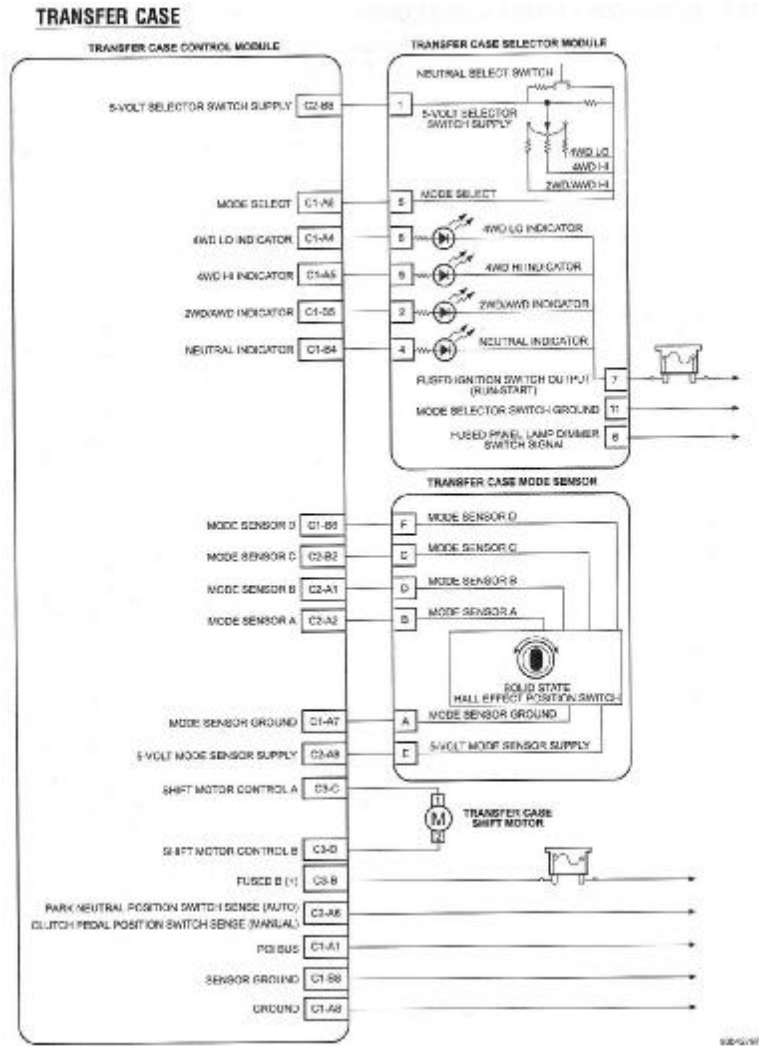


3.9L AN And AN84 California



Powertrain Control Module (NGC)



Transfer Case