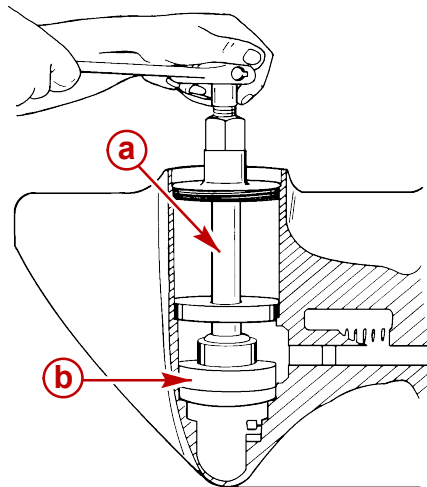


3. Install the bearing cup and forward gear shims using the special tools as shown.



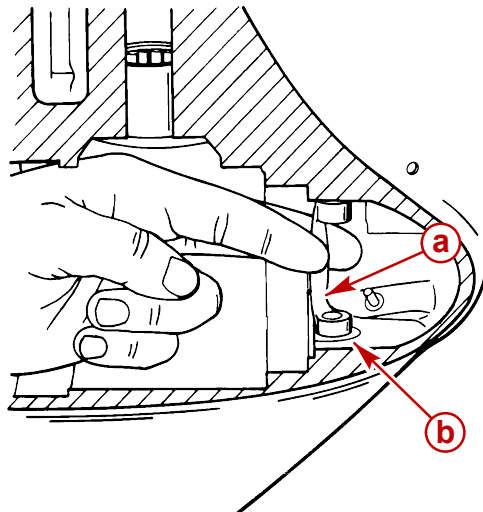
74009

- a** - Bearing Installation Tool (91-18605A1)
- b** - Cup Driver (91-31106)

Shift Shaft Assembly

INSTALLATION

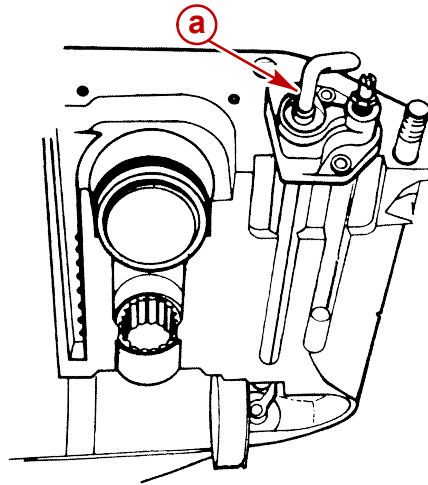
1. Place the shift crank onto the locating pin in the forward section of the gear housing. Ensure that the shift crank faces towards the left (port) side of the gear housing.



50314

- a** - Shift Crank
- b** - Locating Pin

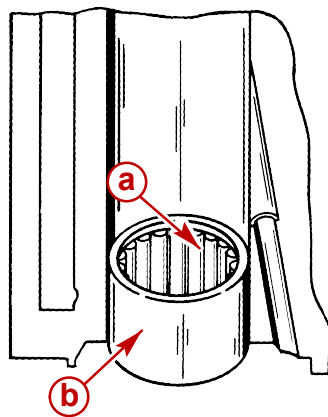
2. Install the shift shaft assembly into the gear housing as shown. Position the bent end of the shift shaft forward while installing it and ensure that the splined end of the shift shaft is engaged with the shift crank. Make sure that the O-rings are present and positioned properly. Install fasteners.



70620

a - Shift Shaft Assembly

NOTE: If the pinion bearing needles have fallen out, install 18 needles into needle bearing outer race. Use Quicksilver Needle Bearing Assembly Lubricant, to help hold needles in place.



23142

a - Needles (18)
b - Roller Bearing Outer Race