

PRODEMAND

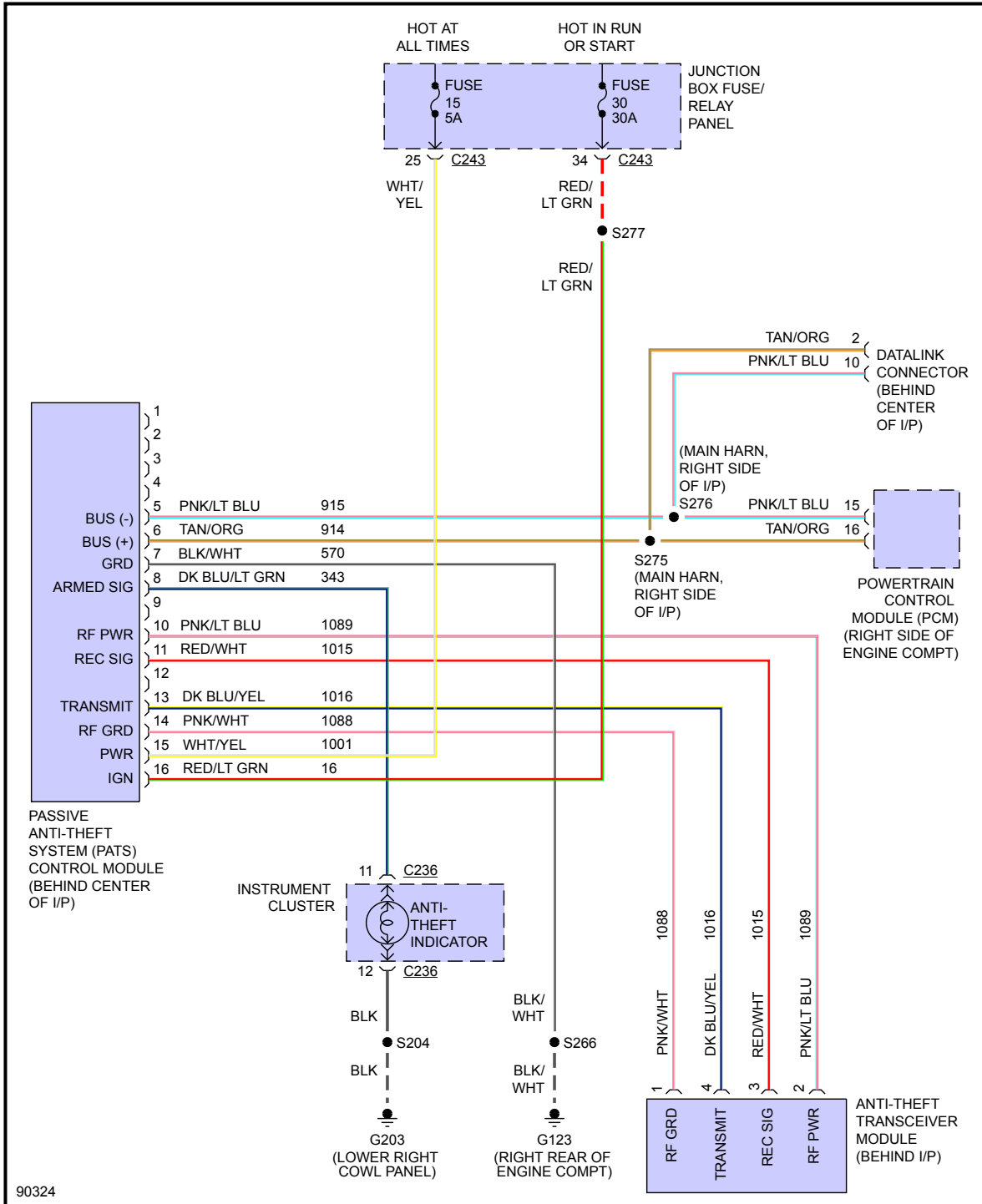
YMMS: 1997 Ford Expedition
Engine: 5.4L Eng
VIN:

Oct 12, 2021

License:
Odometer:

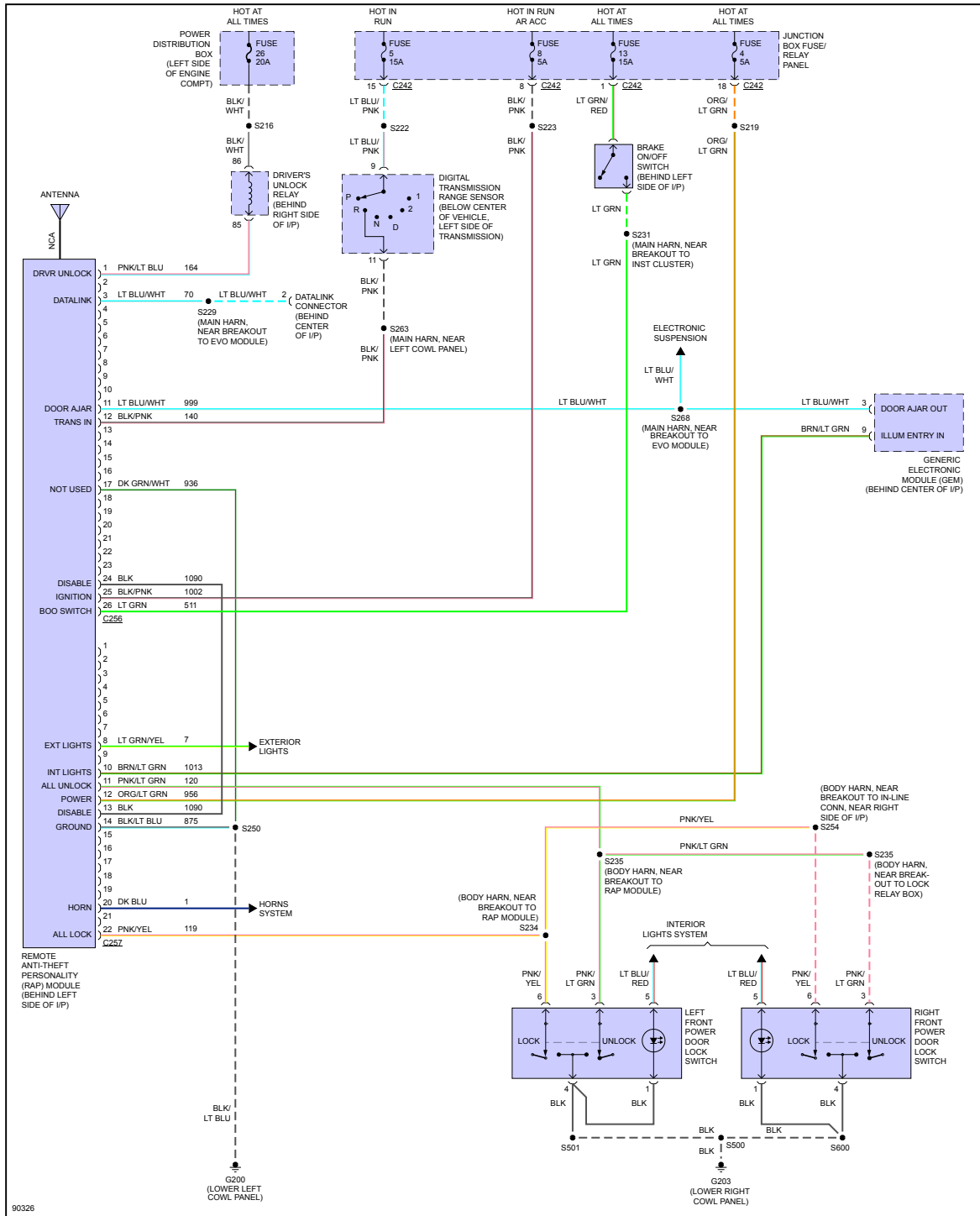
ANTI-THEFT

Fig 1: Anti-theft Circuit, PATS



90324

Fig 2: Anti-theft Circuit, RAP



ENGINE PERFORMANCE > 5.4L

Fig 1: 5.4L, Engine Performance Circuit (1 of 4)

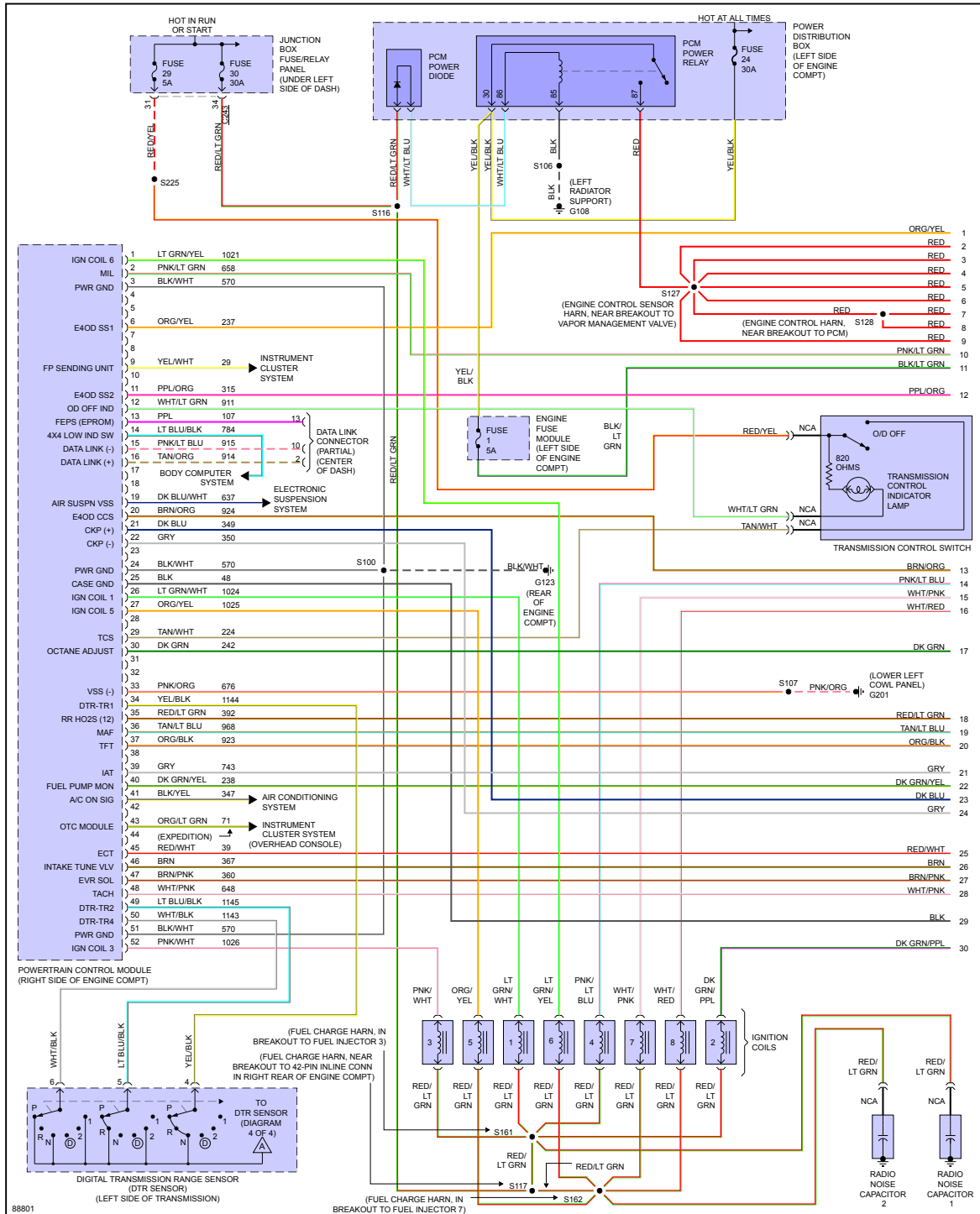


Fig 2: 5.4L, Engine Performance Circuit (2 of 4)

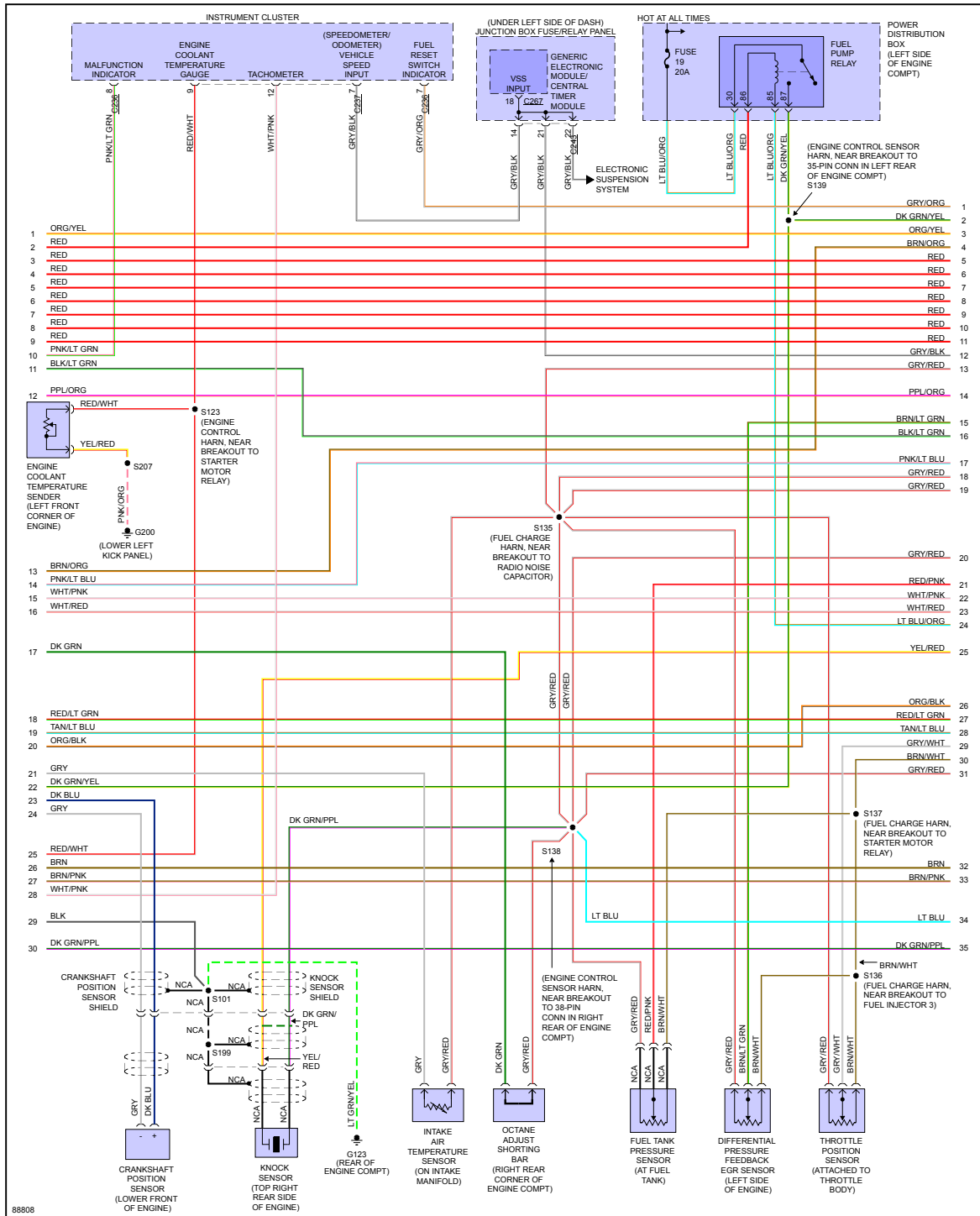


Fig 3: 5.4L, Engine Performance Circuit (3 of 4)

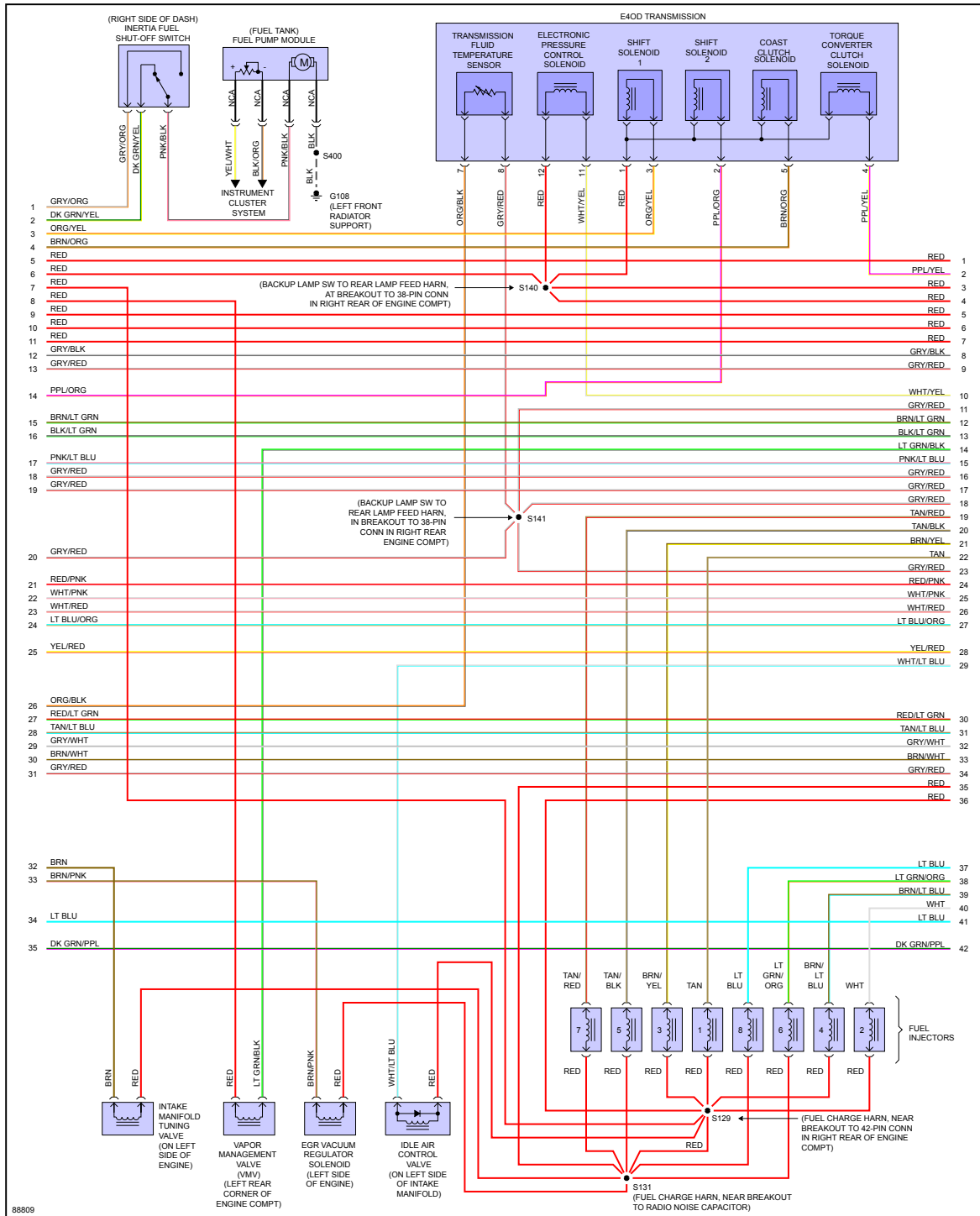


Fig 4: 5.4L, Engine Performance Circuit (4 of 4)

