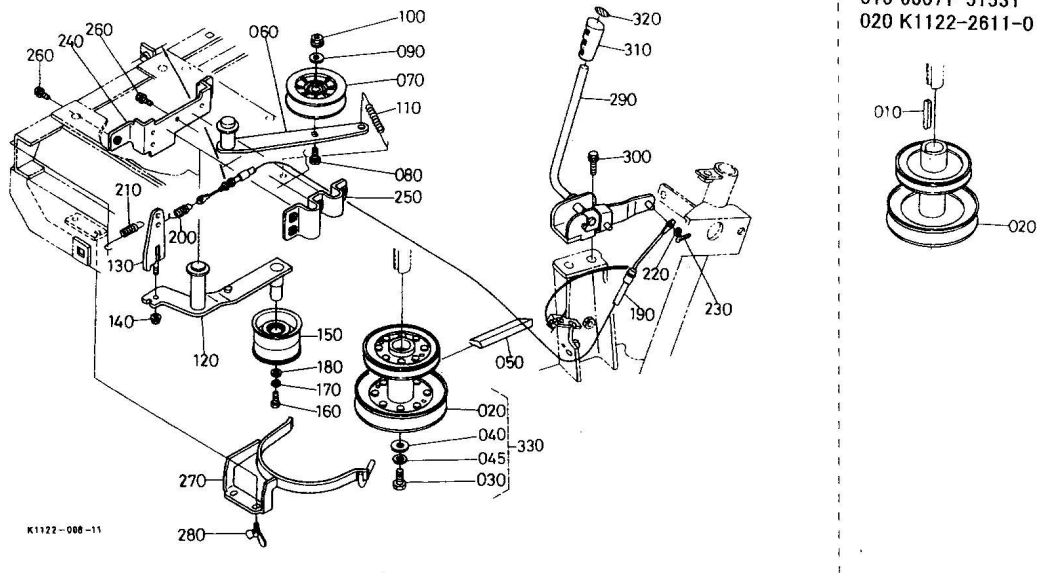


T1560 -> SPEED CHANGE -> G02300 TENSION PULLEY/PTO LEVER ## T1560

Update Date: 07/29/2013, Printing Date: 06/23/2018



T1560 -> SPEED CHANGE -> G02300 TENSION PULLEY/PTO LEVER ## T1560

Update Date: 07/29/2013, Printing Date: 06/23/2018

Interchangeable =, Not Interchangeable NI, New for Old >>, Old for New <<

No	Part Number	Part Name	Qty	RoundUp	IC	S/N	Remarks	Kg
010	66071-51531	KEY ENGINE	1				DELETE	0.0
020	K1122-26110	PULLEY,ENGINE	1					2.794
020	K1122-26114	PULLEY ENGINE	1					0.0
030	01754-51025	BOLT,FLANGE	1				(M10 X 1.5 X 25)	0.055
030	01053-51065	HEX.BOLT	1					0.11
040	04015-50100	WASHER,PLAIN	1					0.0396
040	75599-32013	WASHER,PLAIN(3/8)	1					0.066
045	04512-50100	WASHER,SPRING LOCK	1					0.0066
050	K1122-26130	V-BELT,TYPE	1				(1/4).88	0.528
060	K1122-26220	ARM,TENSION	1					0.704
070	K1122-26210	PULLEY,TENSION HST	1					0.33

T1560 -> SPEED CHANGE -> G02300 TENSION PULLEY/PTO LEVER ## T1560

Update Date: 07/29/2013, Printing Date: 06/23/2018

Interchangeable =, Not Interchangeable NI, New for Old >>, Old for New <<

No	Part Number	Part Name	Qty	RoundUp	IC	S/N	Remarks	Kg
080	0Y169-50828	BOLT,SHORT SQU.NECK(1/2-20UNF)	1				(1/2-20UNF)	0.132
090	75599-32015	WASHER,PLAIN(1/2)	1				(1/2)	0.022
100	0Y274-50080	NUT,FLANGE(1/2- 20UNF)	1				(1/2-20UNF)	0.0044
110	K1122-26250	SPRING,TENSION HST	1					0.055
120	K1122-26320	ARM,TENSION	1					1.518
130	K1122-26330	ARM,TENSION	1					0.242
140	02751-50080	NUT,FLANGE	1				(M8 X 1.25)	0.0132
150	K1122-26310	PULLEY,TENSION(PTO)	1					0.814
160	01053-50818	HEX.BOLT	1				(M8 X 1.25 X 18)	0.0242
170	75599-33012	WASHER,SPRING LOCK(5/16)	1				(5/16)	0.0044
180	K5112-72830	WASHER,PLAIN	1					0.011
190	K1122-46124	WIRE PTO	1					0.0
200	K1122-26370	SPRING,PTO	1					0.099
210	K1122-26380	SPRING,RETURN	1					0.022
220	75599-32012	WASHER,PLAIN(5/16)	1				(5/16)	0.0044
230	75599-53171	PIN,COTTER(1/8*1/2)	1				(1/8 X 1/2)	0.0022
240	K1122-26392	BRACKET TENSION	1					0.0
250	K1122-26350	HOLDER,TENSION	1					0.374
260	01754-50820	BOLT,FLANGE	6				(M8 X 1.25 X 20)	0.033
270	K1122-26410	RETAINER,BELT	1					0.616
280	01811-50815	BOLT,WING	2				(M8 X 1.25 X 15)	0.055
290	K1122-46130	LEVER PTO COMP	1					1.76
300	01754-50820	BOLT,FLANGE	2				(M8 X 1.25 X 20)	0.033
310	K1122-46110	GRIP,LEVER(PTO)	1					0.088
320	K1122-65230	MARKING(GRIP PTO)	1					0.0022
330	K1122-96260	KIT ENGINE PULLEY	1					2.2