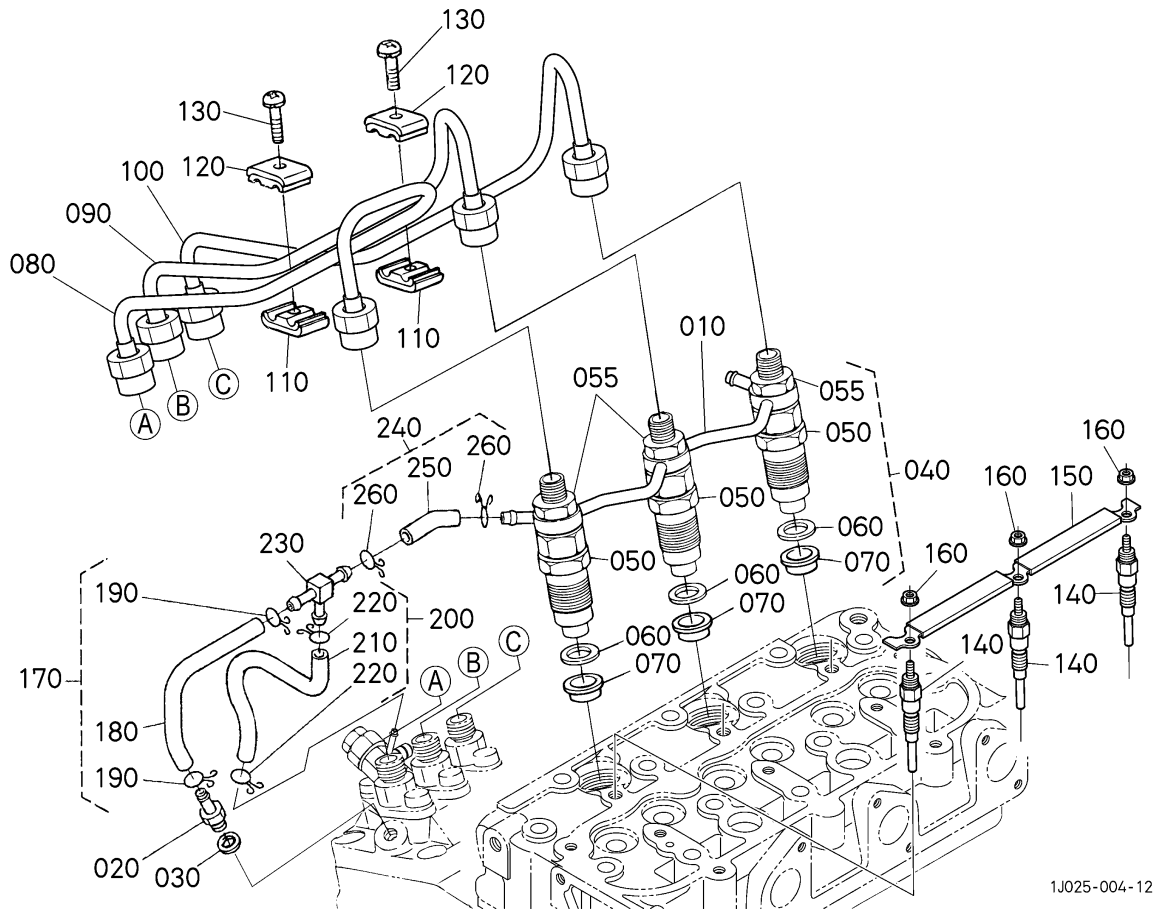


BX2370 -> ENGINE -> 120600 NOZZLE HOLDER AND GLOW PLUG ## D902-E4-BX-1

Update Date: 09/29/2015, Printing Date: 04/07/2017



1J025-004-12

BX2370 -> ENGINE -> 120600 NOZZLE HOLDER AND GLOW PLUG ## D902-E4-BX-1

Update Date: 09/29/2015, Printing Date: 04/07/2017

Interchangeable =, Not Interchangeable NI, New for Old >>, Old for New <<

No	Part Number	Part Name	Qty	RoundUp	IC	S/N	Remarks	Kg
010	1G962-42500	ASSY PIPE,OVER FLOW	1					0.1078
020	15841-51360	SCREW, BLEATHER	1					0.0176
030	15601-96650	PACKING	1					0.0022
040	16871-53904	HOLDER,NOZZLE,KIT	3					0.319
050	16871-53002	HOLDER,NOZZLE,ASSY	3					0.286
055	1G826-92032	NUT	3					0.0088
060	15841-53622	GASKET	3					0.0044
070	19077-53650	SEAL HEAT	3					0.0044
080	1J091-53710	PIPE( INJECTION)	1					0.2244
090	1J091-53720	PIPE( INJECTION)	1					0.2266
100	1J094-53730	PIPE(INJECTION)	1					0.2266

BX2370 -> ENGINE -> 120600 NOZZLE HOLDER AND GLOW PLUG ## D902-E4-BX-1

Update Date: 09/29/2015, Printing Date: 04/07/2017

Interchangeable =, Not Interchangeable NI, New for Old >>, Old for New <<

No	Part Number	Part Name	Qty	RoundUp	IC	S/N	Remarks	Kg
110	15841-53850	CLAMP,PIPE	2					0.0176
120	15841-53860	CLAMP,PIPE	2					0.0176
130	03024-50520	SCREW,SEMS(PAN HEAD)	2					0.0088
140	1G679-65512	PLUG,GLOW	3					0.0352
150	1G962-65560	CORD,GLOW PLUG	1					0.0198
160	02761-50040	NUT,FLANGE	3					0.0044
170	16809-42030	TUBE,FUEL,ASSY	1					0.011
180	09661-40085	TUBE,FUEL	1					0.0132
190	14971-42750	CLIP,PIPE	2					0.0022
200	16809-42500	TUBE,FUEL,ASSY	1					0.0154
210	09661-40130	TUBE,FUEL	1					0.0022
220	14971-42750	CLIP,PIPE	2					0.0022
230	1G065-42360	JOINT,T-PIPE	1					0.0022
240	16809-42020	TUBE,FUEL,ASSY	1					0.0044
250	09661-40040	TUBE,FUEL	1					0.011
260	14971-42750	CLIP,PIPE	2					0.0022