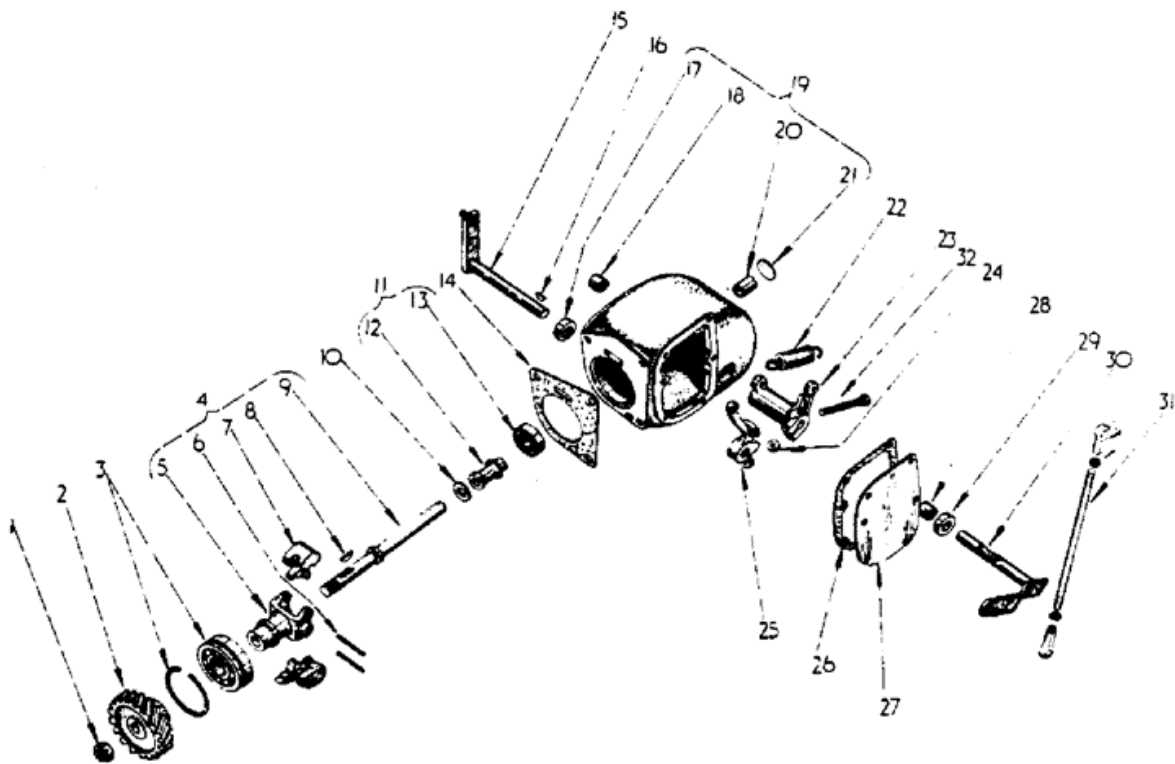




PARTS & MERCHANDISE
STORE

Case IH Customer Relations_
NACustomerRelations@caseih.com_, Wisconsin_
877-422-7344 x1

(434) - MCCORMICK-INTERNATIONAL DIESEL TRACTOR (1/64-12/72) > (2-10) - GOVERNOR UNIT - GAS ENGINE



TS6-6C



PARTS & MERCHANDISE
STORE

Case IH Customer Relations _
NACustomerRelations@caseih.com _ , Wisconsin _
877-422-7344 x1

(434) - MCCORMICK-INTERNATIONAL DIESEL TRACTOR (1/64-12/72) > (2-10) - GOVERNOR UNIT - GAS ENGINE

Diag #	Part #	Name	Description	Qty
1	451074		NUT, jam, hex., 9/16" UNF	1
2	3043832R1		GEAR, governor (33 T)	1
3	703612R91	NO LONGER SERVICED	BEARING, governor shaft (S.K.F.) optional	1
	ST289	BEARING, BALL,25mm ID x 62mm OD x 17mm W	BEARING, governor shaft (I.H.C.) optional	1
	45774D	BALL BEARING	BEARING, governor shaft (N.D.) optional	1
	700540R91	BALL BEARING	BEARING, governor shaft (Fischer) optional	1
	700541R91	NO LONGER SERVICED	BEARING, governor shaft (R	1
	3040120R91	NO LONGER SERVICED	BEARING governor shaft (Hoffman) optional	1
4	3043838R91	WEIGHT	CARRIER, and WEIGHT assy., governor, comprising	1
	360535R1		CARRIER	1
	124547	WOODRUFF KEY,#7, 1/8" x 3/4", HT	WOODRUFF KEY,#7, 1/8" x 3/4", HT	1
	45656DA	PIN,6.35mm OD x 38.1mm L	PIN,6.35mm OD x 38.1mm L	2
	3043836R1		SHAFT	1
	3043837R1		WEIGHT	2
5	360535R1		CARRIER governor weight optional	1
5	48256DA	CARRIER	cpte., governor weight optional	1
6	45656DA	PIN,6.35mm OD x 38.1mm L	governor weight	2
7	3043837R1		WEIGHT, governor	2
8	124547	WOODRUFF KEY,#7, 1/8" x 3/4", HT	WOODRUFF KEY,#7, 1/8" x 3/4", HT	1
9	3043836R1		SHAFT, governor	1
10	3043835R1		WASHER, governor sleeve thrust	1
11	351910R91	BEARING ASSY	SLEEVE w/BEARING ST506 and SLEEVE 48250D assy., governor and bearing thrust	1
12	48250D	SLEEVE	governor	1
13	ST506	BALL BEARING,17 mm ID x 40 mm OD x 12 mm	BEARING governor thrust (I.H.C.) optional	1
13	700310R91		BEARING governor thrust (R	1
13	3040121R91		BEARING governor thrust (S.K.F.) optional	1
13	3040122R91		BEARING governor thrust (Hoffman) optional	1
14	3044212R1	GASKET	governor housing	1
15	3043840R91		LEVER w/PIN 706204R1 cpte., governor speed change	1

Diag #	Part #	Name	Description	Qty
	706204R1		PIN, governor speed change lever-ball	1
16	106749	KEY	Woodruff, No. 3, 1/8" x 1/2"	1
17	45667D	SEAL	OIL SEAL, governor housing optional	1
17	357968R91	SEAL	OIL SEAL governor housing optional	1
18	3043848R91		BEARING rockshaft R.H.	1
19	3043849R11		HOUSING cpte., governor, comprising	1
	45775D	NEEDLE BEARING,Needle, 12.74mm ID x 17.48mm OD x 12.7mm W	NEEDLE BEARING,Needle, 12.74mm ID x 17.48mm OD x 12.7mm W	1
	3043848R91		BEARING	1
	48227D	BUSHING	BUSH	1
	41-3014	PLUG,Exp, 7/8"	PLUG,Exp, 7/8"	1
	45667D	SEAL	OIL SEAL	2
	179838	BOLT,Hex, 3/8" - 16 x 7/8", Gr 5, Full Thd	BOLT,Hex, 3/8" - 16 x 7/8", Gr 5, Full Thd	3
20	48227D	BUSHING	BUSH, governor housing	1
21	172540	PULLEY	expansion, 7/8" dia.	1
22	3045514R1		SPRING governor	1
23	3043847R11		LEVER w/two PINS 48254D cpte. governor rockshaft	1
	3043842R1		BOLT soc-hd., 3/16"-24 x 7/8"	1
	48254D		PIN thrust, governor rockshaft lever	2
	115546	WASHER,Int Tooth, #12	LOCK, Int, Tooth, #12	1
24	3043843R1		KEY, governor rockshaft lever	1
25	3043841R1		LEVER governor spring	1
	179797	BOLT,Hex, 1/4" - 20 x 1", Gr 5	BOLT,Hex, 1/4" - 20 x 1", Gr 5	1
	413-414	BOLT,Hex, 1/4" - 20 x 7/8", Gr 5	hex-hd., 1/4" x 7/8"	1
	109084	NUT,1/4"-20, G5	NUT,1/4"-20, G5	1
	103319	LOCK WASHER,1/4"	WASHER, LOCK, 1/4"	1
26	3044211R1	GASKET	governor housing cover	1
27	3043833R1		COVER, governor housing	1
	10958D		BOLT, governor housing cover	2
	179816	BOLT,Hex, 5/16" - 18 x 3/4", Gr 5	hex-hd., 5/8" x 3/4"	4
	86729275	LOCK WASHER,5/8" ID x 0.634" OD x .156" Thk CST ZND	WASHER, LOCK, 5/8"	6
28	45775D	NEEDLE BEARING,Needle, 12.74mm ID x 17.48mm OD x 12.7mm W	rockshaft, L.H.	1
29	45667D	SEAL	OIL SEAL governor housing optional	1
29	357968R91	SEAL	OIL SEAL, governor housing optional	1
30	3043846R91	LEVER	w/PIN 706204R1 cpte., carburetor control	1

Diag #	Part #	Name	Description	Qty
	706204R1		PIN carburetor control lever ball	1
31	3070914R91	ROD	cp te., governor to carburetor control	1
	3070915R1	ROD	carburetor control	1
	3068537R1	TRUNNION	END, carburetor control rod	2
	114501	JAM NUT,Jam, 1/4"-20, G5	JAM NUT,Jam, 1/4"-20, G5	2
32	3048289R1		BOLT governor spring lever - long	1
	109084	NUT,1/4"-20, G5	NUT,1/4"-20, G5	1