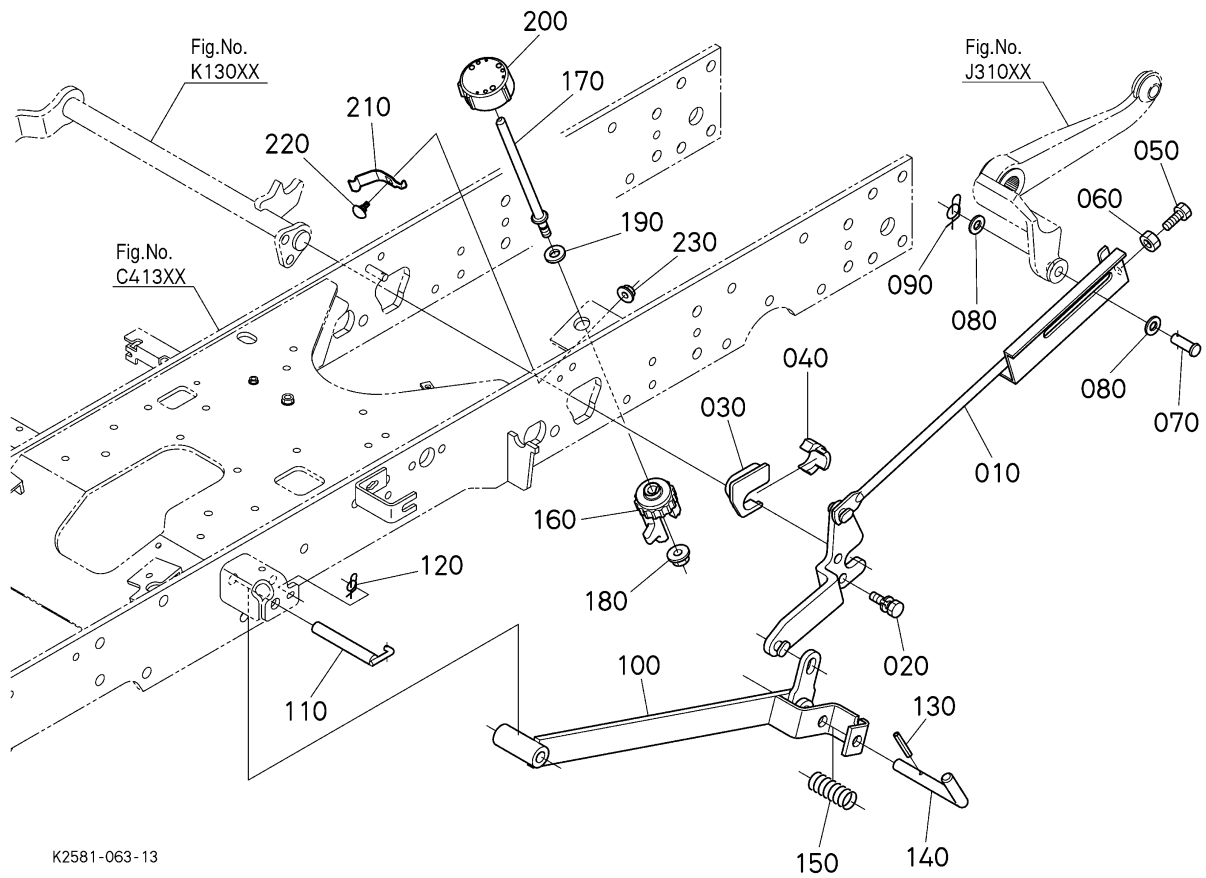


BX25 -> TOP LINK/TOP LINK BRACKET/PTO PROTECTOR -> K13100 MOWER REAR LINK LH ## BX25

Update Date: 08/25/2014, Printing Date: 03/25/2016



K2581-063-13

Interchangeable =, Not Interchangeable NI, New for Old >>, Old for New <<

No	Part Number	Part Name	Qty	IC	S/N	Remarks	lbs
010	K2581-44210	LINK,REAR LIFT LH	1				0.0
020	01133-51230	BOLT,SEMS	2				0.088
030	K2581-44270	BOSS,LIFT UPPER	1				0.0
040	K2581-44282	BOSS,LIFT LOWER	1				0.1496
050	01175-51250	HEX.BOLT	1				0.11
060	02174-50120	HEX.NUT	1				0.022
070	05122-51235	PIN,JOINT	1				0.0748
080	04013-60120	WASHER,PLAIN	2				0.022
090	K1211-91140	PIN,SNAP(RUE RING)	1		<=61627		0.0044
090	K1211-91142	RUE-RING(COTTER,1/2)	1	>>	>=61628		0.0044
100	K2581-44310	LINK,REAR	1				5.148
110	K2581-44330	ROD,MOWER LINK	1				0.0
110	K2581-44332	ROD(MOWER LINK)	1	=			0.0
120	K1211-91110	PIN,SNAP(RUE RING)	1		<=61627		0.0022
120	K1211-91112	RUE RING COTTER	1	>>	>=61628		0.0022
130	75599-52532	PIN,SPRING(7/32*1-5/8)	1				0.011
140	K2581-44650	PIN,LIFT	1				0.429
150	K5651-44670	PIN,SPRING	1		<=61627		0.462
150	K5651-44672	SPRING(PIN)	1	>>	>=61628		0.462
160	K2581-44410	CAM	1				1.155
170	K2581-44422	ROD,CAM	1		<=56398		0.3828
170	K2561-44420	ROD,CAM	1	NI	>=56399		0.3344

No	Part Number	Part Name	Qty	IC	S/N	Remarks	lbs
170	K2581-44422	ROD,CAM	1	>>	>=58073		0.3828
180	02771-50100	NUT,FLANGE	1		<=56398		0.011
180	K1122-91962	NUT(FLANGE,M10*1.5)	1	NI	>=56399		0.0264
180	02771-50100	NUT,FLANGE	1	>>	>=58073		0.011
190	04013-60120	WASHER,PLAIN	1				0.022
200	K2581-44430	DIAL,CAM	1				0.066
210	K2581-44440	PLATE,RETAINER	1				0.022
220	K1122-91330	BOLT(SHORT SQ. NECK,M8*1.25)	1		<=57621		0.0
220	K1122-91332	BOLT(SHORT SQ. NECK,M8*1.25)	1	>>	>=57622		0.033
230	02751-50080	NUT,FLANGE	1				0.0132