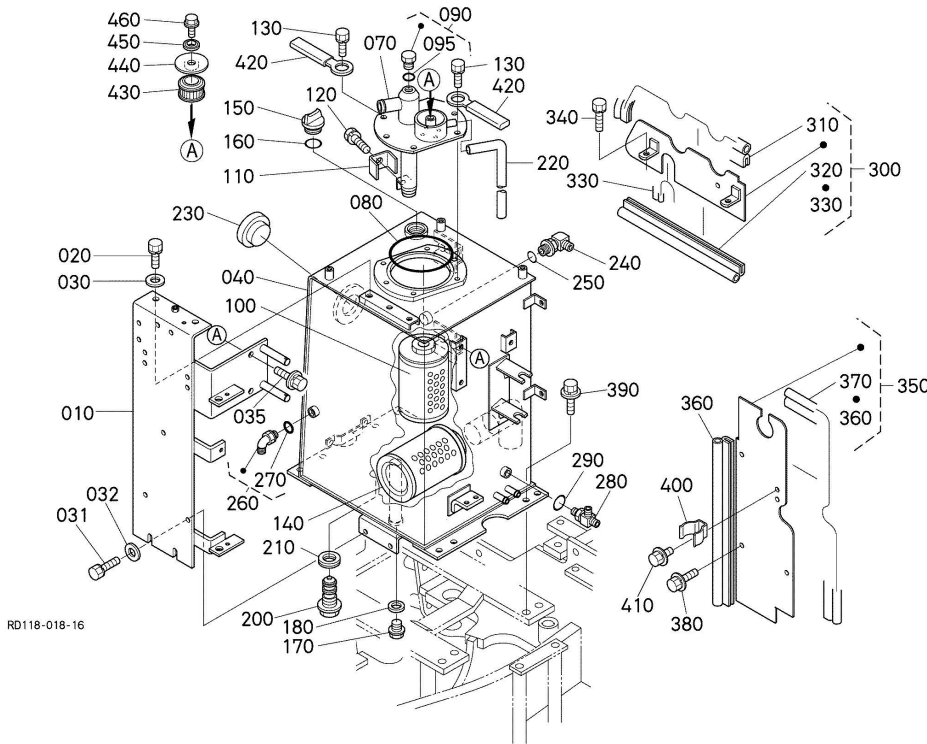


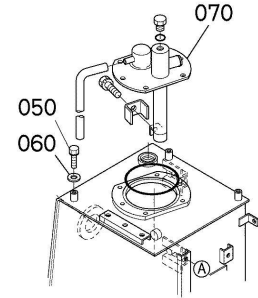
KX121-3 -> PUMP/MOTOR SYSTEM -> C50201 OIL TANK ## [EXCEPT ANGLE BLADE] ## KX121-3

Update Date: 05/14/2018, Printing Date: 01/01/2019

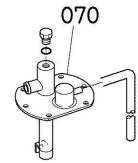


OLD PART

S. No. :A:<=20747



S. No. :A:20748 TO 22181



RD118-813-11

KX121-3 -> PUMP/MOTOR SYSTEM -> C50201 OIL TANK ## [EXCEPT ANGLE BLADE] ## KX121-3

Update Date: 05/14/2018, Printing Date: 01/01/2019

Interchangeable =, Not Interchangeable NI, New for Old >>, Old for New <<

No	Part Number	Part Name	Qty	RoundUp	IC	S/N	Remarks	Kg
010	RD118-61161	BRACKET	1			<=20005		0.0
010	RD118-61163	BRACKET	1		>>	>=20006		20.9
010	RD118-61164	BRACKET	1		>>	>=20702		20.9
010	RD118-61165	BRACKET	1		>>	>=21694		20.9
020	01133-61025	BOLT	2					0.044
030	04015-60100	WASHER,PLAIN	2					0.033
031	01133-61035	BOLT	2					0.0594
032	04015-60100	WASHER,PLAIN	2					0.033
035	01135-61020	BOLT	2					0.033
040	RD118-62111	TANK,OIL PRESSURE	1			<=20005		0.0
040	RD118-62113	TANK,OIL	1		NI	>=20006		77.0
040	RD118-62115	TANK,OIL	1		>>	>=21559		66.286
050	01153-60816	BOLT	1			<=20824		0.022
060	04717-00800	WASHER,SEAL	1			<=20824		0.0022

KX121-3 -> PUMP/MOTOR SYSTEM -> C50201 OIL TANK ## [EXCEPT ANGLE BLADE] ## KX121-3

Update Date: 05/14/2018, Printing Date: 01/01/2019

Interchangeable =, Not Interchangeable NI, New for Old >>, Old for New <<

No	Part Number	Part Name	Qty	RoundUp	IC	S/N	Remarks	Kg
070	RD411-62131	COVER,TANK	1			<=20747		0.0
070	RD411-62134	COVER,TANK	1		>>	>=20748		4.444
070	RD411-62137	COVER,TANK	1		NI	>=22182		4.444
080	68391-51260	O RING	1					0.0044
090	RD411-61790	PLUG	1					0.0616
095	04810-00110	O - RING 2,4*10,8	1					0.0022
100	RD411-62120	FILTER,RETURN	1					1.87
110	RD411-62140	STOPPER	1					0.308
120	01123-50816	BOLT,SEMS	1					0.0242
130	01133-61016	BOLT	6					0.0396
140	RD411-62210	FILTER,SUCTION	1					1.254
150	15852-33141	PLUG,OIL FILLER	1			<=20784		0.0
150	E9151-33140	PLUG(OIL FILLER)	1		=	>=20785		0.0374
160	04811-50300	O RING	1					0.0022
170	06331-35016	PLUG	1					0.088
180	04717-01610	WASHERSEAL	1					0.0088
200	33740-82660	PLUG,MAGNET	1					0.506
210	04717-02650	WASHER,SEAL	1					0.022
220	RD441-62252	TUBE,BREATHER	1					0.0
230	68311-62130	GAUGE,OIL	1					0.11
240	RP201-61810	JOINT,PIPE	1					0.22
250	04810-00140	O RING	1					0.0022
260	RC601-63721	JOINT	1			<=20784		0.0
260	RB411-63760	JOINT	1		=	>=20785		0.11
270	04810-00110	O - RING 2,4*10,8	1					0.0022
280	RC101-63830	T JOINT,PIPE(F)	1					0.1496
290	04810-00110	O - RING 2,4*10,8	1					0.0022
300	RD411-62043	ASSY PLATE,SHUTTER	1			<=20701		1.562
300	RD411-62044	ASSY PLATE,SHUTTER	1		>>	>=20702		1.562
310	RD411-62180	TRIM	1					0.198
320	RD411-62190	TRIM	1					0.132
330	RD411-62240	TRIM	1					0.044
340	01135-61020	BOLT	2					0.033
350	RD411-62054	ASSY PLATE,SHUTTER	1			<=21013		3.124

KX121-3 -> PUMP/MOTOR SYSTEM -> C50201 OIL TANK ## [EXCEPT ANGLE BLADE] ## KX121-3

Update Date: 05/14/2018, Printing Date: 01/01/2019

Interchangeable =, Not Interchangeable NI, New for Old >>, Old for New <<

No	Part Number	Part Name	Qty	RoundUp	IC	S/N	Remarks	Kg
350	RD411-62055	ASSY PLATE,SHUTTER	1		>>	>=21014		3.124
360	RD411-62220	TRIM	1					0.154
370	RD411-41432	TRIM	1					0.286
380	01135-61020	BOLT	3			<=21013		0.033
380	01135-61020	BOLT	2			>=21014		0.033
390	01135-61225	BOLT	8					0.0946
400	69251-41270	CLAMP	1					0.11
410	01125-60816	BOLT	1					0.022
420	37150-34460	CLAMP,CORD	2					0.0088
430	RD411-62150	FILTER(BREATHER)	1			>=22182		0.0528
440	RD411-62290	WASHER	1			>=22182		0.242
450	04717-00810	WASHERSEAL	1			>=22182		0.0022
460	01754-50812	BOLT,FLANGE	1			>=22182		0.022