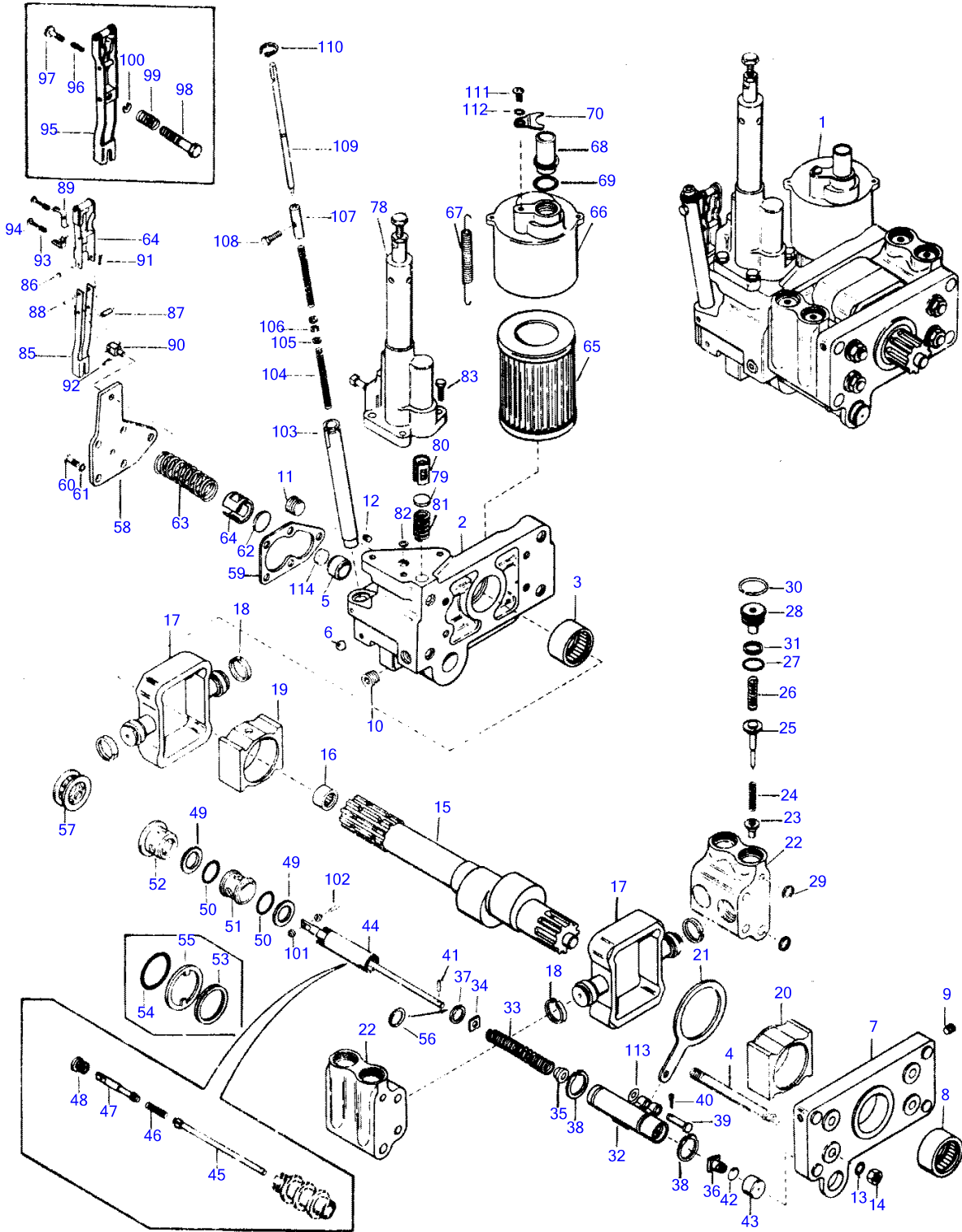


114

HYDRAULIC LIFT PUMP

BE 2046-4



1st Print

651 260 M94 (Issue 1) 3/72

Item	Part Number	Qty	Description
			(SEE PAGE XIV FOR SPECIAL SERIAL NUMBER INFORMATION)

1	522250M93	1	(A) Pump Assembly (Use w/Cast Iron Axle)
	516800M94	1	(A) Pump Assembly (Use w/Malleable Iron Axle)
2	522239M92	1	(B) Body Assembly, Rear (Incl. Items 3-6)
	516758M92	1	(B) Body Assembly (Use w/516 800 M94)
3	195950M1	1	Bearing, Needle
4	897494M1	4	Stud (3/8" NC-NF x 4-5/8")
5	516801M1	1	Seat, Valve
6	16772X	1	Ball
7	517384M91	1	(B) Body Assembly, Front
8	195950M1	1	Bearing, Needle
9	195567M1	2	Plug (1/8" P.T. Sckt. Hd.)
10	365334X1	2	Plug (3/8" N.p.t. Hex., Sckt.)
11	366947X1	1	Plug (1/2" P.T. Hex., Sckt.)
12	375184X1	1	Plug (1/16" P.T. Hex. Sckt. Hd.)
13	22764X	4	(B) Washer (3/8" Int. Tooth Lock)
14	518822M1	4	(B) Nut (3/8" NF, Hex., Special)(W/o Groove)
15	1809042M91	1	(B) Camshaft Assembly (10 Spline)
16	1000251M1	1	Bearing, Needle
17	518476M1	2	Piston, Pump
18	897493M1	4	Ring, Piston
19	894608M1	1	Block
20	894607M1	1	Block
21	180933M1	1	Follower, Cam
22	888702M2	2	(D) Chamber (Part No. Stamped on)
	518357M1	2	(E,F) Chamber (Part No. Stamped on)
23	180929M1	4	Valve
24	522038M1	4	Spring, Intake Valve
25	180930M1	4	Valve
26	180928M1	4	Spring (Outlet)
27	359001X1	4	"O" Ring (11/16" I.D. X 3/32")
28	888700M1	4	(D) Plug, Valve Chamber
	518358M1	4	(E) Plug (Use w/518 357 M1 Chamber)
29	364167X1	8	Valve, Outlet
30	518359M1	4	Ring, Retaining
31	366311X1	4	(E) Washer (11/16" I.D. X 3/32" Rubber)
32	520787M91	1	Oscillator Assembly
33	516817M1	1	Spring
34	522002M1	1	(H) Disc
35	522009M1	1	(H) Guide
36	522008M1	1	(H) Collar
34	897501M1	1	Disc (Use w/Malleable Iron Axle)
35	897498M1	1	Guide (Use w/Malleable Iron Axle)
36	516818M1	1	Collar (Use w/Malleable Iron Axle)
37	355781X1	1	Ring, Int. SNAP (.035" Thk.)
38	195946M1	2	Ring
39	832006M1	1	Pin (1/4 X 1-3/16" Clevis)
40	354039X1	1	Pin (1/16 X 1/2" Cotter)
41	897504M1	1	Pin (5/64 X 7/16")
42	377386X1	1	(H) Ring
	897505M1	1	Ring (Use w/Malleable Iron Axle)
43	516821M1	1	Plug, Control Valve
44	522197M91	1	(H) Valve Assembly (Use w/Cast Iron Axle)
45		1	(H) Rod (Order 522 197 M91)
46		1	(H) Spring (Order 522 197 M91)
47		1	(H) Rod (Order 522 197 M91)
48		1	(H) Seat (Order 522 197 M91)
44	520642M91	1	(C) Valve Assembly (Use w/Malleable Iron Axle)
45		1	Rod (Order 522 383 M91)
46		1	Spring (Order 522 383 M91)
47		1	Rod (Order 522 383 M91)
48		1	Seat (Order 522 383 M91)
49	367214X1	2	(H) Ring, Back-up, Teflon
50	366130X1	2	(H) "O" Ring (7/64 X 5-9/64")
51	516778M1	1	Retainer (Use w/Malleable Iron Axle only)

HYDRAULIC LIFT PUMP

Item	Part Number	Qty	Description
52	522200M1	1	(H) Spacer, Control Valve
	516797M1	1	Spacer (Use w/Malleable Iron Axle)
53	522004M1	1	(H) Washer, Valve
54	364777X1	1	(H) "O" Ring (1-3/16" I.D. X 3/32" Thk.)
55	522199M1	1	(H) Lockplate
	522383M91	AR	Kit (Incl. all items marked "H" on Pages 114 and 117) (SEE PAGE XIV FOR SPECIAL SERIAL NUMBER INFORMATION)
	522250M93	1	Pump Assembly - Cont't (Use w/Cast Iron Axle)
	516800M94	1	Pump Assembly - Cont'd (Use w/Malleable Iron Axle)
56	516781M2	1	Washer (Use w/Malleable Iron Axle only)
57	516794M1	1	Spacer (Use w/Malleable Iron Axle only)
58	522178M91	1	(H) Cover Assembly
	516786M1	1	Cover Assembly (Use w/Malleable Iron Axle)
59	516795M1	1	(H) Gasket
60	353676X1	5	Bolt (5/16 X 5/8" NC, Hex.)
61	353446X1	5	Washer (5/16" Lock)
62	516803M1	1	Valve
63	516805M1	1	Spring
64	516782M1	1	Guide
65	522233M93	1	Strainer Assembly
	366616X1	1	"O" Ring (1-1/2 X 1-11/16 X 3/32")
66	522229M92	1	(B) Cover Assembly
	762026M1	1	"O" Ring (11/16" I.D. X 3/32")
65	521451M1	1	Strainer (Use w/Malleable Iron Axle)
66	516768M1	1	(B) Cap (Use w/Malleable Iron Axle)
67	520690M1	2	(B) Spring
68	520370M91	1	(B) Tube Assembly (Use w/Malleable Iron Axle only)
69	851134M1	1	"O" Ring
70	520371M2	1	Strap (Use w/Malleable Iron Axle only)
78		1	Valve Assembly (See Page 119)
79	504268M1	1	Valve
80	504284M1	1	Guide
81	516809M1	1	Spring
82	359291X1	1	"O" Ring
83	353668X1	3	Bolt (1/4 X 7/8" NC, Hex.)
84	521037M91	1	(G) Lever Assembly
85	519068M1	1	(G) Lever
86	188909M1	1	(G) Pin (3/16 X 13/16" Clevis)
87	519069M1	1	(G) Bushing
88	519128M1	1	(G) Pin (5/32" X 39/64")
89	521001M1	1	(G) Spring
90	519182M1	1	(G) Pivot
91	354039X1	1	(G) Pin (1/16 X 1/2" Cotter)
92	354041X1	1	(G) Pin (1/16 X 3/4" Cotter)
93	516799M1	2	(G) Pivot
94	516816M1	2	(G) Screw
95	516785M91	1	(H,J) Lever Assembly
96	516799M1	1	(H) Pivot
97	516816M1	1	(H) Screw
98	518620M1	1	(H) Bolt
99	518622M1	1	(H) Spring
100	360544X1	1	Ring, Retaining, Type "E" (13/64" . I.D. X 1/32")
101	897599M1	1	Roller, Valve Lever
102	897504M1	1	Pin (5/64 X 7/16")
103	516783M1	1	Tube
104	516802M1	2	Spring
105	516804M1	2	Washer
106	377386X1	1	Ring
107	516780M2	1	Barrel
108	880022M1	1	Screw (#10 -32 X 11/16" Hex., Hd., Special)
109	516779M1	1	Needle
110	353213X1	1	Ring, Ext. SNAP (37/64" I.D. X 1/32" Thk.)
111	355124X1	1	(B) Screw (#10 - 24 X 3/8" Slt'd. Truss Hd.)
112	16379X	1	Washer (#10 x 3/8" Truss Hd.)(Use w/Malleable Iron Axle only)
113	365321X1	1	Washer (9/32 X 1/2 X 3/64")
114	517925M1	1	(B) Plug

Item	Part Number	Qty	Description
	522383M91	AR	Kit (Incl. all items marked "H" on Pages 114 and 117) ***** (A) - Includes Items 2-55 On Page 114 And Items 56-114 On Page 117. (B) - Western Tractor Only Do Not Require Complete Pump, Only Items Marked "B". (C) - For Repairs Order 522383M91, Conversion Kit. (D) - Used Late Production. (E) - Used Early Production. (F) - For Repairs Order (1) 888702M2 Chamber & (2) 888700M1 Plugs. (G) - Use Axle Number 516 420 A91 Serial Number FY 206 and up. Axle Number 522 103 A91 Serial Number FY 201 and up. (H) - Used prior to Axle Number 516 420 A91 Serial Number FY 206 and Axle Number 522 103 A91 Serial Number FY 201. (J) - For repairs order (1) 521 037 M91 Lever Assembly (1) 519 068 M1 Lever (1) 188 909 M1 Pin (1) 519 069 M1 Bushing (1) 519 128 M1 Pin (1) 521 001 M1 Spring (1) 519 182 M1 Pivot (1) 354 039 X1 Cotter Pin (1) 354 041 X1 Cotter Pin (2) 516 799 M1 Spring and (2) 516 816 M1 Screw.