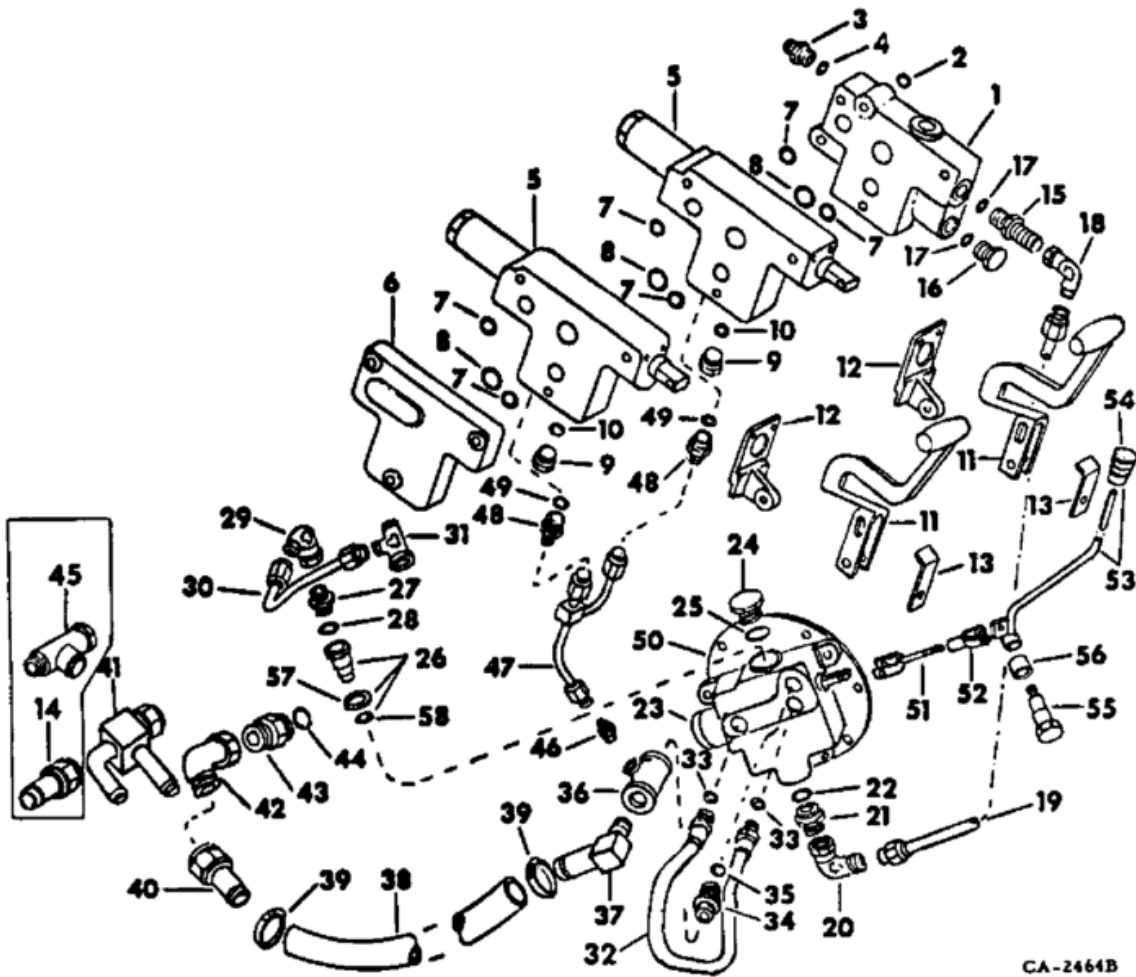




PARTS & MERCHANDISE
STORE

Case IH Customer Relations 621 State Street
NACustomerRelations@caseih.com Racine, Wisconsin 53404
877-422-7344 Option 1

(574) - INTERNATIONAL SERIES-A TRACTOR (NORTH AMERICA) (1/70-12/77) > (10-26) - HYDRAULICS, INTERNAL PUMP
ADAPTING PARTS



CA-2464B



PARTS & MERCHANDISE
STORE

Case IH Customer Relations 621 State Street
NACustomerRelations@caseih.com Racine, Wisconsin 53404
877-422-7344 Option 1

(574) - INTERNATIONAL SERIES-A TRACTOR (NORTH AMERICA) (1/70-12/77) > (10-26) - HYDRAULICS, INTERNAL PUMP ADAPTING PARTS

Diag #	Part #	Name	Description	Qty
.		SERVICE PARTS, tractors equipped with, 3110 hyd mower, consists of all unmarked parts, and those marked unit A	SERVICE PARTS, tractors equipped with, 3110 hyd mower, consists of all unmarked parts, and those marked unit A	1
.		SERVICE PARTS, tractors equipped with 3110 hyd mower and/or 2050A loader, consists of all unmarked parts and those marked unit B	SERVICE PARTS, tractors equipped with 3110 hyd mower and/or 2050A loader, consists of all unmarked parts and those marked unit B	1
1	536698R91		VALVE ASSY, flow driver, for components, see list of parts under detail of flow divider valve	1
.	179845	BOLT,Hex, 3/8" - 16 x 1 3/4", Gr 5	SCREW, 3/8-16 x 1-3/4 hex-hd cap	2
2	379794R1	O-RING,0.103" Thk x 1.237" ID, -124, CI 5, 75 Duro	1-1/4 x 1-7/16 x 3/32	1
3	9410204	HYD CONNECTOR,7/8"-14, 37 Degree x 7/8"-14, O-Ring	UNION, 7/8-24 37 deg hyd flared tube short swivel	1
4	364885R1	O-RING,0.097" Thk x 0.755" ID, -910, CI 6, 90 Duro	5/8 OD tube	1
5	529912R92	VALVE	ASSY, hyd open center control, for componets, see list of parts under details of control valve	2
6	376023R4	COVER	open center control valve, unit A	1
.	381781R1	BOLT,Hex, 3/8" - 16 x 5 3/8", Gr 8	SCREW, 3/8-16 x 5-3/8 hex-hd cap	2
.	20507R1	BOLT,Hex, 3/8" - 16 x 6 3/4", Gr 5	SCREW, 3/8-16 x 6-3/4 hex-hd cap	1
6	470603R4	MANIFOLD	COVER, open center control valve, unit B	1
.	381781R1	BOLT,Hex, 3/8" - 16 x 5 3/8", Gr 8	SCREW, 3/8-16 x 5-3/8 hex-hd cap	2
.	20507R1	BOLT,Hex, 3/8" - 16 x 6 3/4", Gr 5	SCREW, 3/8-16 x 6-3/4 hex-hd cap	1
7	381884R1	O-RING,0.103" Thk x 0.987" ID, -120, CI 6, 90 Duro	1 x 1-3/16 x 3/32	6
8	381885R1	O-RING,0.103" Thk x 1.362" ID, -126, CI 6, 90 Duro	1-3/8 x 1-9/16 x 3/32	3
9	9410360	PLUG	7/8-14 C-Z str-thd o-ring boss	2
10	364885R1	O-RING,0.097" Thk x 0.755" ID, -910, CI 6, 90 Duro	5/8 OD tube	2
.	530210R1	HANDLE	aux hyd valve control	2

Diag #	Part #	Name	Description	Qty
	16811R1		PIN, 1/2 x 1-11/16 rod end	4
.	395-11053	WASHER,0.53" ID x 1.06" OD x 0.1" Thk	17/32 x 1-1/16 x .074	4
.	130385	PIN, 1/8 x 1 cot.	PIN, 1/8 x 1 cot.	4
12	467948R1	BRACKET	control handle	2
.	179816	BOLT,Hex, 5/16" - 18 x 3/4", Gr 5	BOLT,Hex, 5/16" - 18 x 3/4", Gr 5	4
.	103320	LOCK WASHER,5/16"	WASHER, LOCK, 5/16"	4
13	530211R1		BAR, float lockout	2
.	256873	BOLT,Hex Serr, 5/16" - 18 x 1/2", 5SPL, Full Thd	Float lockout bar Hex Flg, 5/16"-18 x 1/2", Serr	2
14	479152R91		FITTING, return hose	1
15	9403256	FITTING,Blkhd, 7/8"-14, 37 Degree x 7/8"-14, 37 Degree	UNION, 7/8-14 C-Z 37 deg hyd flared tube bulkhead	1
16	9410360	PLUG	7/8-14 C-Z 37 deg hyd flared tube bulkhead	1
17	364885R1	O-RING,0.097" Thk x 0.755" ID, -910, CI 6, 90 Duro	5/8 OD tube	2
18	9410282	ELBOW,90 Degree, 7/8"-14, 37 Degree x 7/8"-14, 37 Degree Fem Sw	7/8-14 C-Z 37 deg hyd flared tube 90 deg swivel	1
19	538200R1		TUBE ASSY, power supply	1
20	9410282	ELBOW,90 Degree, 7/8"-14, 37 Degree x 7/8"-14, 37 Degree Fem Sw	7/8-14 C-Z 37 deg hyd flared tube 90 deg swivel	1
21	573206R1	HYD CONNECTOR,7/8"-14, 37 Degree x 1 1/16"-12, O-Ring	UNION, 7/8-14 C-Z 37 deg hyd flared tube short swivel reducer	1
22	368269R1	O-RING,0.116" Thk x 0.924" ID, -912, CI 6, 90 Duro	3/4 OD tube	1
23	538201R91		VALVE ASSY, motor control, for components see list of parts under details of motor control valve	1
24	478483R1		PLUG, body, unit A	1
25	635971R1		GASKET, sleeve, unit A	1
26	477816R91		SLEEVE W/GASKET AND SEAL, power beyond, unit B, consists of ref nos 57 and 58	1
27	573206R1	HYD CONNECTOR,7/8"-14, 37 Degree x 1 1/16"-12, O-Ring	UNION, 7/8-14 C-Z 37 deg hyd flared tube short swivel reducer, unit B	1
28	368269R1	O-RING,0.116" Thk x 0.924" ID, -912, CI 6, 90 Duro	3/4 OD tube, unit B	1
29	9410282	ELBOW,90 Degree, 7/8"-14, 37 Degree x 7/8"-14, 37 Degree Fem Sw	7/8-14 C-Z 37 deg hyd flared, unit B	1
30	538202R1		TUBE ASSY, loader power beyond, unit B	1
31	9410334	TEE,37 Degree, 7/8"-14 x 7/8"-14, Fem Sw Run	7/8-14 C-Z 37 deg hyd flared tube 90 deg swivel, unit B	1

Diag #	Part #	Name	Description	Qty
32	547665R91		HOSE ASSY, hydraulic	1
33	364885R1	O-RING,0.097" Thk x 0.755" ID, -910, CI 6, 90 Duro	5/8 tube	2
34	587638R1	CONNECTOR, ELEC	CONNECTOR, 7/8-14 C-Z 37 deg hyd flared tube reducer	1
35	364885R1	O-RING,0.097" Thk x 0.755" ID, -910, CI 6, 90 Duro	5/8 OD tube	1
36	218250		TEE, 3/4 x 3/4 x 1/4 reducing pipe	1
37	477814R1	ELBOW	return line	1
38		HOSE, dump line, furnish twelve inches from 50 ft. roll marked, 490960R1	HOSE, dump line, furnish twelve inches from 50 ft. roll marked, 490960R1	1
39	274086R91	HOSE CLAMP,0.94/1.63 Type F Worm	CLAMP, hose	2
40	479152R91		FITTING, return hose	1
41	57231C1		TEE ASSY, unit B, replaces 9410337	1
42	9410285	ELBOW,90 Degree, 1 5/16"-12, 37 Degree x 1 5/16"-12, 37 Degree Fem Sw	1-5/16, 12 C-Z 37 deg hyd flared swivel, unit A	1
43	9410207	HYD CONNECTOR,1 5/16"-12, 37 Degree x 1 5/16"-12, O-Ring	UNION, 1-5/16, 12 C-Z 37 deg hyd flared tube short swivel	1
44	296247R1	O-RING,16-1, 90 Duro, 1.171" ID x .116" Thk	1 OD tube	1
45	9410337	TEE,37 Degree, 1 5/16"-12 x 1 5/16"-12, Fem Sw Run	1-5/16, unit B	1
46	317783R1	HYD CONNECTOR,7/16"-20, 37 Degree x 1/4"-18, NPTF	CONNECTOR, 7/16, 20 C-Z 37 deg hyd flared tube reducer	1
47	538204R1		TUBE ASSY, pressure relief	1
48	391797R1	HYD CONNECTOR,7/16"-20, 37 Degree x 7/8"-14, O-Ring	UNION, 7/16, 20 C-Z 37 deg hyd flared tube short swivel reducer	2
49	364885R1	O-RING,0.097" Thk x 0.755" ID, -910, CI 6, 90 Duro	5/8 OD tube	2
50	538205R1		COVER ASSY, valve mounting	1
.	231-1446	NUT,3/8" - 16, Gr 5	NUT LOCK, 3/8"-16, GB	3
51	538208R1		YOKE ASSY, control valve	1
.	130368H	PIN	1/4 x 1-11/64 std-hyd	1
.	121223	COTTER PIN,1/16" x 3/4"	PIN, SPLIT (COTTER), 1/16" x 3/4"	1
52	355975R1	CLEVIS COUPLING	YOKE, rod control	1
.	138084	SPLIT PIN/SAFETY PIN	PIN, 3/8 x 1-3/32 C-Z rod end	1
.	121224	SUPPORT	3/32" x 1"	1
.	120369	NUT,3/8"-24, G5	NUT,3/8"-24, G5	1
53	538211R91	HANDLE ASSY, valve control	HANDLE ASSY, valve control	1

Diag #	Part #	Name	Description	Qty
54	397931R2	GRIP	KNOB	1
54	397931R2GV	SPRING	Value, Knob	1
55	538215R1		BOLT, pivot	1
56	538214R1		TUBE, pivot	1
.	49609D		WASHER, 45/64 x 1-1/4 x 11 ga C-Z	1
57	635971R1		GASKET, unit B	1
58	666218R1	SEAL	SEAL, unit B	1