

**NOTE**

In order to facilitate full engagement of each pin through the hole of each lift link, lift the side of the deck slightly. While raising or lowering deck, move lift link into position until the pin passes through the hole in the link.

14. Disengage deck idler arm lever from its stop bracket and release the spring tension until the lever is at the outside of the deck. (Refer to Figure 18.)

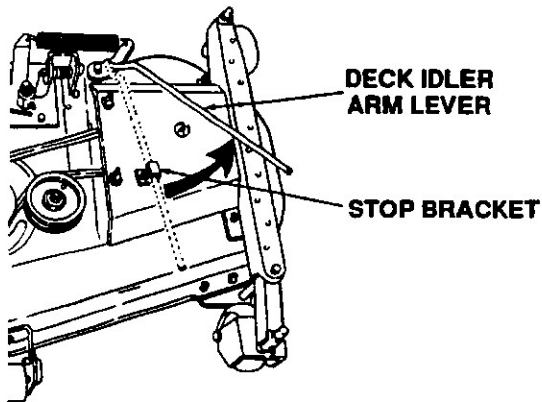


Figure 18



**WARNING**

The exhaust system is **HOT**. To avoid personal injury, allow the engine and exhaust system to cool before proceeding with the following PTO belt installation instructions.

15. Install forward end of the PTO belt on engine PTO clutch pulley by passing the belt upward inside the tractor frame. Ensure that narrow side of PTO belt engages the groove of the pulley. (Refer to Figure 19.)

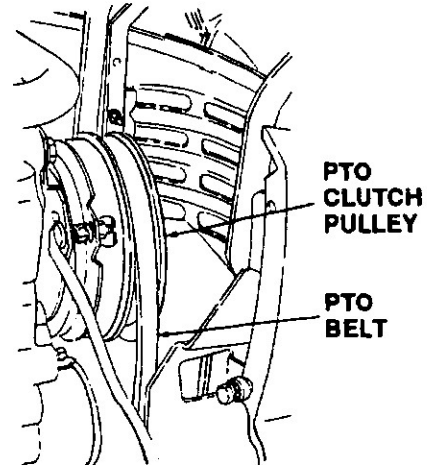


Figure 19

16. Twist the PTO belt 1/4 turn to engage the narrow sides of the belt into the grooves of the two tractor front lower pulleys. Push belt towards center double pulley on deck making sure it is between the legs of front lift rod. (Refer to Figure 20.)

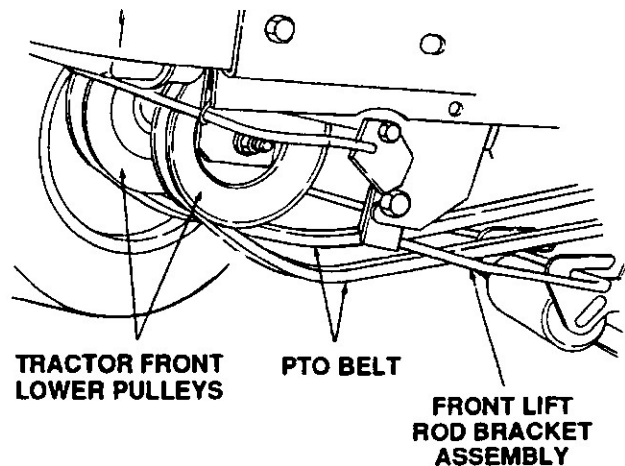


Figure 20

17. Install rearward end of the PTO belt on upper pulley of deck center double pulley. Ensure that the narrow side of belt engages the groove of the upper pulley. (Refer to Figure 21.)

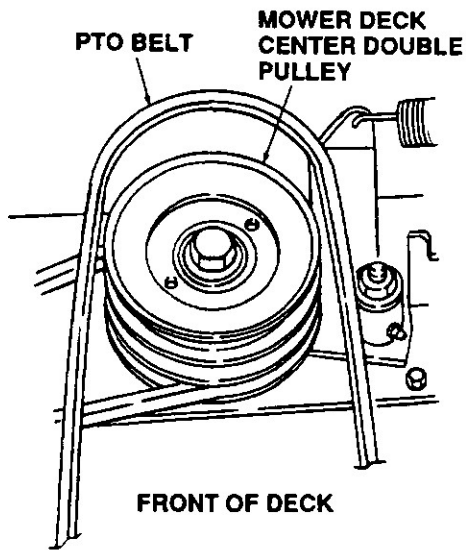


Figure 21

18. Engage deck idler arm lever into its stop bracket to provide tension on the PTO belt. (Refer to Figure 22.)

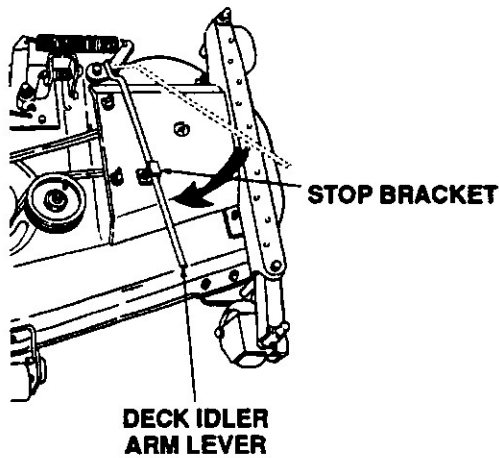


Figure 22

19. Raise tractor implement lift handle to its highest setting. Push downward and outward on rearward end of each of the two implement lift assist rods located at the right rear and left rear of the tractor. (Refer to Figure 23.)

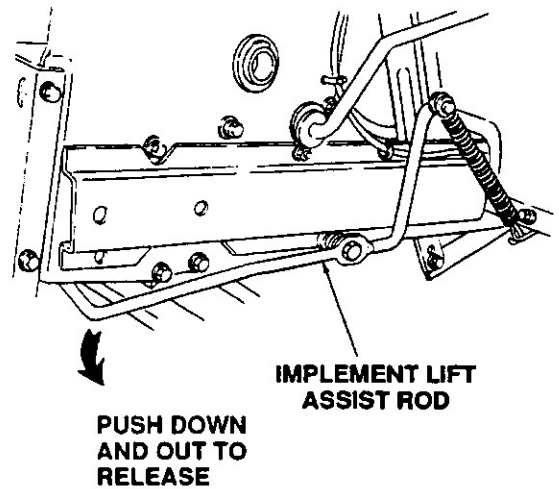


Figure 23

20. Releasing tension on the spring, allow each lift assist rod to rise upward (outside the tractor frame) to its highest position. (Refer to Figure 24.)

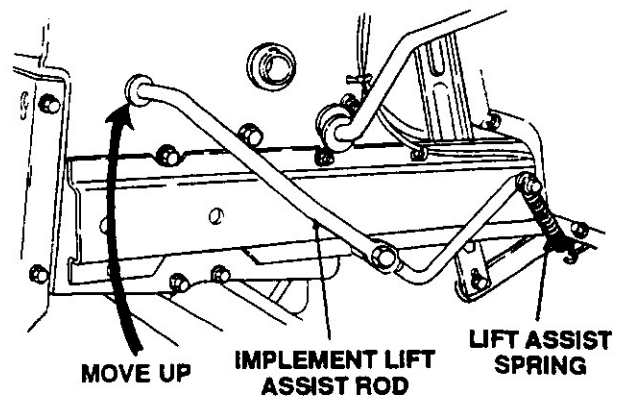


Figure 24