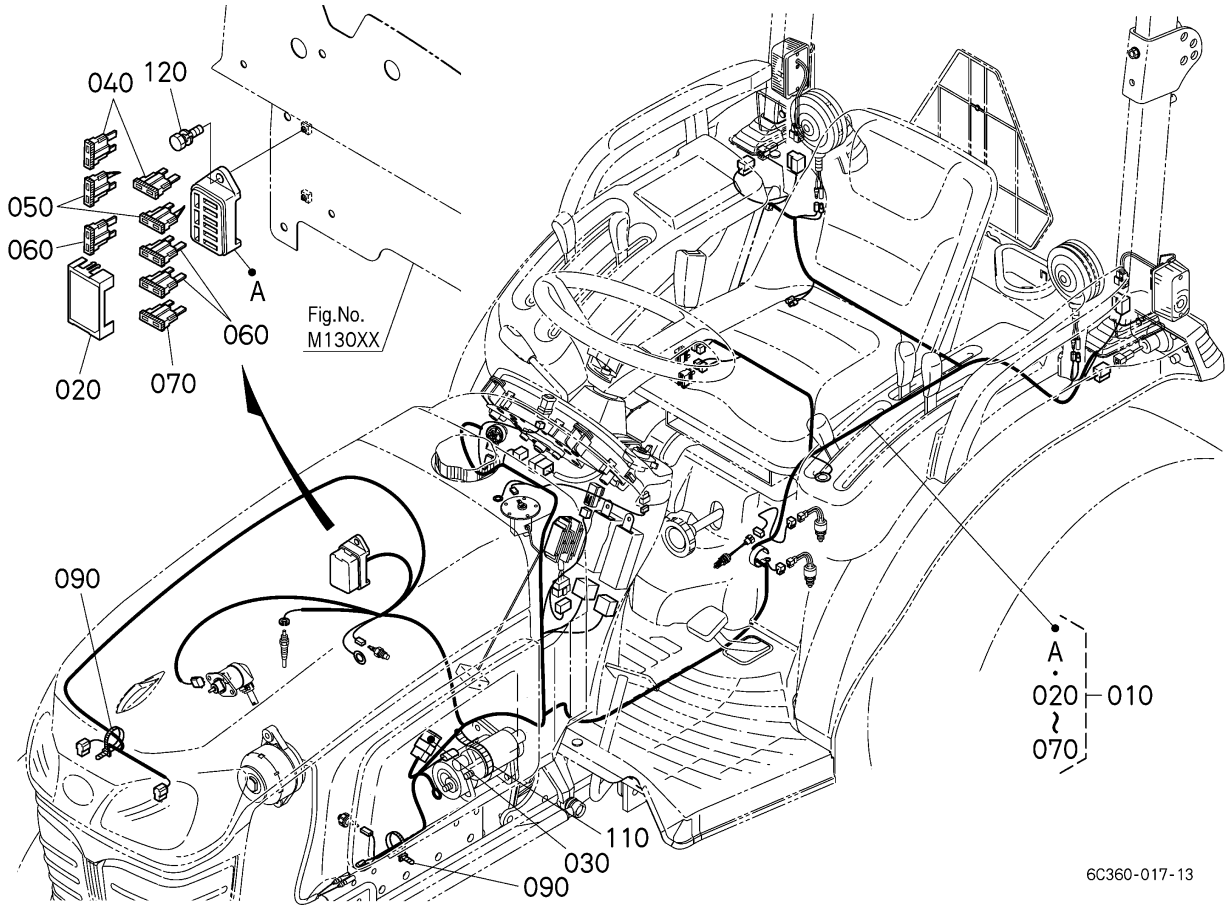


B3200HSD -> ELECTRICAL SYSTEM -> B50100 ELECTRICAL WIRING ## B3200HSD

Update Date: 10/27/2015, Printing Date: 06/26/2017



6C360-017-13

B3200HSD -> ELECTRICAL SYSTEM -> B50100 ELECTRICAL WIRING ## B3200HSD

Update Date: 10/27/2015, Printing Date: 06/26/2017

Interchangeable =, Not Interchangeable NI, New for Old >>, Old for New <<

No	Part Number	Part Name	Qty	RoundUp	IC	S/N	Remarks	Kg
010	6C360-30403	ASSY WIRE HARNESS	1			<=55084		3.036
010	6C360-30405	ASSY WIRE HARNESS	1		NI	>=55085		3.036
010	6C360-30407	ASSY WIRE HARNESS	1		>>	>=62685		3.036
020	6C060-55482	COVER,FUSE CASE	1					0.0022
030	1G111-65720	FUSE	1				30A	0.0198
040	66426-80010	FUSE,AUTO	2				5A	0.022
050	48100-55880	FUSE,AUTO	2				10A	0.022
060	36919-56650	FUSE 20A	3				20A	0.0044
070	52300-41630	FUSE(AUTO,30A)	1				30A	0.022
090	53581-64150	BAND,CORD	2					0.0044
110	55311-41260	BAND,CORD	1					0.0154