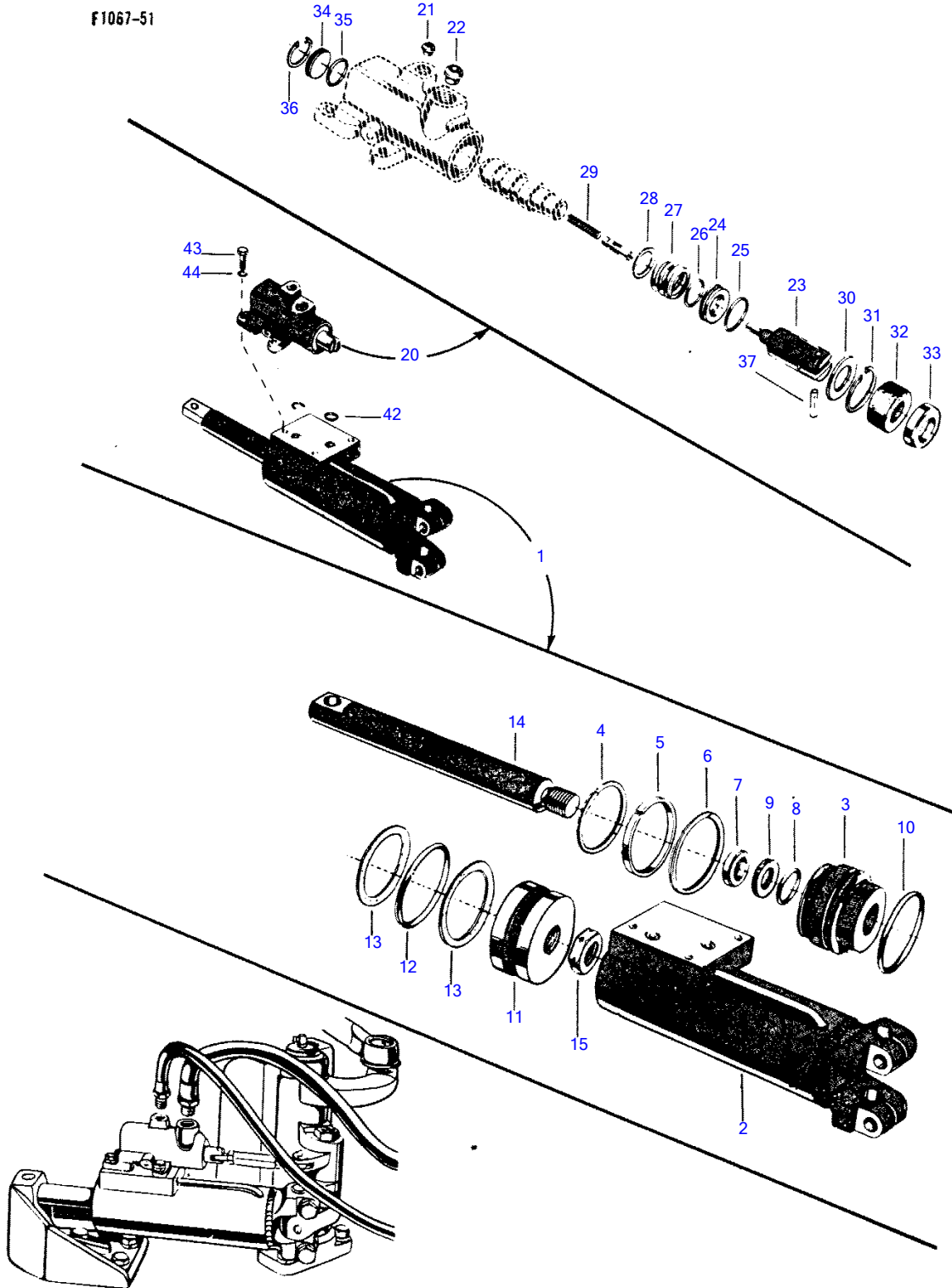


208

POWER STEERING CYLINDER



1st Time

690 237 M5 (Issue 1) 3/66