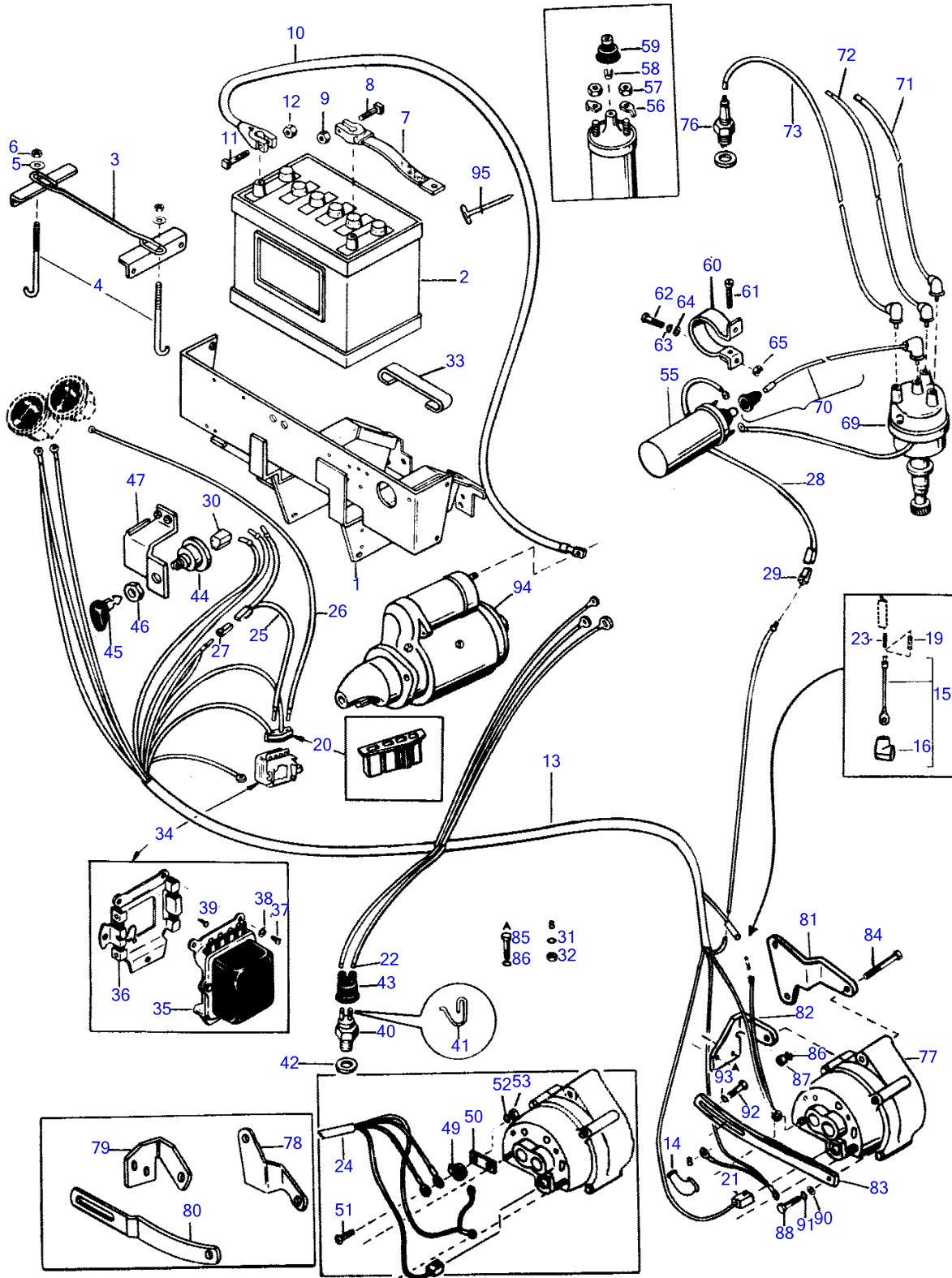


BATTERY AND WIRING

BE 195-53



1st Print

651 281 M93 (Issue 1) 9/75

Item	Part Number	Qty	Description
1	515142M92	1	Platform Assembly
2	832704M3	1	Battery, 12 Volt
3	508888M1	1	Retainer, Battery
4	515156M3	2	Bolt Battery Hold-Down
5	355618X1	2	Washer (5/16" Flat)
6	195256M1	2	Nut (1/4" NF, Hex., Lock)
7		1	(A) Cable Assembly
8	182736M1	1	Bolt (5/16 x 1-3/8" NC Special)
9	180296M1	1	Nut (5/16" NC, Hex., Special)
10	520698M93	1	Cable, Battery to Battery
11	180169M1	1	Bolt (5/16 x 1-1/2" NC, Sq. Hd. Special)
12	180296M1	1	Nut (5/16" NC, Hex., Special)
13	522139M92	1	(B) Harness Assembly
14	526024M1	1	(C) Boot, Wire Cover
15	522508M91	1	(D) Holder Assembly
16	510168M1	1	Boot, Switch Cover
19	192340M1	1	(C) Fuse (30 Amp.)
	522511M1	1	(D) Fuse (60 Amp.)
20	510166M1	1	Connector, Female
21	510167M1	1	Connector, Female
22	1750658M1	2	Terminal, Electrical (Bullet Type)
23	1750613M1	1	Spring, Fuse Holer
24	516148M92	1	(E) Harness Assembly
25	516149M91	1	Cable Assembly
26	516415M91	1	Cable Assembly
27	504817M1	1	Connector, Wire
28	516152M91	1	Cable Assembly
29	504817M1	1	Connector, Wire
30	194384M1	1	Connector Body
31	22756X	1	Washer (5/16" Internal Tooth Lock)
32	353916X1	1	Nut (5/16" NF, Hex.)
33	515155M1	1	Spacer, Battery Platform
34	508551M91	1	(F) Regulator Assembly
35	1031060M91	1	(G) Regulator Assembly
36	1031061M91	1	(G) Mount Assembly
37	360281X1	3	Screw (1/4" Pan Hd.)
38	353441X1	3	Washer (1/4" Lock)
39	364778X1	2	Bolt (1/4 x 3/8" NC, Hex., Washer Hd., Tapping)
40	181140M94	1	Switch Assembly, Neutral Safety
41	1752610M2	1	Terminal, Switch
42	181142M1	1	Washer (23/32 x 1 x 1/32" Flat)
43	180776M1	1	Boot, Neutral Safety Switch
44	194747M91	1	Switch Assembly, Ignition and Start
45	192922M1	1	Key and Ring Assembly
46	180293M1	1	Nut (5/8" NF, Half Hex.)
47	508364M91	1	Bracket Assembly
49	513983M91	1	(E) Terminal Assembly
50	366261X1	1	(E) Strap, Terminal
51	353982X1	1	(E) Screw (#10 - 24 x 5/8" Pan Hd. Slt.)
52	353445X1	1	(E) Washer (#10 Lock)
53	354120X1	1	(E) Nut (#10 NC, Hex., Lock)
55	189673M91	1	Coil Assembly, Ignition
56	1750501M1	2	Clip, Terminal, Lo-Tension
57	358990X1	2	Nut (#10 - 32 Hex.)
58	1509811M1	1	Terminal, Hi-Tension
59	181543M1	1	Nipple, Cable
60	1750500M1	1	Clamp Assembly, Coil
61	1024262M1	1	Screw (#10 - 32 x 1-1/2" Rd. Hd. Self-Tapping)
62	353667X1	2	Bolt (1/4 x 3/4" NC, Hex.)
63	353441X1	2	Washer (1/4" Lock)
64	353754X1	2	Washer (9/32 x 5/8 x 1/16" Flat)
65	355564X1	2	Nut (1/4" NC, Hex.)
69		1	Distributor (See Page 93)
70	516678M91	1	Wire Assembly (Includes Item 49)
	19899A91	AR	Wire Kit
71	515517M92	1	Wire, #1 (For Repair Order 19899A91)

Item	Part Number	Qty	Description
72	521026M91	1	Wire, #2 (For Repair Order 19899A91)
73	515516M91	1	Wire, #3 (For Repair Order 19899A91)
76	834236M1	3	(H) Spark Plug
	834230M1	3	(I) Spark Plug (W/Gasket)
77		1	Alternator (See Page 85)
78	512948M1	1	Support, Front (Ind.)
79	512949M1	1	Support, Rear (Ind.)
80	517505M2	1	Strap, Adjusting (Ind.)
81	518503M1	1	Support (Turf)
82	518504M1	1	Support, Rear (Turf)
83	511373M3	1	Strap, Alternator (Turf)
84	354273X1	1	Bolt (3/8 x 3" NC, Hex.)
85	353690X1	2	Bolt (3/8 x 7/8" NC, Hex.)
86	353434X1	3	Washer (3/8" Lock)
87	355566X1	1	Nut (3/8" NC, Hex.)
88	353677X1	1	Bolt (5/16 x 3/4" NC, Hex.) (Ind.)
	353679X1	1	Bolt (5/16 x 1" NC, Hex.) (Turf)
90	353755X1	1	Washer (11/32 x 11/16 x 5/64" Flat) (Turf)
91	353446X1	1	Washer (5/16" Lock) (Turf)
92	354630X1	1	Bolt (3/8 x 3-3/4" NC, Hex.)
93	353756X1	1	Washer (13/32 x 13/16 x 1/16" Flat)
94		1	Starter Assembly (See Page 86)
95	515103M1	1	Strap, Tie

(A) - Make From 839032M92, Battery Cable Kit.

(B) - Used Late Production.

(C) - Used Tractor Serial Number 9A92743, 9A92796, 9A93703 And Up.

(D) - Used Prior To Tractor Serial Number 9A93703 Except 9A92743 And 9A92796.

(E) - Used Early Production.

(F) - Used In Production. Regulator Is Riveted To Mount. To Replace Regulator Order 1031060M91, Regulator And 3 Each Of 360281X1, Screw And 353441X1, Washer. To Replace Mount Order 1031061M91, Mount.

(G) - For Repairs Only. See Note "A".

(H) - Used Engine Serial Number 152UA15060A And Up.

(I) - Used Prior To Engine Serial Number 152UA15060A.