

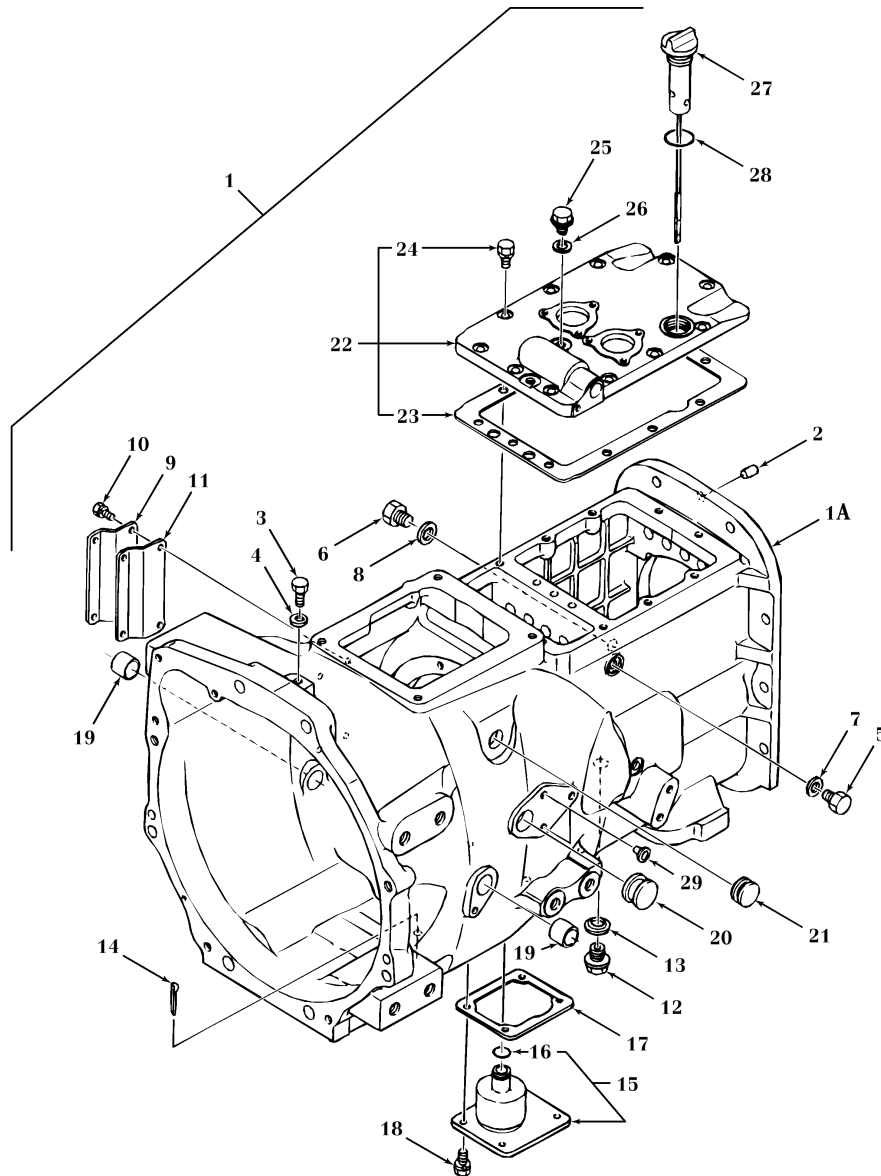
3930 - 3 CYL AG TRACTOR ALL PURPOSE(05/90 - 07/99)

VENDOR: New Holland

SECTION: 03 - TRANSMISSION

DIAGRAM: **07A01 - SYNCHRONIZED TRANSMISSION, W/8 X 8, 16 X 8, L/CAB - EXCEPT 3930H**

<https://www.messicks.com/nh/138318?sectionId=286629&diagramId=1084955>



#	Title	Description	Part Number	Price	Stock	Job Quantity	Notes	Has Image
---	-------	-------------	-------------	-------	-------	--------------	-------	-----------

#	Title	Description	Part Number	Price	Stock	Job Quantity	Notes	Has Image	
1	E9NN7003LA	TRANSMISSION	E9NN7003LA	Call	Call	1	Assy., 16 x 8, W/Creeper, W/4.4:1; (Prod Date) After 01-Mar-1990	no	
1	TRANSMISSION	TRANSMISSION	E9NN7003AF		3-7 business days	1	Assy., 8 x 8, L/Creeper; (Prod Date) After 01-Mar-1990	no	
1	E9NN7003CF	TRANSMISSION	E9NN7003CF	Call	Call	1	Assy., 16 x 8, L/Creeper; (Prod Date) After 01-Mar-1990	no	
1A	SUMP	SUMP	K3660221114	\$1,217.05	3-7 business days	1	Case, Transmission, W/Cover & Threaded Bolt Holes; (Prod Date) After 01-Mar-1990	no	Add To Cart
1	E9NN7003JA	TRANSMISSION	E9NN7003JA	Call	Call	1	Assy., 8 x 8, W/Creeper, W/4.4:1; (Prod Date) After 01-Mar-1990	no	
2	PIN	PIN	K3660221141	\$9.32	3-7 business days	2	Knock; (Prod Date) After 01-Mar-1990	no	Add To Cart
3	BOLT	BOLT	K0115351025	\$1.33	3-7 business days	1	(Prod Date) After 01-Mar-1990	no	Add To Cart
4	WASHER	WASHER	K0401150100	\$0.08	3-7 business days	1	Plain; (Prod Date) After 01-Mar-1990	no	Add To Cart
5	PLUG	PLUG	K0633135012	\$0.93	3-7 business days	1	(Prod Date) After 01-Mar-1990	no	Add To Cart
6	PLUG	PLUG	K0633135016	\$3.15	3-7 business days	1	(Prod Date) After 01-Mar-1990	no	Add To Cart
7	SEALW	SEALING WASHER	K0471701200	\$16.70	3-7 business days	1	Washer, Seal; (Prod Date) After 01-Mar-1990	no	Add To Cart
8	GASKET	GASKET	K0471701600	\$21.20	6 in stock	1	Washer, Seal; (Prod Date) After 01-Mar-1990	no	Add To Cart
9	COVER	PLATE	K3660221162	\$2.00	3-7 business days	1	Inspection; (Prod Date) After 01-Mar-1990	no	Add To Cart
10	BOLT	BOLT	K0112350816	\$0.35	3-7 business days	4	(Prod Date) After 01-Mar-1990	no	Add To Cart
11	GASKET	GASKET	K3660221172	\$17.49	3-7 business days	1	(Prod Date) After 01-Mar-1990	no	Add To Cart
12	PLUG	PLUG	K0633145020	\$8.05	1 in stock	1	(Prod Date) After 01-Mar-1990	no	Add To Cart

#	Title	Description	Part Number	Price	Stock	Job Quantity	Notes	Has Image	
13	GASKET	GASKET	K0471702000	\$17.76	7 in stock	1	Washer, Seal; (Prod Date) After 01-Mar-1990	no	Add To Cart
14	PIN, SPLIT (COTT	COTTER PIN	K0551150425		3-7 business days	1	Pin, Split; (Prod Date) After 01-Mar-1990	no	
14.1	PIN, SPLIT (COTT	replaces #K0551150425	86523956	\$0.21	5 in stock	1 to equal #K0551150425		no	Add To Cart
15	FILTER	FILTER	K3660221183		3-7 business days	1	Inlet; (Prod Date) After 01-Mar-1990	no	
15.1	FILTER	replaces #K3660221183	83964277	\$168.67	1 in stock	1 to equal #K3660221183		no	Add To Cart
16	O-RING	O-RING	SBA052100180	\$4.48	13 in stock	1	(Prod Date) After 01-Mar-1990	yes	Add To Cart
17	GASKET	GASKET	K3660221192		3-7 business days	1	(Prod Date) After 01-Mar-1990	no	
17.1	GASKET	replaces #K3660221192	83962268	\$7.27	9 in stock	1 to equal #K3660221192		no	Add To Cart
18	BOLT	BOLT	K0112351025	\$2.42	3-7 business days	4	(Prod Date) After 01-Mar-1990	no	Add To Cart
19	BUSHING, DRIVE	DRIVE BUSHING	K3660621151	\$159.00	3-7 business days	2	Bushing; (Prod Date) After 01-Mar-1990	no	Add To Cart
20	PLUG	PLUG	K3660621131	\$2.66	3-7 business days	1	Rubber; (Prod Date) After 01-Mar-1990	no	Add To Cart
21	PLUG	PLUG	K3660421191	\$2.00	3-7 business days	1	Rubber, W/8 x 8; (Prod Date) After 01-Mar-1990	no	Add To Cart
22	COVER	COVER	K3660221252	\$49.68	3-7 business days	1	Top, W/8 x 8, Not Illustrated; (Prod Date) After 01-May-1990	no	Add To Cart
22	COVER	COVER	K3660621251	\$709.17	3-7 business days	1	Top, W/16 x 8, Includes: Ref. 23 & 24; (Prod Date) After 01-Mar-1990	no	Add To Cart
23	GASKET	GASKET	K3660221261		3-7 business days	1	(Prod Date) After 01-Mar-1990	no	
23.1	GASKET	replaces #K3660221261	83962272	\$39.85	6 in stock	1 to equal #K3660221261		no	Add To Cart
24	BOLT	BOLT	K0112351035	\$1.63	3-7 business days	11	(Prod Date) After 01-Mar-1990	no	Add To Cart
25	PLUG	PLUG	K3660421271	\$2.42	3-7 business days	1	W/8 x 8; (Prod Date) After 01-Mar-1990	no	Add To Cart

#	Title	Description	Part Number	Price	Stock	Job Quantity	Notes	Has Image	
26	WASHER, SEALING	SEALING WASHER	K0471701400	\$21.00	3-7 business days	1	Washer, Seal, W/8 x 8; (Prod Date) After 01-Mar-1990	no	Add To Cart
27	DIPSTICK	DIPSTICK	K3660221525	\$237.35	3-7 business days	1	(Prod Date) After 01-Mar-1990	no	Add To Cart
28	GASKET	O-RING 0.139" Thk x 1.17" ID, -217, CI 5, 75 Duro	14463580	\$1.94	6 in stock	1	1.717" ID x .139" Thk; (Prod Date) After 01-Mar-1990	yes	Add To Cart
29	PLUG	PLUG	K3415027581	\$0.39	3-7 business days	4	(Prod Date) After 01-Mar-1990	no	Add To Cart