

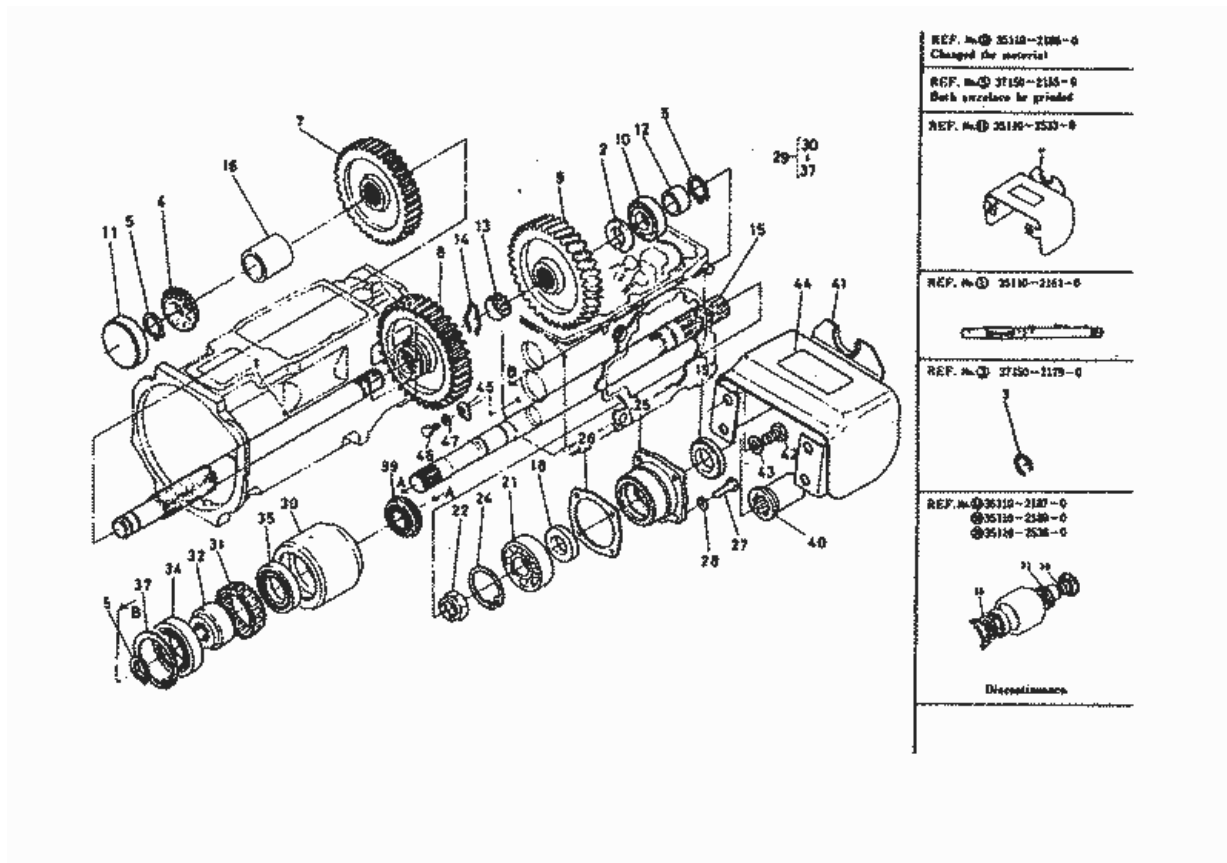
## L245DT (Dual Traction 4wd)

VENDOR: Kubota

SECTION: TRANSMISSION

DIAGRAM: **036000 GEAR DRIVE SYSTEM 3**

<https://www.messicks.com/ku/85275?sectionId=218380&diagramId=351002>



#	Title	Description	Part Number	Price	Stock	Job Quantity	Notes	Has Image	
001	SHAFT COUNTER	COUNTERSHAFT	35110-21610	\$267.24	5-10 business days	1	S/N Break. Please Call	no	<a href="#">Add To Cart</a>
001	SHAFT COUNTER	COUNTERSHAFT	35110-21610	\$267.24	5-10 business days	1	S/N Break. Please Call	no	<a href="#">Add To Cart</a>
001	COUNTERSHAFT, PT	COUNTERSHAFT PTO	35110-25320	\$129.43	5-10 business days	1	S/N Break. Please Call	no	<a href="#">Add To Cart</a>
002	COLLAR THRUST	COLLAR,THRUST	37150-21760	\$10.25	5-10 business days	1		no	<a href="#">Add To Cart</a>
003	CIR-CLIP	CIR-CLIP	37150-21790	\$2.21	2 in stock	1	S/N Break. Please Call	no	<a href="#">Add To Cart</a>
003	CIR-CLIP	CIR-CLIP	37150-21790	\$2.21	2 in stock	1	S/N Break. Please Call	no	<a href="#">Add To Cart</a>
004	BRG BALL RADIAL2	BEARING BALL	08151-06205	\$9.10	1 in stock	1		no	<a href="#">Add To Cart</a>
005	CIR-CLIP	CIR-CLIP,EXTERNAL	04612-00250	\$1.04	79 in stock	3	S/N Break. Please Call	yes	<a href="#">Add To Cart</a>

#	Title	Description	Part Number	Price	Stock	Job Quantity	Notes	Has Image	
005	CIR-CLIP, EXTERN	CIR-CLIP EXTERNAL	37150-21550		5-10 business days	3	S/N Break. Please Call	no	
005.1	CIR-CLIP, EXTERN	replaces #37150-21550	37150-21551	\$9.19	9 in stock	1 to equal #37150-21550		yes	<a href="#">Add To Cart</a>
005	CIR-CLIP, EXTERN	CIR-CLIP EXTERNAL	37150-21550		5-10 business days	3	S/N Break. Please Call	no	
007	GEAR 41	GEAR	37150-21720	\$232.80	5-10 business days	1		no	<a href="#">Add To Cart</a>
008	GEAR 45	GEAR	37150-21730	\$138.55	5-10 business days	1		no	<a href="#">Add To Cart</a>
009	GEAR 45	GEAR 45	37150-21740	\$112.96	5-10 business days	1		no	<a href="#">Add To Cart</a>
010	Spindle Bearing	BEARING,BALL	08101-06205	\$9.35	100+ in stock	1		yes	<a href="#">Add To Cart</a>
011	COVER	COVER,BEARING	34150-21650	\$11.70	2 in stock	1		yes	<a href="#">Add To Cart</a>
012	COLLAR	COLLAR	37150-21770	\$2.73	5-10 business days	1		no	<a href="#">Add To Cart</a>
013	BOSS	BOSS SPLINE	37150-21750	\$146.65	5-10 business days	1		no	<a href="#">Add To Cart</a>
014	STOPPER	RING	37150-21780		5-10 business days	1		no	
014.1	SNAP RING ASSY.	replaces #37150-21780	35110-99120	\$16.66	5-10 business days	1 to equal #37150-21780		no	<a href="#">Add To Cart</a>
015	SHAFT, PTO	SHAFT PTO	37150-25310	\$859.84	5-10 business days	1		no	<a href="#">Add To Cart</a>
016	COLLAR	COLLAR	35110-21750	\$8.73	5-10 business days	1		no	<a href="#">Add To Cart</a>
018	SEAL, OIL	SEAL,OIL	37150-25360	\$10.72	2 in stock	1		yes	<a href="#">Add To Cart</a>
019	SLINGER	SLINGER	37150-25370	\$8.14	5-10 business days	1		yes	<a href="#">Add To Cart</a>
021	BRG BALL	BEARING,BALL	08101-06206	\$8.85	100+ in stock	1		yes	<a href="#">Add To Cart</a>
022	NUT	NUT	34150-25320	\$9.77	4 in stock	1		yes	<a href="#">Add To Cart</a>
024	CIR-CLIP, INTERN	CIR-CLIP,INTERNAL	04611-00620	\$3.40	79 in stock	1		yes	<a href="#">Add To Cart</a>
025	CASE, BEARING GE	CASE BEARING	37150-25410		5-10 business days	1		no	
025.1	HOLDER, BEARING	replaces #37150-25410	H3710-25410	\$104.80	5-10 business days	1 to equal #37150-25410		no	<a href="#">Add To Cart</a>

#	Title	Description	Part Number	Price	Stock	Job Quantity	Notes	Has Image	
026	PACKING	GASKET	37150-25420		5-10 business days	1		no	
026.1	GASKET NA	replaces #37150-25420	32448-99130	\$3.45	2 in stock	1 to equal #37150-25420		no	<a href="#">Add To Cart</a>
027	BOLT	BOLT	01153-50822	\$1.55	3 in stock	4		yes	<a href="#">Add To Cart</a>
028	WASHER,SPRING*CR	WASHER,SPRING LOCK	04512-50080	\$0.86	5-10 business days	4		no	<a href="#">Add To Cart</a>
030	CASE, CLUTCH	CASE CLUTCH	35110-21830		5-10 business days	1	S/N Break. Please Call	no	
030.1	CLUTCH ASSY	replaces #35110-21830	35110-21800	\$2,103.25	5-10 business days	1 to equal #35110-21830		no	<a href="#">Add To Cart</a>
030	CASE, CLUTCH	CASE CLUTCH	35110-21834		5-10 business days	1	S/N Break. Please Call	no	
030.1	CLUTCH ASSY	replaces #35110-21834	35110-21800	\$2,103.25	5-10 business days	1 to equal #35110-21834		no	<a href="#">Add To Cart</a>
031	CLUTCH	CLUTCH	35110-21850	\$328.23	5-10 business days	1		no	<a href="#">Add To Cart</a>
032	COUPLING - ** *	COUPLING 1	35110-21860	\$137.55	5-10 business days	1	S/N Break. Please Call	no	<a href="#">Add To Cart</a>
032	COUPLING	COUPLING 1	35110-21865		5-10 business days	1	S/N Break. Please Call	no	
032.1	CLUTCH ASSY	replaces #35110-21865	35110-21800	\$2,103.25	5-10 business days	1 to equal #35110-21865		no	<a href="#">Add To Cart</a>
033	COUPLING - 2	COUPLING 2	35110-21870		5-10 business days	1	S/N Break. Please Call	no	
033.1	CLUTCH ASSY	replaces #35110-21870	35110-21800	\$2,103.25	5-10 business days	1 to equal #35110-21870		no	<a href="#">Add To Cart</a>
034	BRG	BEARING,BALL	08101-06009	\$17.20	11 in stock	1		yes	<a href="#">Add To Cart</a>
035	BRG BALL RADIAL	BEARING	35110-21880	\$18.58	5-10 business days	1	S/N Break. Please Call	no	<a href="#">Add To Cart</a>
035	BRG BALL RADIAL4	BEARING BALL(6008)	08101-06008	\$16.41	3 in stock	1	S/N Break. Please Call	yes	<a href="#">Add To Cart</a>
036	WASHER***	WASHER	35110-21890	\$3.25	5-10 business days	1	S/N Break. Please Call	no	<a href="#">Add To Cart</a>
037	CIR-CLIP, INTERN	CIR-CLIP,INTERNAL	04611-00750	\$6.50	5 in stock	1		yes	<a href="#">Add To Cart</a>
038	COLLAR -2 **	COLLAR 2	35110-25380	\$3.19	5-10 business days	1	S/N Break. Please Call	no	<a href="#">Add To Cart</a>

#	Title	Description	Part Number	Price	Stock	Job Quantity	Notes	Has Image	
039	BRG BALL RADIAL2	BEARING BALL	08151-06205	\$9.10	1 in stock	1		no	<a href="#">Add To Cart</a>
040	CAP TO SHAFT	CAP	31220-25820	\$8.44	9 in stock	1		yes	<a href="#">Add To Cart</a>
041	PROTR, PTO SHAFT	PROTECTUR SHAFT PTO	35110-25332		5-10 business days	1	S/N Break. Please Call	no	
041.1	PROTR, PTO SHAFT	replaces #35110-25332	35110-25330	\$62.54	5-10 business days	1 to equal #35110-25332		no	<a href="#">Add To Cart</a>
041	PROTR, PTO SHAFT	PROTECTUR SHAFT PTO	35110-25333		5-10 business days	1	S/N Break. Please Call	no	
041.1	PROTR, PTO SHAFT	replaces #35110-25333	35110-25330	\$62.54	5-10 business days	1 to equal #35110-25333		no	<a href="#">Add To Cart</a>
041	PROTR, PTO SHAFT	PROTECTUR SHAFT PTO	35110-25333		5-10 business days	1	S/N Break. Please Call	no	
041	PROTR, PTO SHAFT	PROTECTUR SHAFT PTO	35110-25335		5-10 business days	1	S/N Break. Please Call	no	
041.1	PROTR, PTO SHAFT	replaces #35110-25335	35110-25330	\$62.54	5-10 business days	1 to equal #35110-25335		no	<a href="#">Add To Cart</a>
042	BOLT	HEX.BOLT	01173-51225	\$1.39	13 in stock	2	S/N Break. Please Call	yes	<a href="#">Add To Cart</a>
042	BOLT	HEX.BOLT	01173-51225	\$1.39	13 in stock	4	S/N Break. Please Call	yes	<a href="#">Add To Cart</a>
042	BOLT	HEX.BOLT	01173-51225	\$1.39	13 in stock	4	S/N Break. Please Call	yes	<a href="#">Add To Cart</a>
043	WASHER, SPRING *	WASHER SPRING	04512-50120	\$1.81	100+ in stock	2	S/N Break. Please Call	no	<a href="#">Add To Cart</a>
043	WASHER, SPRING *	WASHER SPRING	04512-50120	\$1.81	100+ in stock	4	S/N Break. Please Call	no	<a href="#">Add To Cart</a>
043	WASHER, SPRING *	WASHER SPRING	04512-50120	\$1.81	100+ in stock	4	S/N Break. Please Call	no	<a href="#">Add To Cart</a>
044	LABEL, CLUTCH	LABEL CHUTCH	34159-21990	\$1.69	5-10 business days	1	S/N Break. Please Call	no	<a href="#">Add To Cart</a>
044	LABEL	LABEL	35110-21990	\$1.78	2 in stock	1	S/N Break. Please Call	yes	<a href="#">Add To Cart</a>
045	RETAINER, BEARIN	RETAINER BEARING	34150-21940		5-10 business days	1		no	
045.1	RETAINER, BEARIN	replaces #34150-21940	34150-21942	\$5.09	5-10 business days	1 to equal #34150-21940		no	<a href="#">Add To Cart</a>
046	BOLT	HEX.BOLT	01153-50820	\$1.34	15 in stock	1		yes	<a href="#">Add To Cart</a>

#	Title	Description	Part Number	Price	Stock	Job Quantity	Notes	Has Image	
---	-------	-------------	-------------	-------	-------	--------------	-------	-----------	--

047	WASHER,SPRING*CR	WASHER,SPRING LOCK	04512-50080	\$0.86	5-10 business days	1		no	<a href="#">Add To Cart</a>
-----	------------------	--------------------	-------------	--------	--------------------	---	--	----	-----------------------------