

Last Modified: 06-23-2020	6.10:8.0.50	Doc ID: RM0000022JK018X
Model Year Start: 2011	Model: Venza	Prod Date Range: [10/2010 -]
Title: BRAKE SYSTEM (OTHER): BRAKE BOOSTER: REMOVAL; 2011 MY Venza [10/2010 -]		

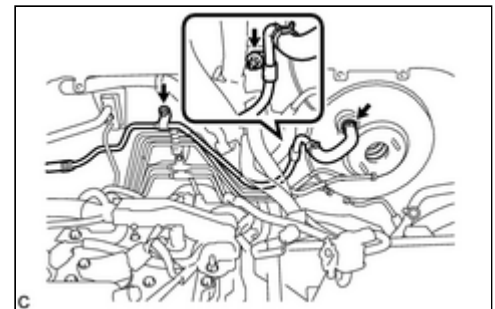
REMOVAL

NOTICE:

Release the vacuum from the booster by depressing the brake pedal several times. Then remove the brake master cylinder from the brake booster.

1. REMOVE FRONT WIPER ARM HEAD CAP
2. REMOVE FRONT WIPER ARM AND BLADE ASSEMBLY LH [INFO](#)
3. REMOVE FRONT WIPER ARM AND BLADE ASSEMBLY RH [INFO](#)
4. REMOVE FRONT FENDER TO COWL SIDE SEAL LH [INFO](#)
5. REMOVE FRONT FENDER TO COWL SIDE SEAL RH [INFO](#)
6. REMOVE COWL TOP VENTILATOR LOUVER SUB-ASSEMBLY [INFO](#)
7. REMOVE WINDSHIELD WIPER MOTOR AND LINK ASSEMBLY [INFO](#)
8. REMOVE OUTER COWL TOP PANEL [INFO](#)
9. REMOVE AIR CLEANER CAP SUB-ASSEMBLY (for 1AR-FE) [INFO](#)
10. REMOVE AIR CLEANER CAP SUB-ASSEMBLY (for 2GR-FE) [INFO](#)
11. REMOVE AIR CLEANER FILTER ELEMENT SUB-ASSEMBLY
12. REMOVE AIR CLEANER CASE (for 1AR-FE) [INFO](#)
13. REMOVE AIR CLEANER CASE (for 2GR-FE) [INFO](#)
14. REMOVE SECURITY HORN ASSEMBLY (w/ Security Horn) [INFO](#)
15. REMOVE BRAKE MASTER CYLINDER SUB-ASSEMBLY [INFO](#)
16. SEPARATE NO. 1 VACUUM HOSE CONNECTOR (for 1AR-FE)

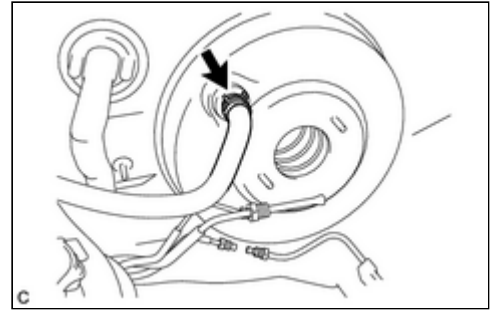
(a) Slide the clip and disconnect the vacuum hose from the brake booster assembly.



(b) Remove the 2 nuts and separate the No. 1 vacuum hose connector.

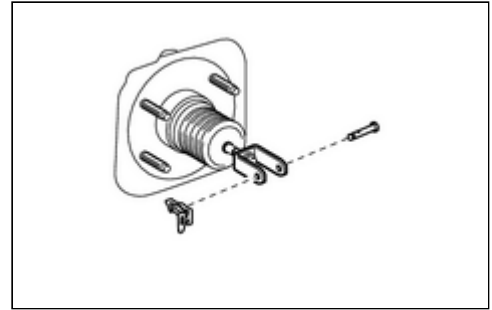
17. DISCONNECT VACUUM HOSE (for 2GR-FE)

- (a) Slide the clip and disconnect the vacuum hose from the brake booster assembly.



18. REMOVE PUSH ROD PIN

- (a) Remove the clip and push rod pin.

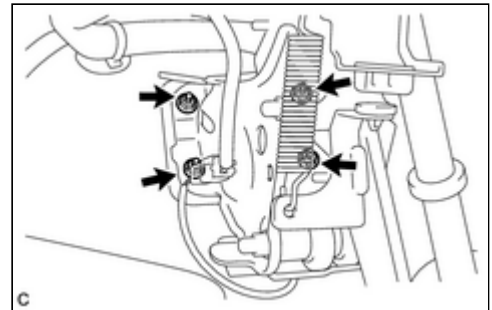


19. REMOVE BRAKE BOOSTER ASSEMBLY

- (a) Remove the 4 nuts and brake booster assembly from the body.

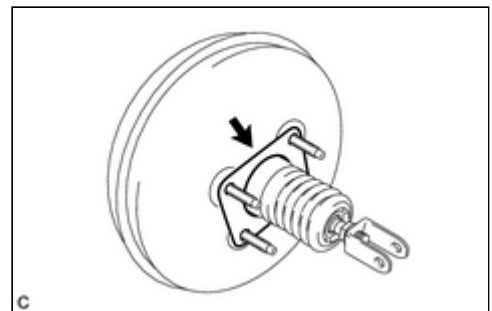
NOTICE:

Do not damage the brake lines.



20. REMOVE BRAKE BOOSTER GASKET

- (a) Remove the brake booster gasket from the brake booster assembly.



21. REMOVE BRAKE MASTER CYLINDER PUSH ROD CLEVIS

- (a) Loosen the lock nut, and remove the brake master cylinder push rod clevis and lock nut.

22. REMOVE BRAKE VACUUM CHECK VALVE ASSEMBLY

- (a) Remove the brake vacuum check valve assembly from the brake booster assembly.

23. REMOVE CHECK VALVE GROMMET

(a) Remove the check valve grommet from the brake booster assembly.

