

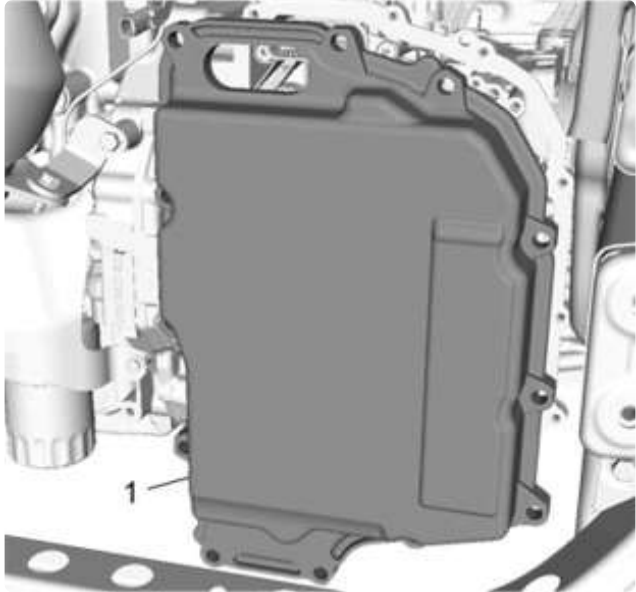
2019 Buick Truck Enclave AWD V6-3.6L

CONTROL VALVE SOLENOID BODY REPLACEMENT

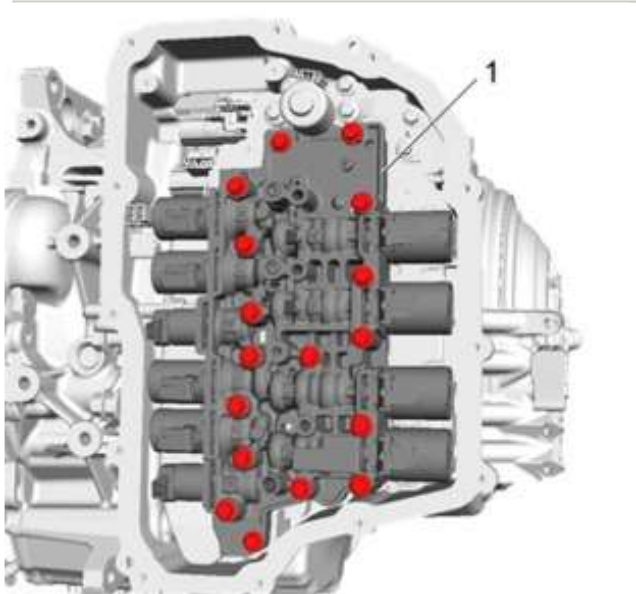
Document ID: 4496453

Removal Procedure

1. Remove the control valve body cover (1) from the transmission. Control Valve Body Cover Replacement



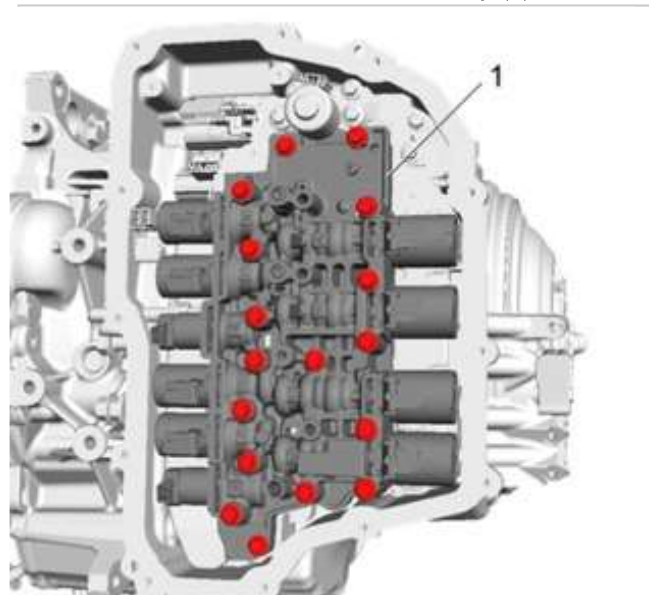
2. Remove the control valve solenoid body (1) from the transmission. Control Valve Body Assembly Removal



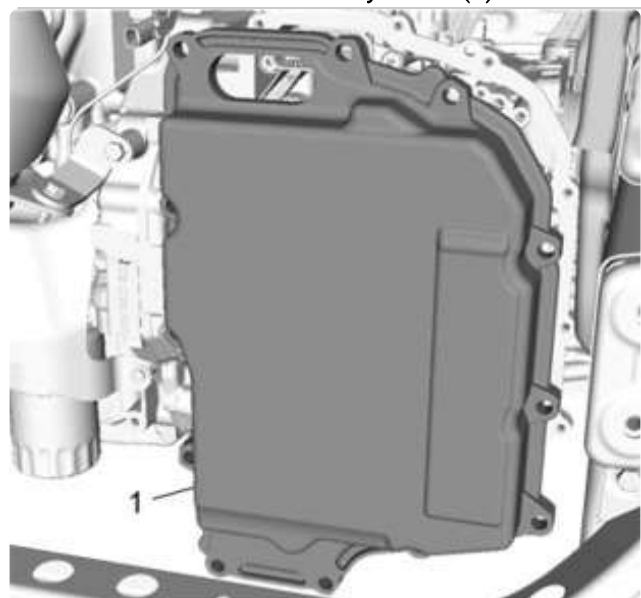
Installation Procedure

1. Document the new Transmission Unique Number (TUN) or Part Unique Number (PUN) as required.

2. Install the control valve solenoid body (1) to the transmission. Control Valve Body Assembly Installation



3. Install the control valve body cover (1) to the transmission. Control Valve Body Cover Replacement



4. Reprogram the transmission. Solenoid Valve Characterization Reprogramming