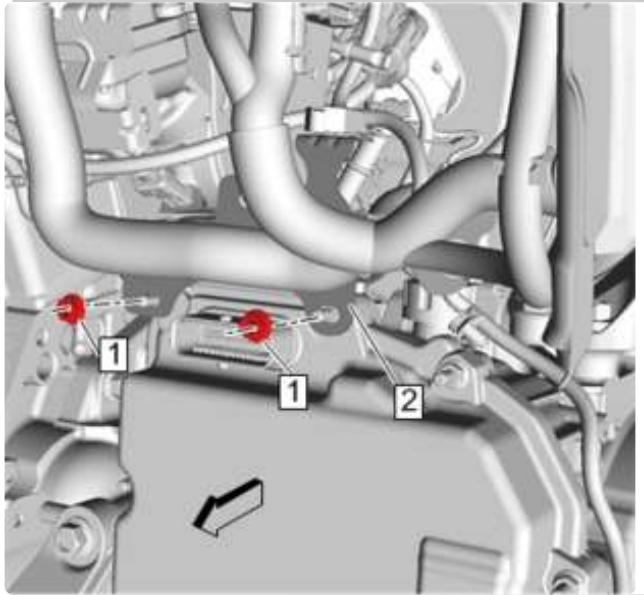


CONTROL VALVE BODY COVER REPLACEMENT

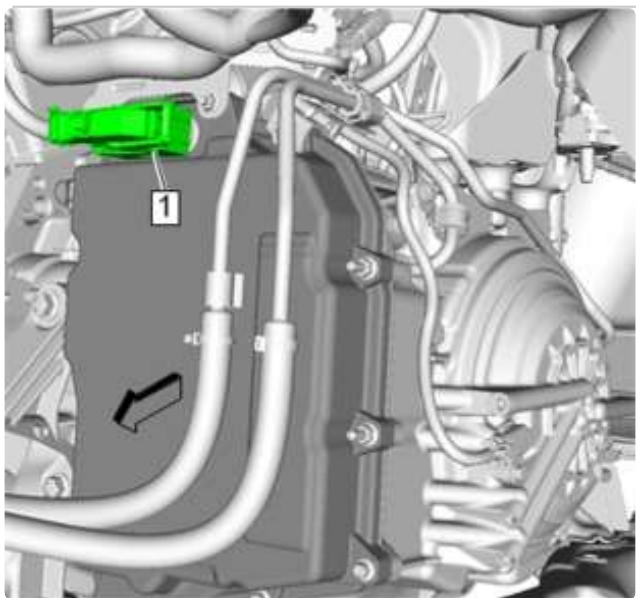
Document ID: 4712513

Removal Procedure

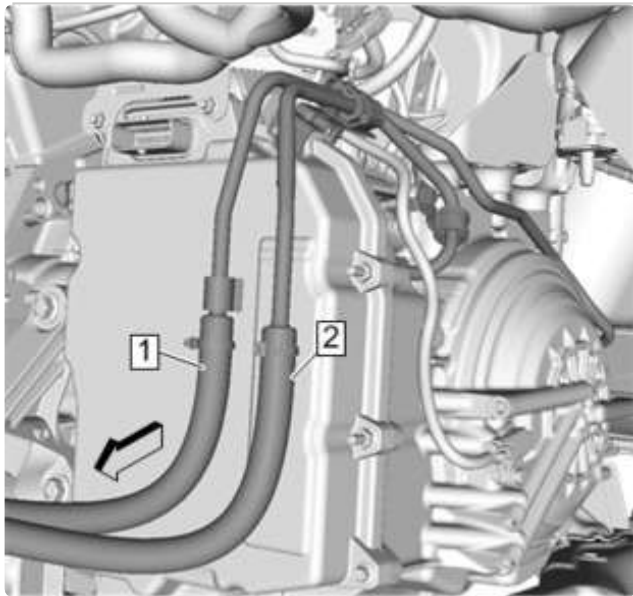
1. Disconnect the battery negative cable. Battery Negative Cable Disconnection and Connection
2. Remove the electrical harness bracket nuts (1).



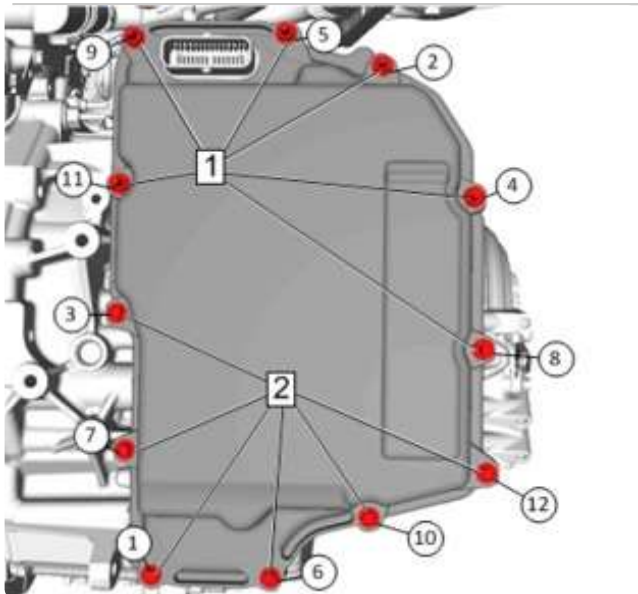
3. Remove the electrical harness bracket (2) from the control valve body cover and position out of the way.
4. Drain the transmission fluid. Transmission Fluid Drain and Fill
5. Disconnect the control valve body transmission control module electrical connector (1), then unclip the wiring harness from the cover.



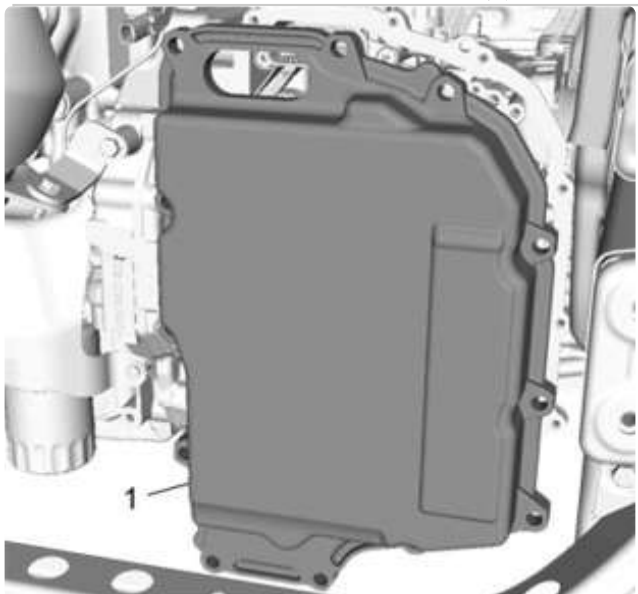
6. Disconnect the transmission fluid cooler outlet pipe (1, 2) from the transmission. Transmission Fluid Cooler Pipe Replacement



7. Remove the body ground cable and wiring harness assembly mounting bolt at front of transmission and position ground cable and harness out of the way.
8. Remove the control valve body cover bolts (1, 2).



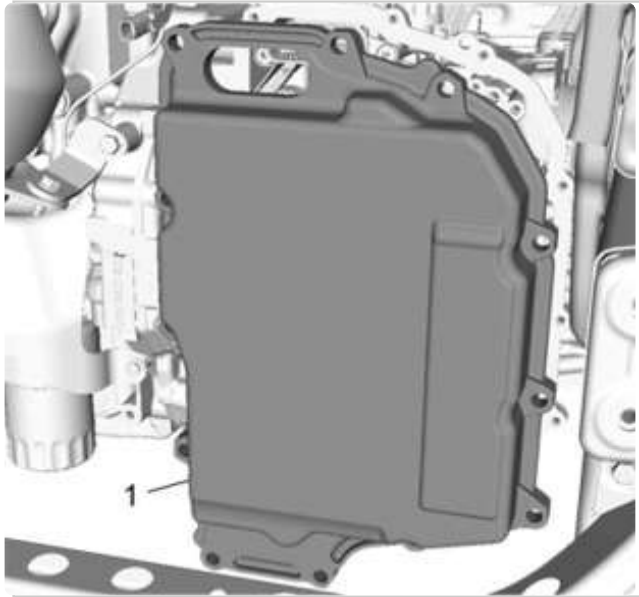
9. Remove the control valve body cover (1).



10. Clean the transmission case and control valve body cover gasket surfaces. Inspect and replace the gasket as necessary.

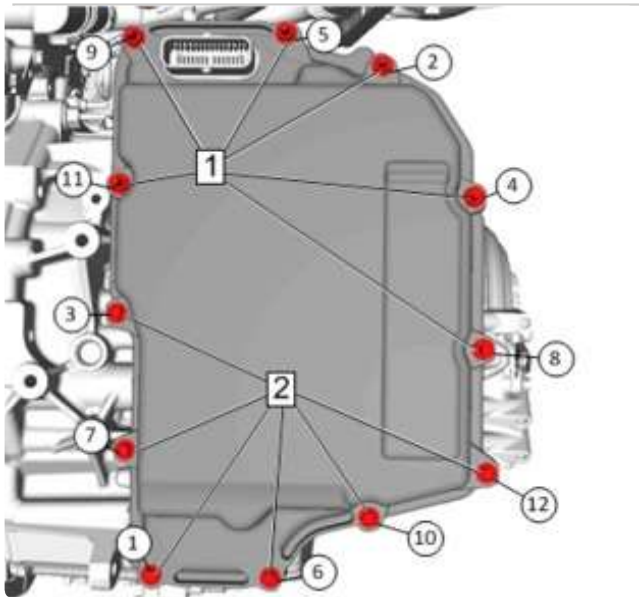
Installation Procedure

1. Install the control valve body cover (1) and gasket.



Note: The number (1) bolts are stud bolts.

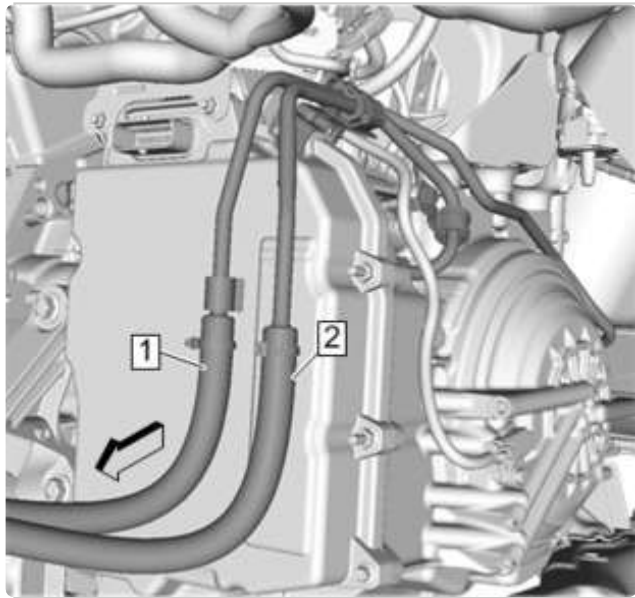
2. Hand start the control valve body cover bolts (1, 2).



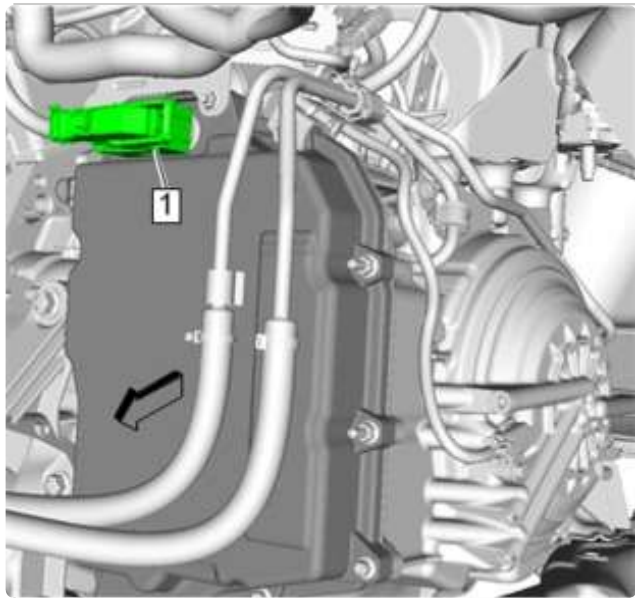
Caution: Refer to Fastener Caution.

Note: Install all control valve body cover bolts and stud bolts by hand then torque all bolts in sequence.

3. Install the control valve body cover bolts. Tighten the bolts in sequence to **10 Nm (89 lb in)**.
4. Install the body ground cable and wiring harness assembly to the front of transmission.
5. Connect the transmission fluid cooler outlet pipe (1, 2) to the transmission. Transmission Fluid Cooler Pipe Replacement



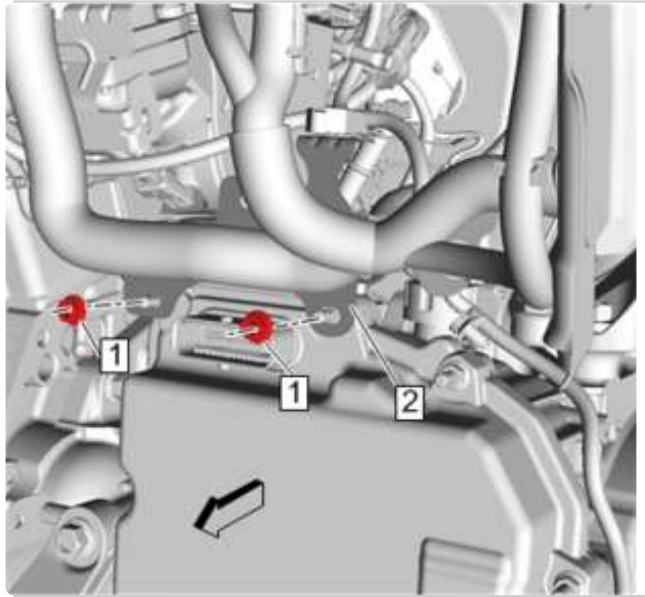
6. Connect the control valve body transmission control module electrical connector (1), then clip the wiring harness to the cover.



7. Fill the transmission with correct fluid. Adhesives, Fluids, Lubricants, and Sealers

8. Check transmission fluid level. Transmission Fluid Level and Condition Check

9. Install the electrical harness bracket (2) to the control valve body cover.



10. Install the electrical harness bracket nuts (1) and tighten the bolts to **9 Nm (80 lb in)** .

11. Connect the battery negative cable. Battery Negative Cable Disconnection and Connection

12. Check for leaks.