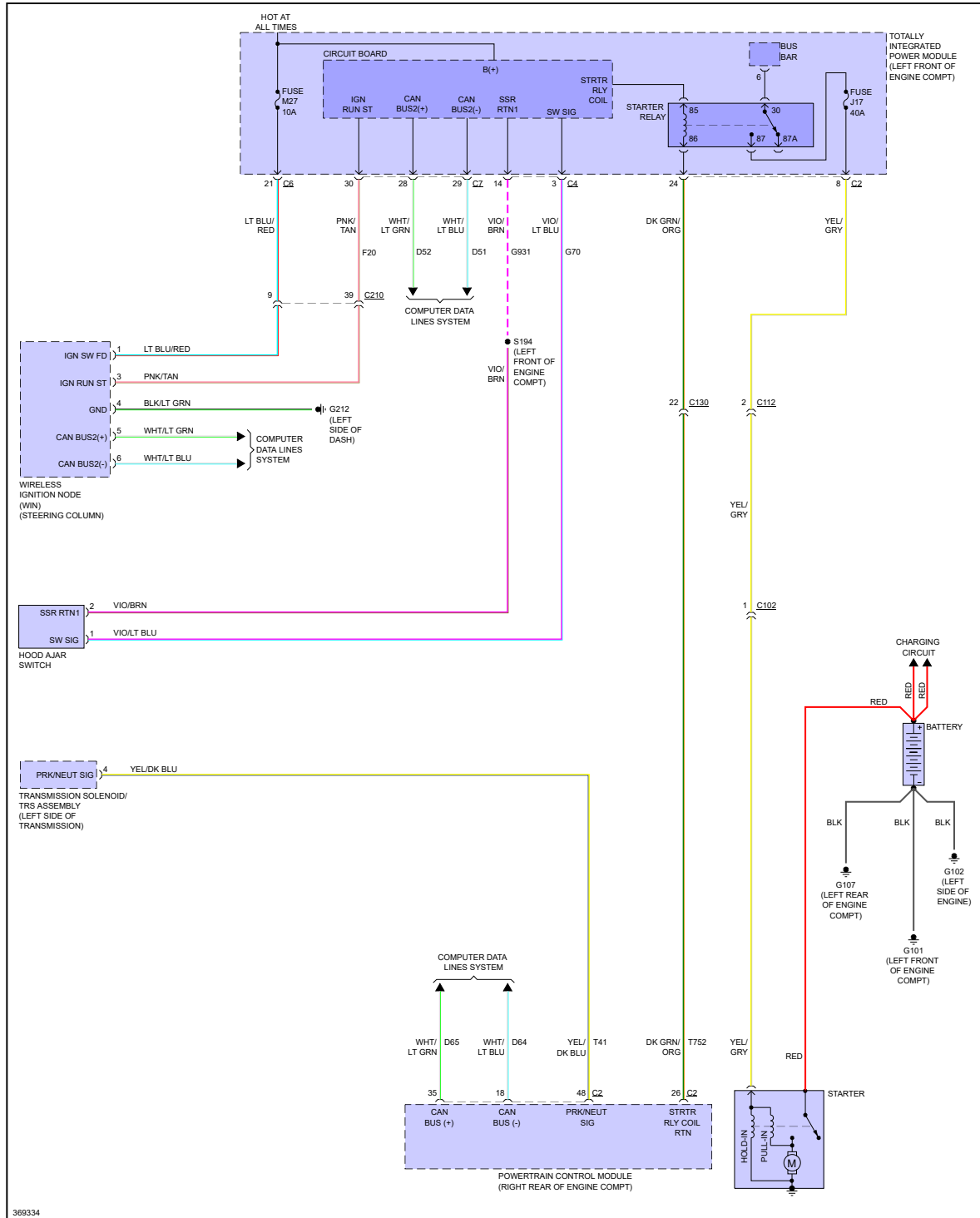


PRODEMAND

YMMS: 2011 RAM Pickup 3500
Engine: 6.7L Eng
VIN:

May 1, 2022
License:
Odometer:

Fig 2: 6.7L Turbo Diesel, Starting Circuit



369334