

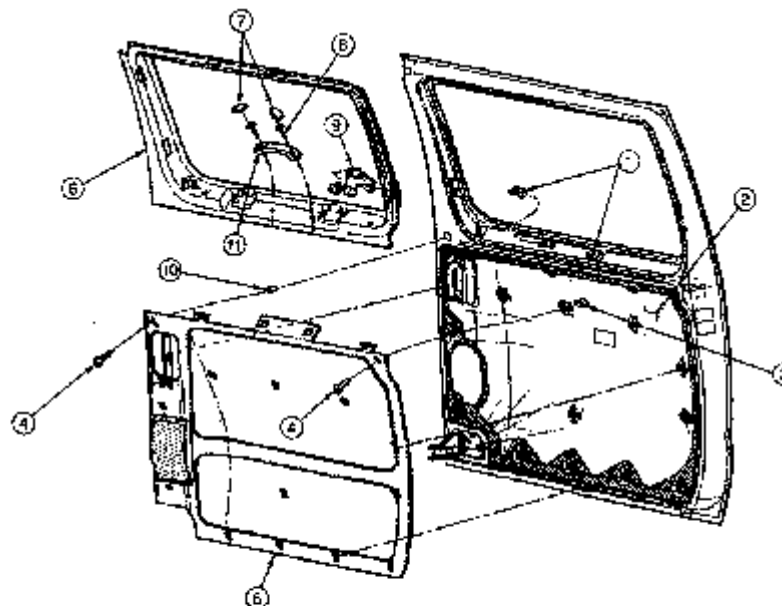
## 1993 Ford E-350 Econoline : Body > Interior > Panels & Trim > Removal & Installation > Door Panel > Sliding Door > Hi-Series Models

Listen

### Hi-Series Models

1. Partially open the door.
2. Remove the door pull handle retainer cover and screws.
3. Loosen the flipper window latch screws. Push the window out and rest the latches on the outside of the door.
4. Pull the rear door garnish molding away from the window starting at the front lower corner and working rearward.
5. Loosen all screws, then lift panel up and remove it.

#### To install:



Item	Description
1	Spring Nut (2 Req'd)
2	Water Shield
3	Push Nut
4	Screw(s)
5	Door Trim Panel
8	Rear Door Window Garnish Molding

Item	Description
7	Door Pull Handle Retainer Cover
9	Screw, Round Washer Head, Tapping (2 Req'd)
9	Garnish Molding Retainer
10	Push Nut
11	Assist Handle

Sliding door trim panel components-1992-96 Hi-series models

[Click to Enlarge](#)

6. Install the panel on the door and tighten the screws.
7. Install the garnish molding starting at the front edge and working back.
8. Engage the flipper window latches and tighten the screws.
9. Install the door handle cover and tighten the screws.
10. Close the door.