

LIFTGATE LATCH MANUAL RELEASE

Liftgate Latch Manual Release

Special Tool(s)/ General Equipment

Flat-Bladed Screwdriver

Activation

1. **NOTE:** LH (left-hand) side shown, RH (right-hand) side similar.

On both sides.

Open both [rear doors](#).

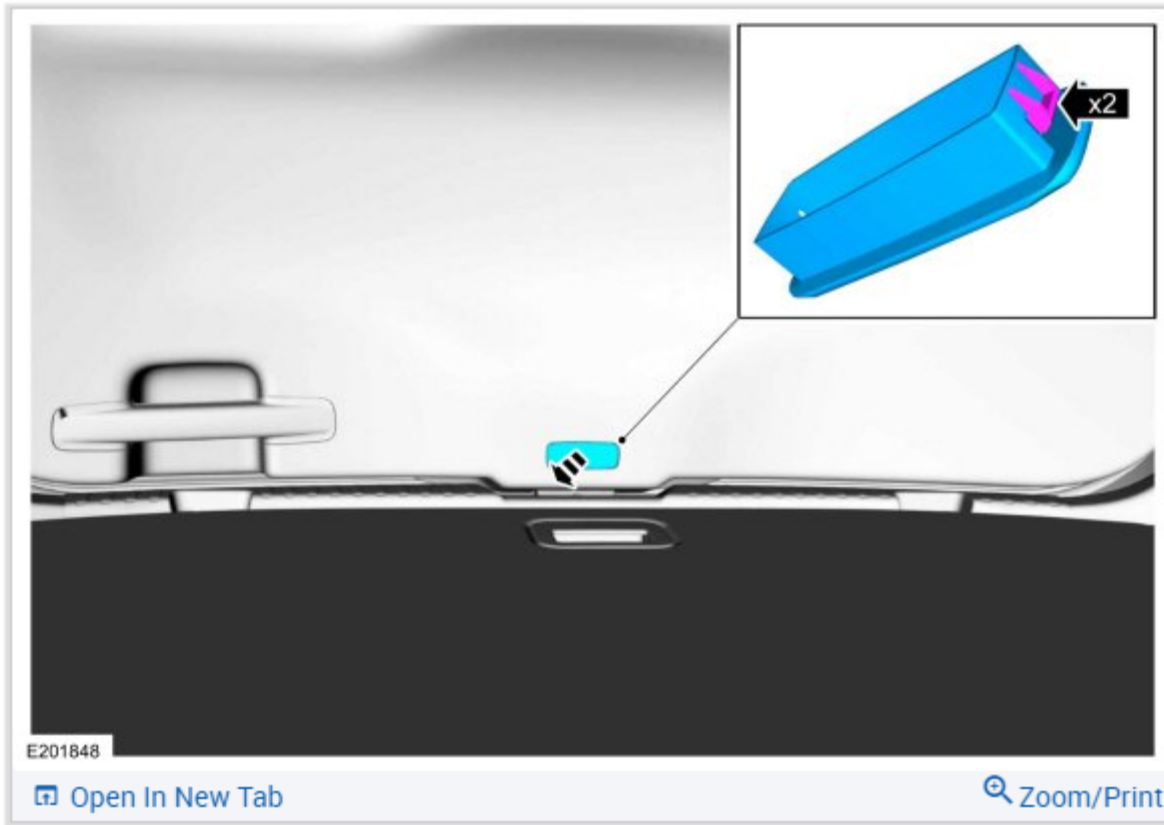




2. Release the second row seat cushion latch and position the **seat backrest** in the full flat position.



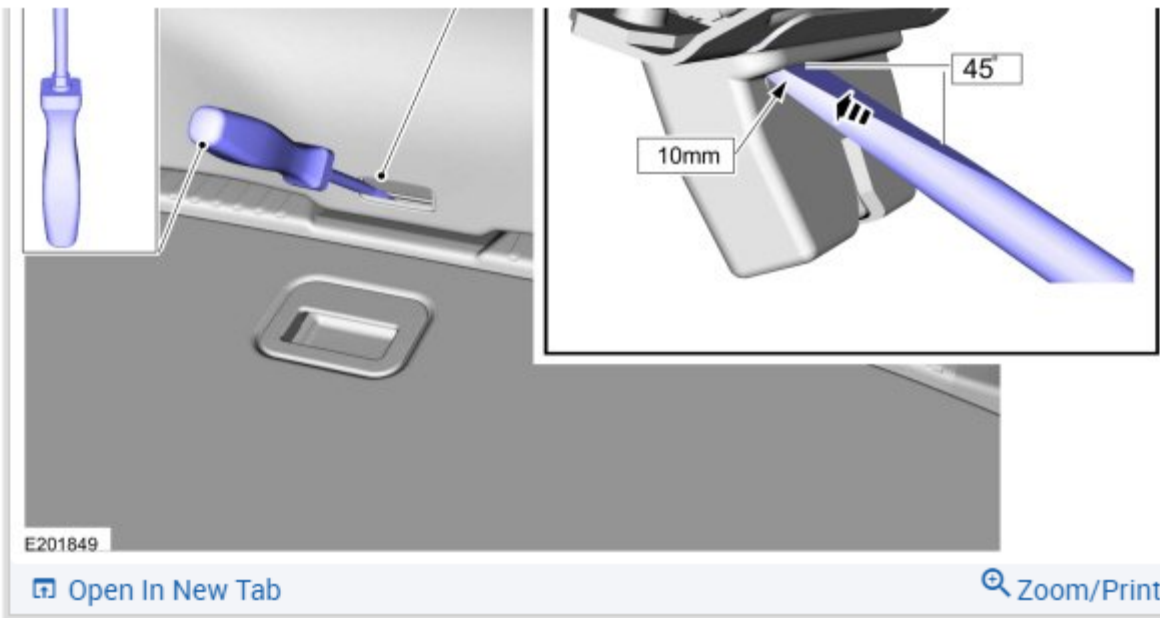
3. Remove the liftgate latch access cover from the center of the liftgate trim panel.



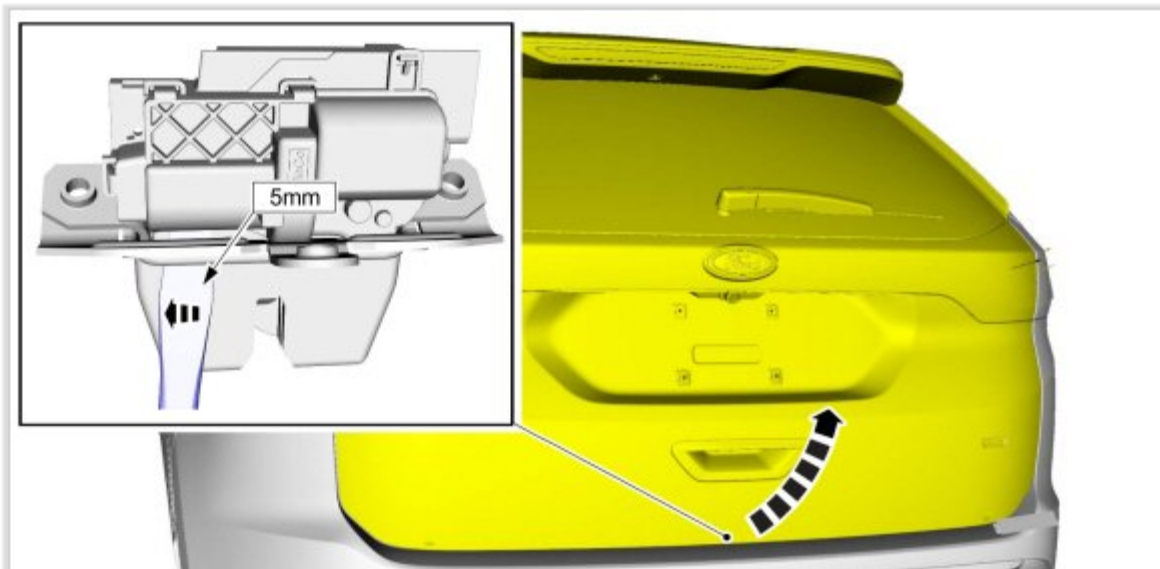
4. Insert a 3.5 mm wide flat-bladed screwdriver through the access cover opening at a 45 degree angle 10 mm deep into the RH (right-hand) side of the slot.

Use the General Equipment: Flat-Bladed Screwdriver





5. Slide the 3.5 mm wide flat-bladed screwdriver through the access cover opening 5 mm to the LH (left-hand) side of the slot. Releasing the liftgate latch and opening the liftgate.
Use the General Equipment: Flat-Bladed Screwdriver





E201844

[Open In New Tab](#)

[Zoom/Print](#)