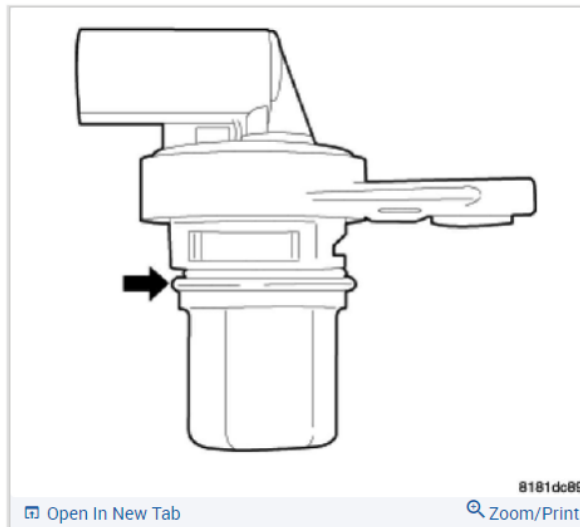


## 2.4L FRONT

### 2.0, 2.4L FRONT



1. Remove the air cleaner hose to throttle body, disconnect the inlet air temperature sensor electrical connector.
2. Disconnect negative battery cable.
3. Disconnect electrical connector from camshaft position sensor.
4. Remove camshaft position sensor mounting screws.



5. Remove sensor.