

## 2.4L REAR

### 2.0, 2.4L REAR



1. Disconnect negative battery cable.
2. Disconnect electrical connector at sensor.
3. Remove nut retaining heat shield.



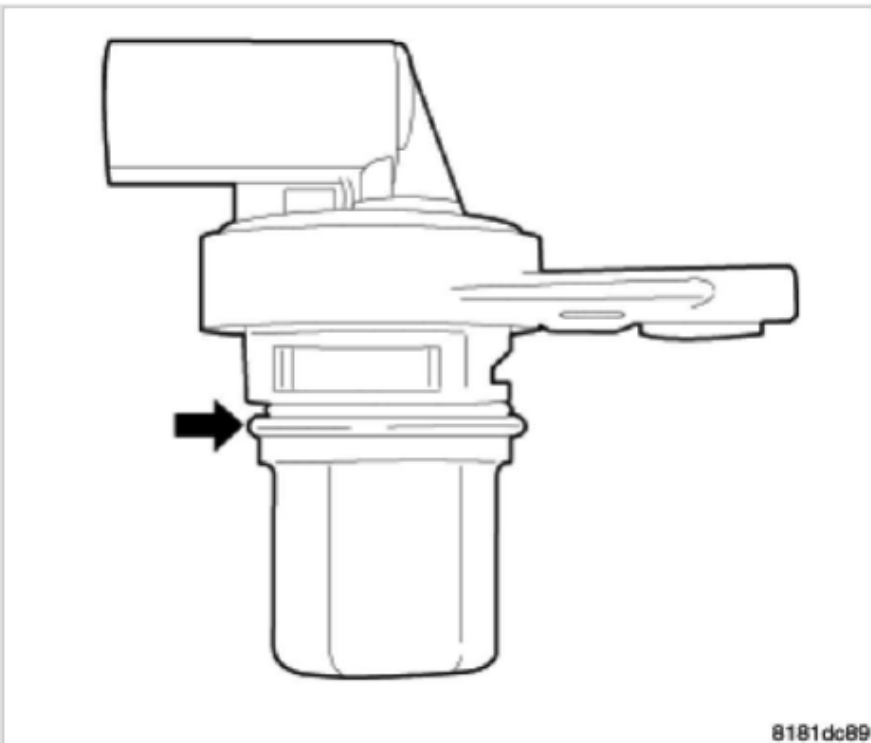


8181dd4e


[Open In New Tab](#)

[Zoom/Print](#)

4. Pull heat shield out to uncover sensor.
5. Remove mounting bolt.



8181dc89

 Open In New Tab

 Zoom/Print

6. Remove sensor.