

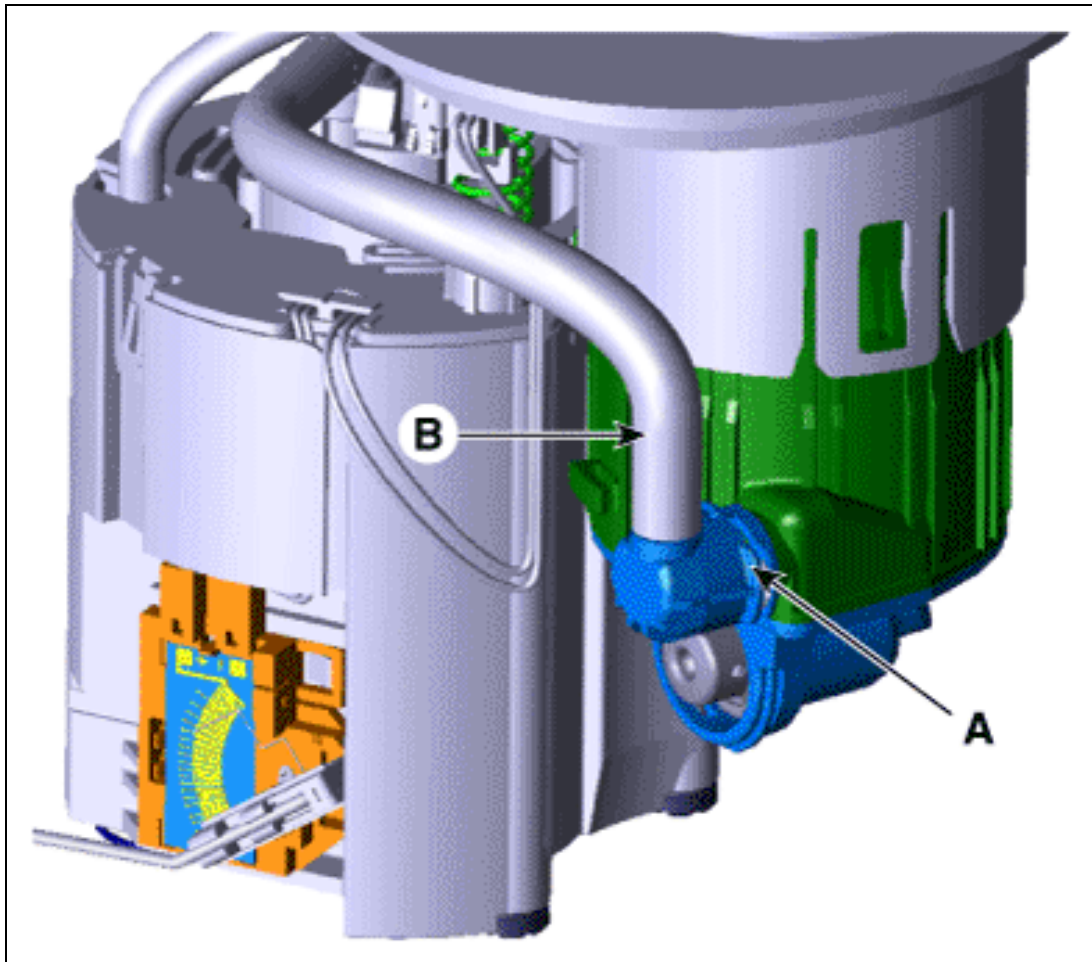
## FUEL FILTER > REPAIR PROCEDURES > REPLACEMENT

1. Remove the fuel pump.

(Refer to Low Pressure Fuel Pump Fuel Delivery System )

2. Remove the fixing clip (A), and then disconnect the fuel tube (B).

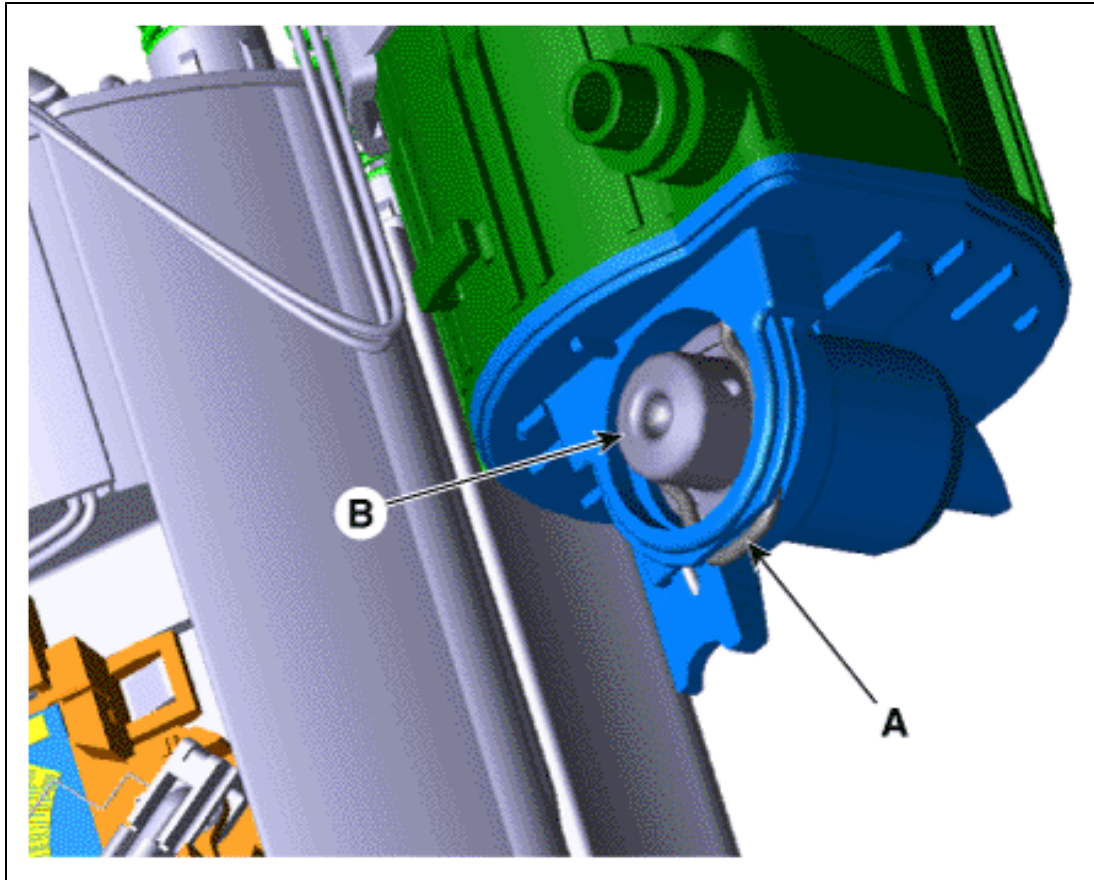
Fig 1: Disconnecting Fuel Tube



Courtesy of KIA MOTORS AMERICA, INC.

3. Remove the fuel pressure regulator fixing clip (A).
4. Remove the fuel pressure regulator (B) from the fuel filter.

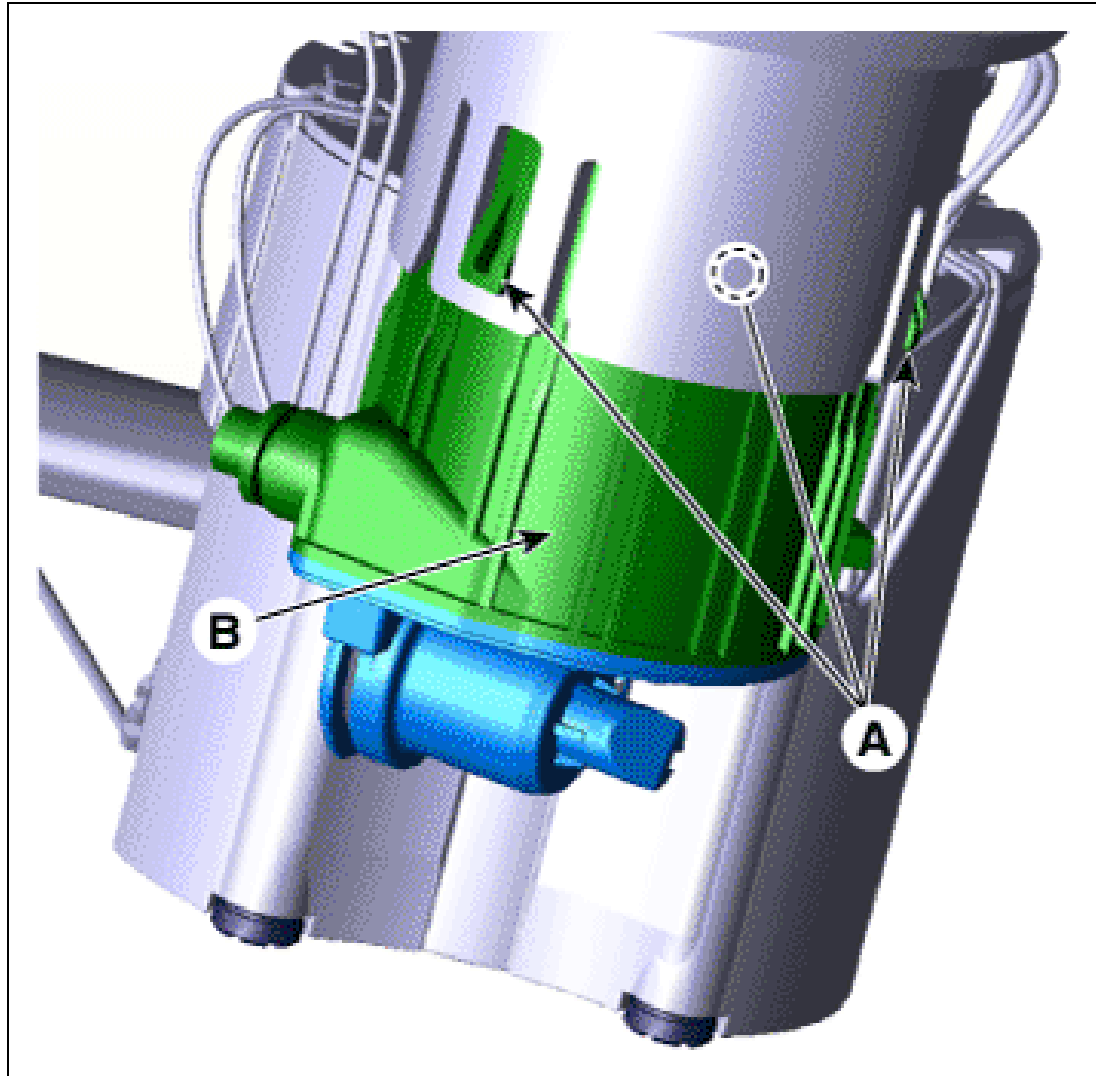
Fig 2: Removing Fuel Pressure Regulator Fixing Clip



Courtesy of KIA MOTORS AMERICA, INC.

5. Release the fixing hook (A), and then remove the fuel filter (B).

Fig 3: Removing Fuel Filter



Courtesy of KIA MOTORS AMERICA, INC.