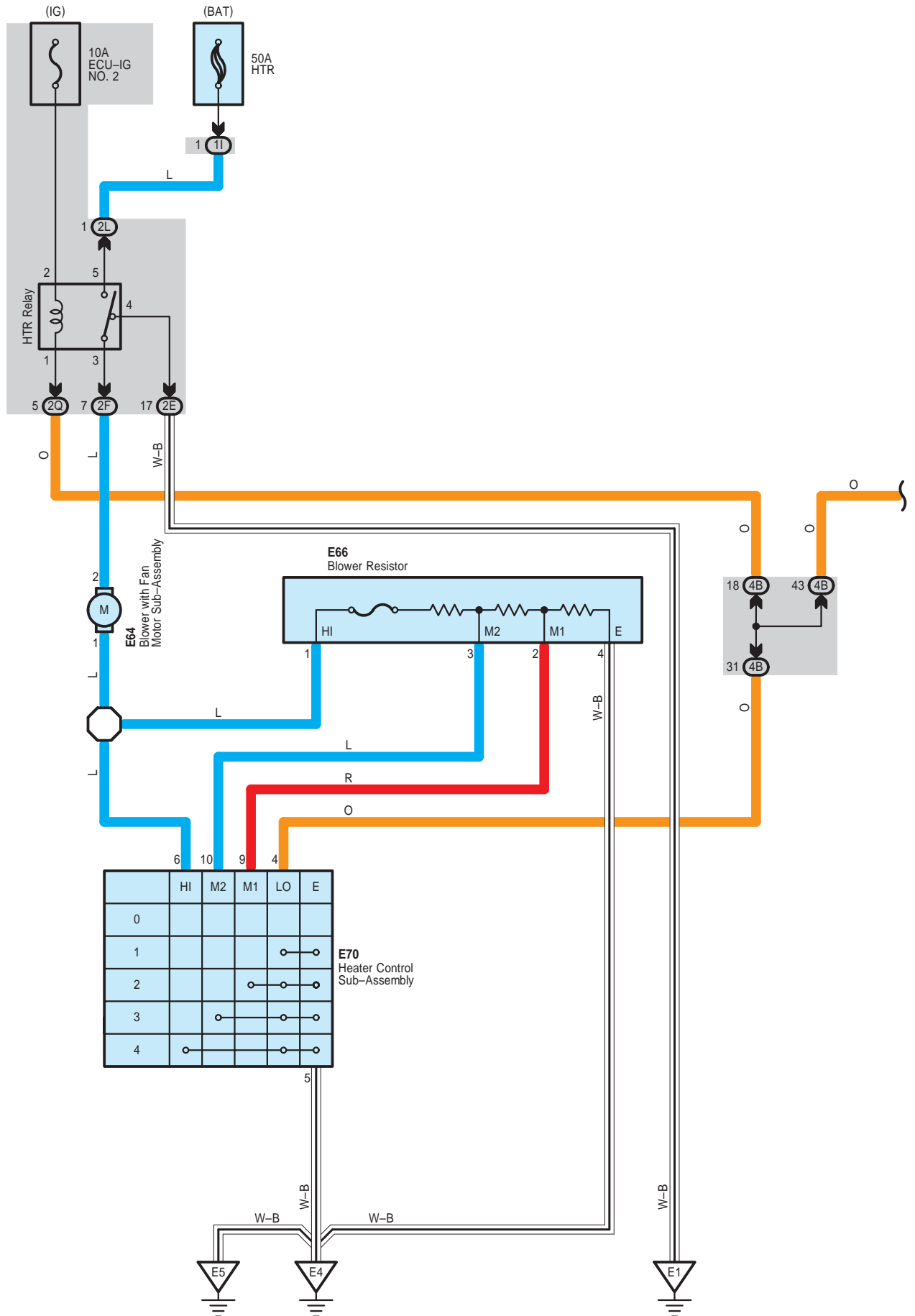
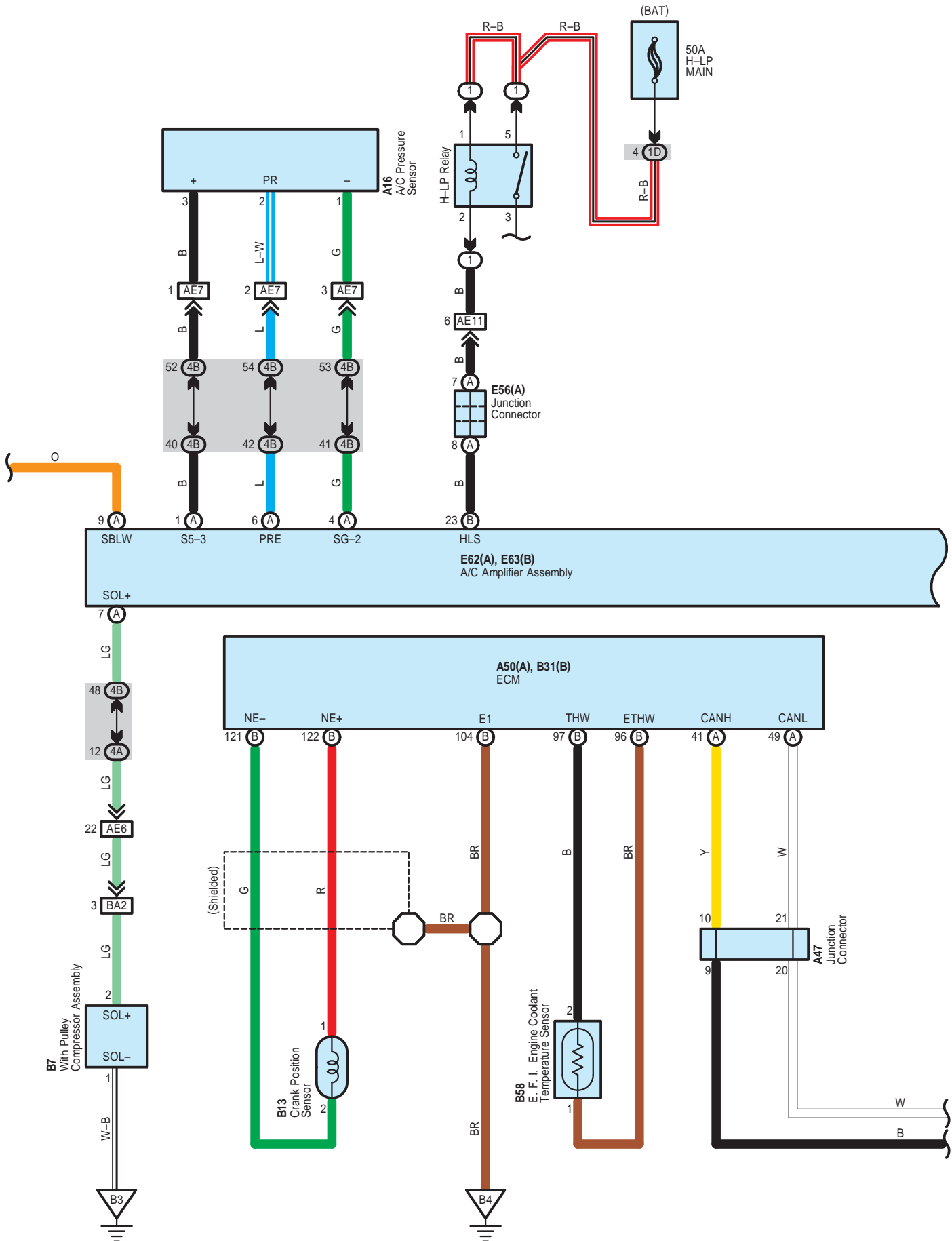
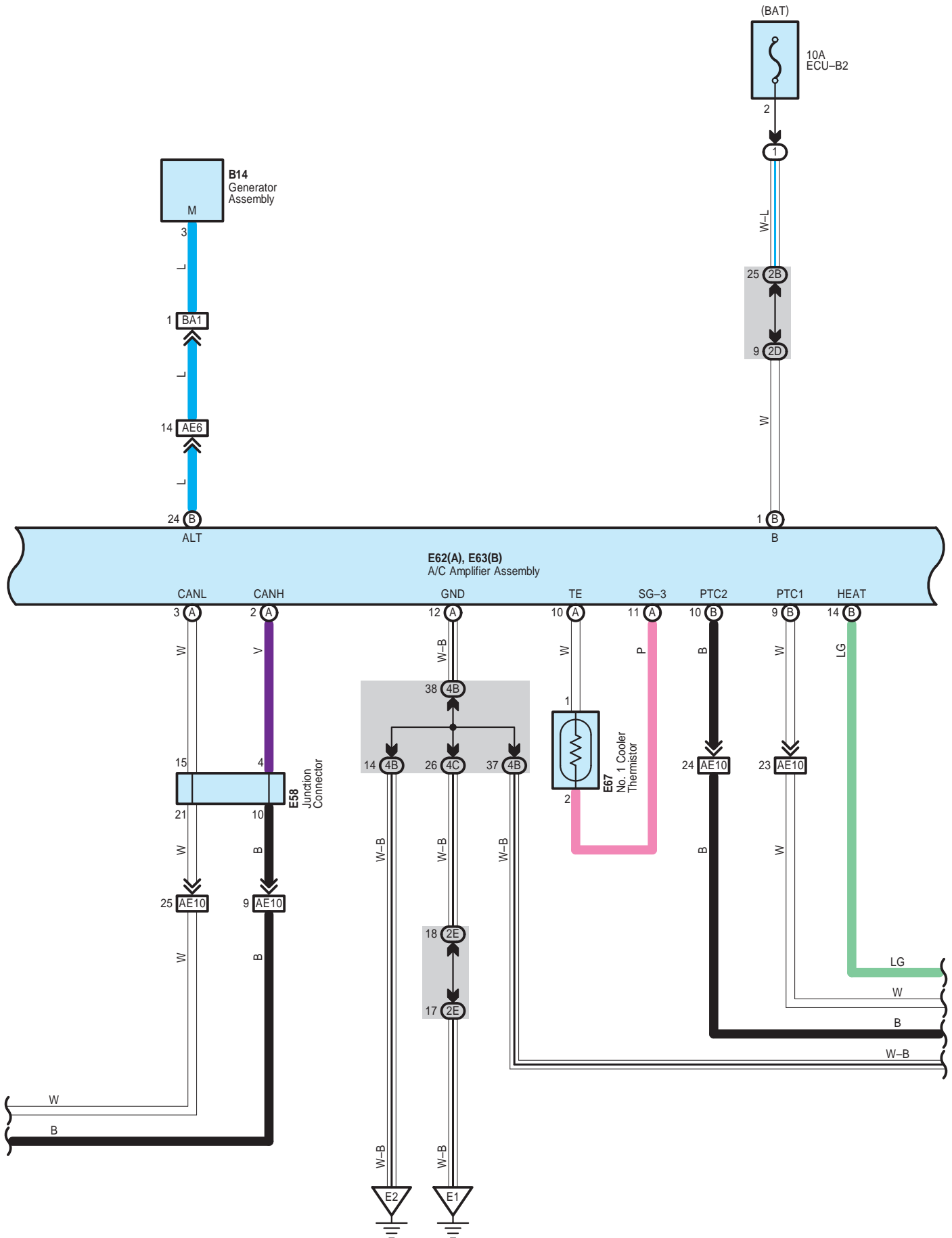


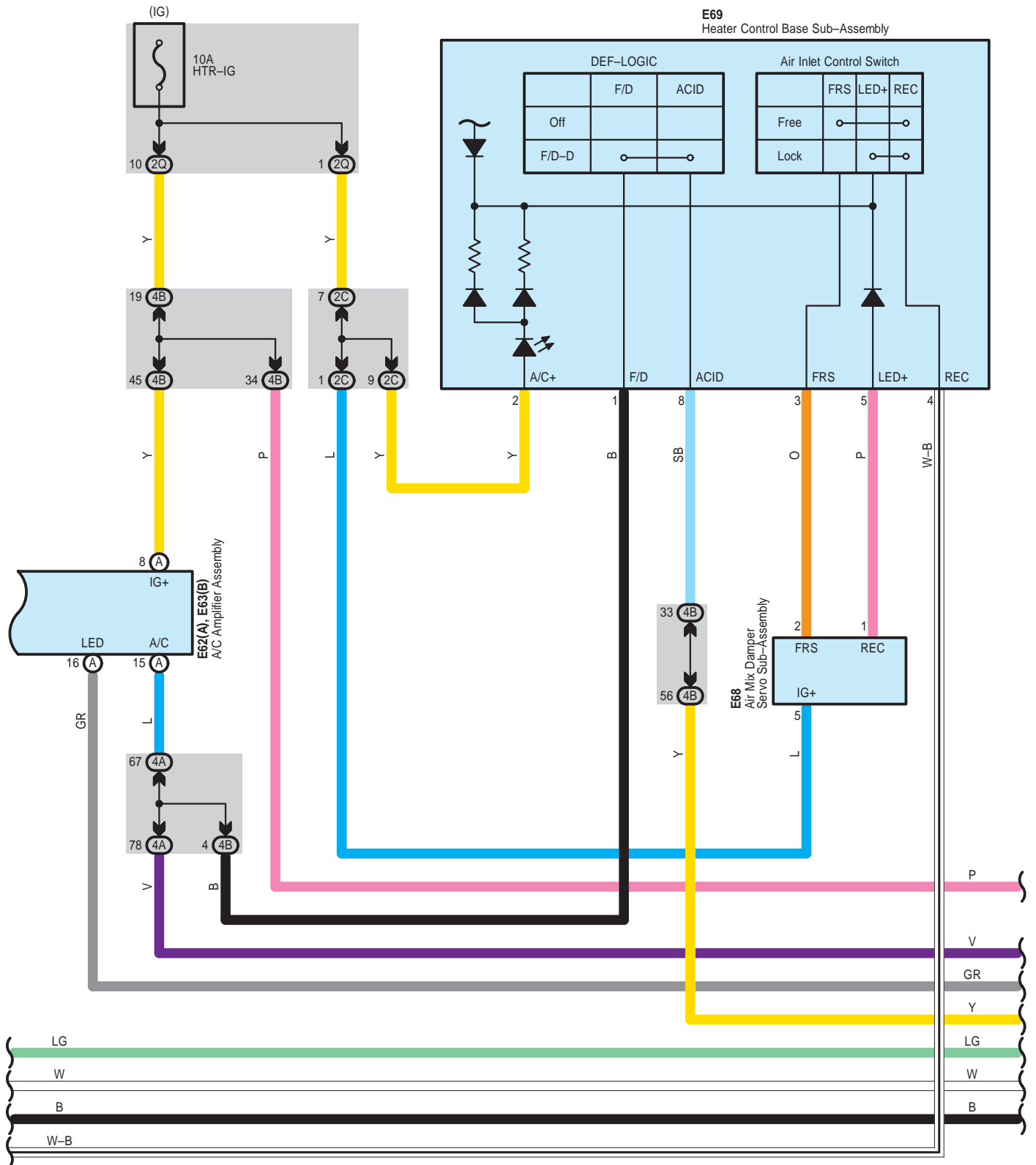
Manual Air Conditioning (TMC Made)



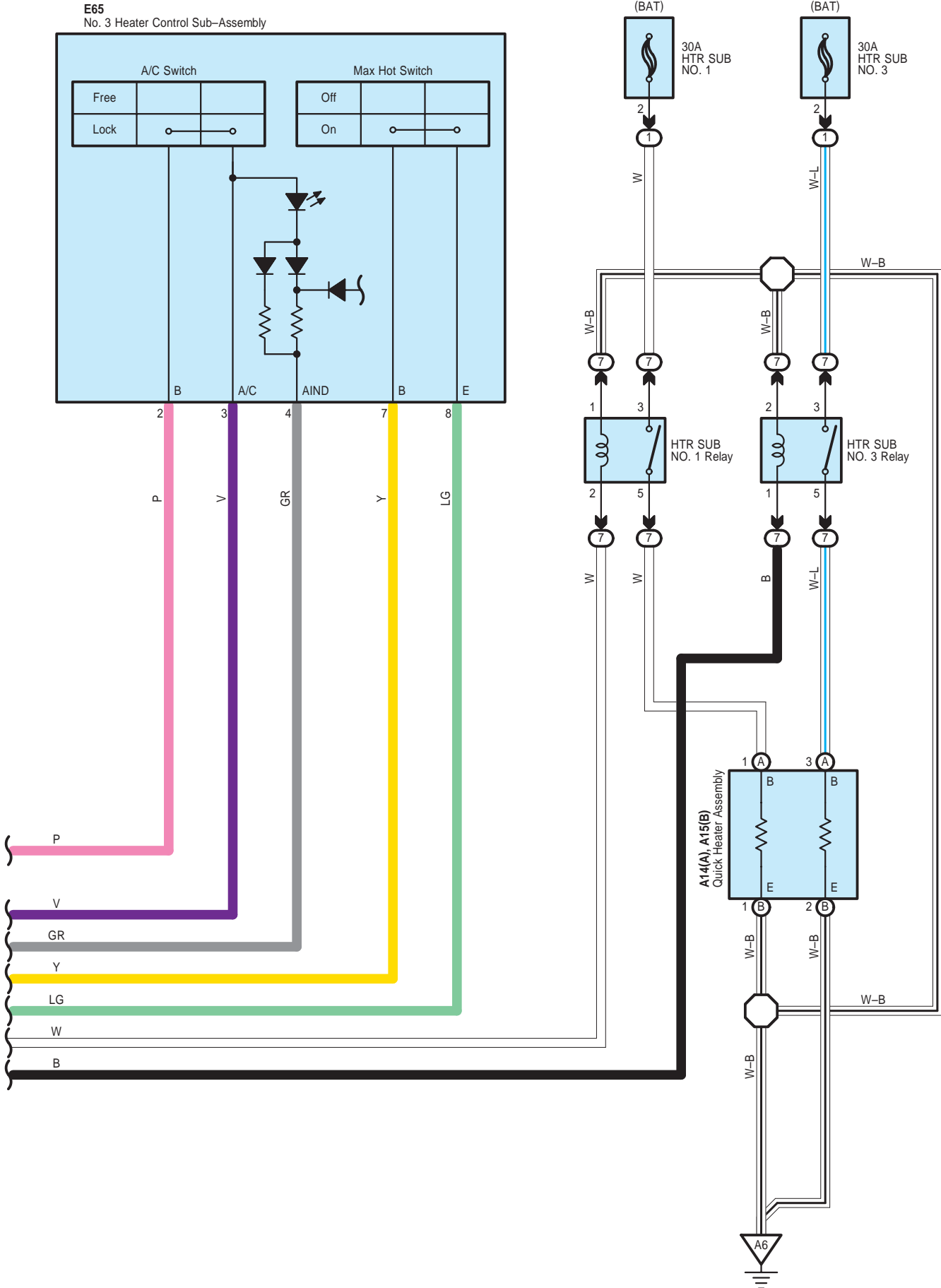


Manual Air Conditioning (TMC Made)





Manual Air Conditioning (TMC Made)



 : **Parts Location**

Code		See Page	Code		See Page	Code		See Page
A14	A	59 (*3)	B14		55 (*2)	E64	57 (*3)	
A15	B	59 (*3)	B31	B	55 (*2)	E65	57 (*3)	
A16		54 (*2)	B58		55 (*2)	E66	58 (*3)	
A47		59 (*3)	E56	A	57 (*3)	E67	58 (*3)	
A50	A	54 (*2)	E58		57 (*3)	E68	58 (*3)	
B7		55 (*2)	E62	A	57 (*3)	E69	58 (*3)	
B13		55 (*2)	E63	B	57 (*3)	E70	58 (*3)	

 : **Relay Blocks**

Code	See Page	Relay Blocks (Relay Block Location)
1	24	Engine Room R/B (Engine Compartment Left)
7	50	R/B No.7 (Engine Compartment Right)

 : **Junction Block and Wire Harness Connector**

Code	See Page	Junction Block and Wire Harness (Connector Location)
1D	25	Engine Room Main Wire and Engine Room J/B (Engine Compartment Left)
1I		
2B	30	Engine Room Main Wire and Instrument Panel J/B (Cowl Side Left)
2C	30	Instrument Panel Wire and Instrument Panel J/B (Cowl Side Left)
2D		
2E		
2F		
2L	30	Engine Room Main Wire and Instrument Panel J/B (Cowl Side Left)
2Q	31	Instrument Panel Wire and Instrument Panel J/B (Cowl Side Left)
4A	42	Instrument Panel Wire and J/B No.4 (Instrument Panel Brace RH)
4B		
4C		

 : **Connector Joining Wire Harness and Wire Harness**

Code	See Page	Joining Wire Harness and Wire Harness (Connector Location)
AE6	72 (*3)	Engine Room Main Wire and Instrument Panel Wire (Left Side of the Instrument Panel)
AE7	72 (*3)	Engine Room Main Wire and Instrument Panel Wire (Right Side of the Instrument Panel)
AE10		
AE11	72 (*3)	Engine Room Main Wire and Instrument Panel Wire (Left Side of the Instrument Panel)
BA1	71 (*2)	Engine Wire and Engine Room Main Wire (Inside of the Engine Room R/B and Engine Room J/B)
BA2		

 : **Ground Points**

Code	See Page	Ground Points Location
A6	72 (*3)	Cowl Side Panel RH
B3	71 (*2)	Engine Block Center
B4		
E1	72 (*3)	Left Kick Panel
E2	72 (*3)	Left Side of the Instrument Panel
E4	72 (*3)	Right Kick Panel
E5	72 (*3)	Instrument Panel Brace LH

*1: 2AZ-FE *2: 2ZR-FE *3: TMC Made *4: Except TMC Made

Power Source (Except TMC Made)

