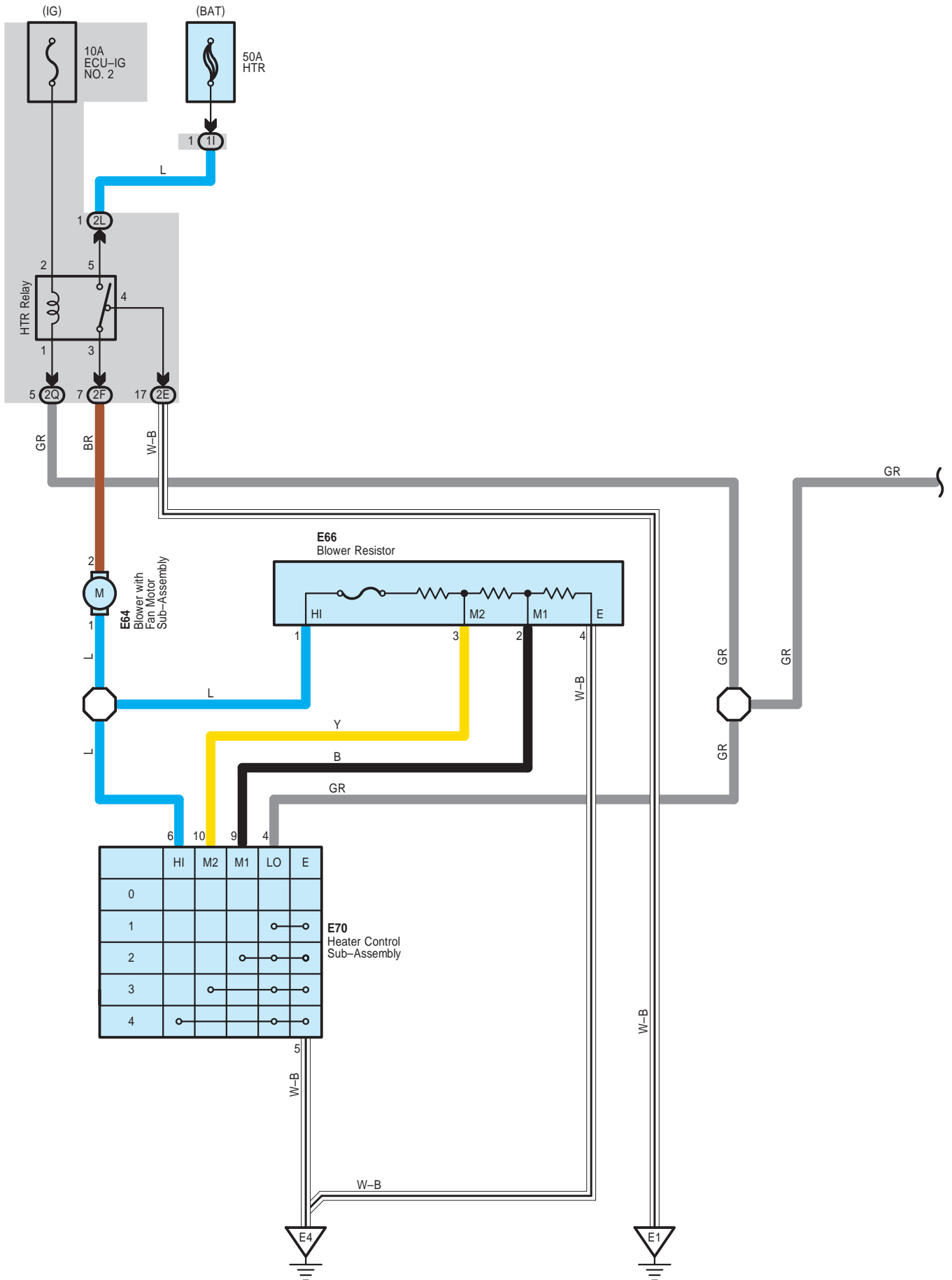
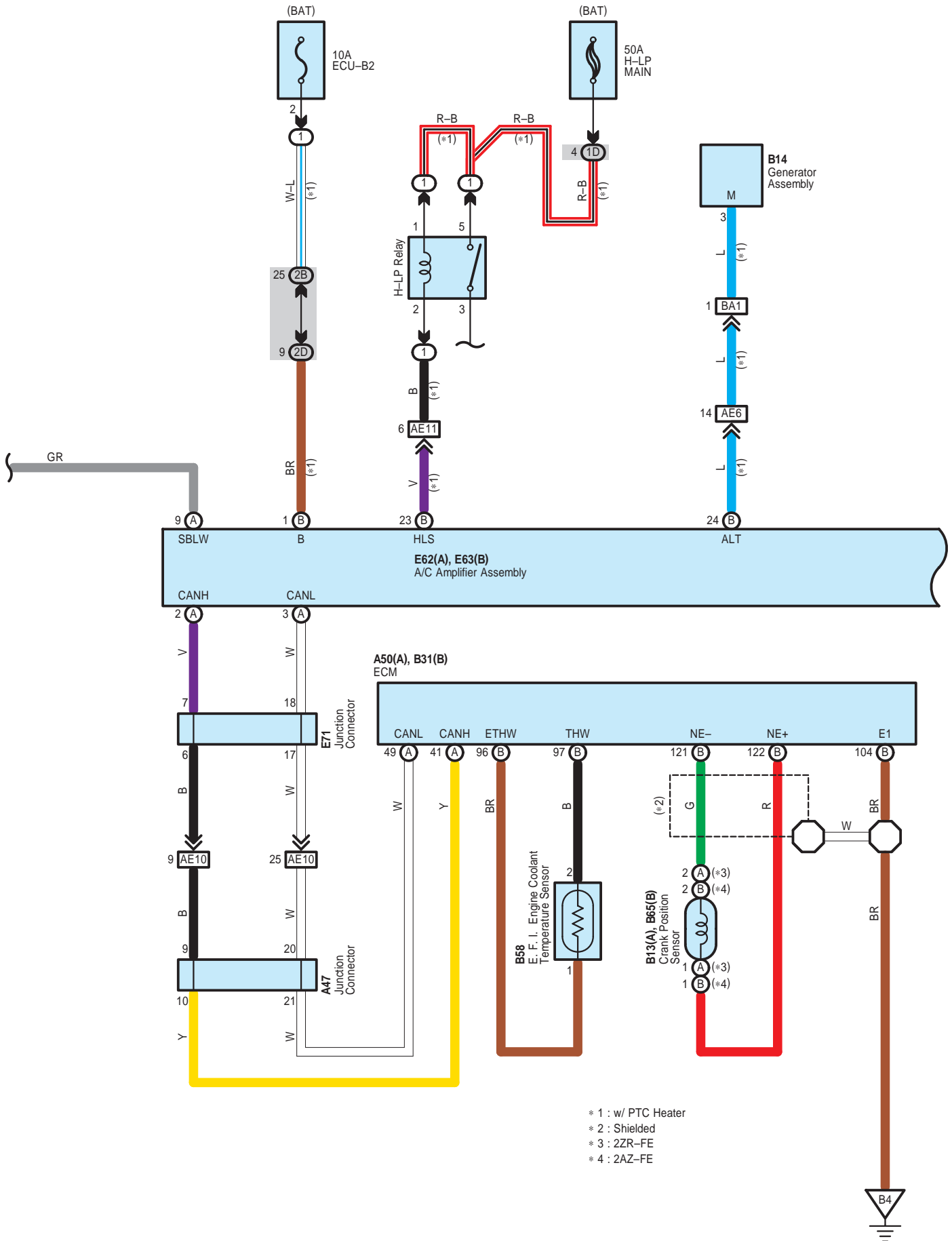


# Manual Air Conditioning (Except TMC Made)

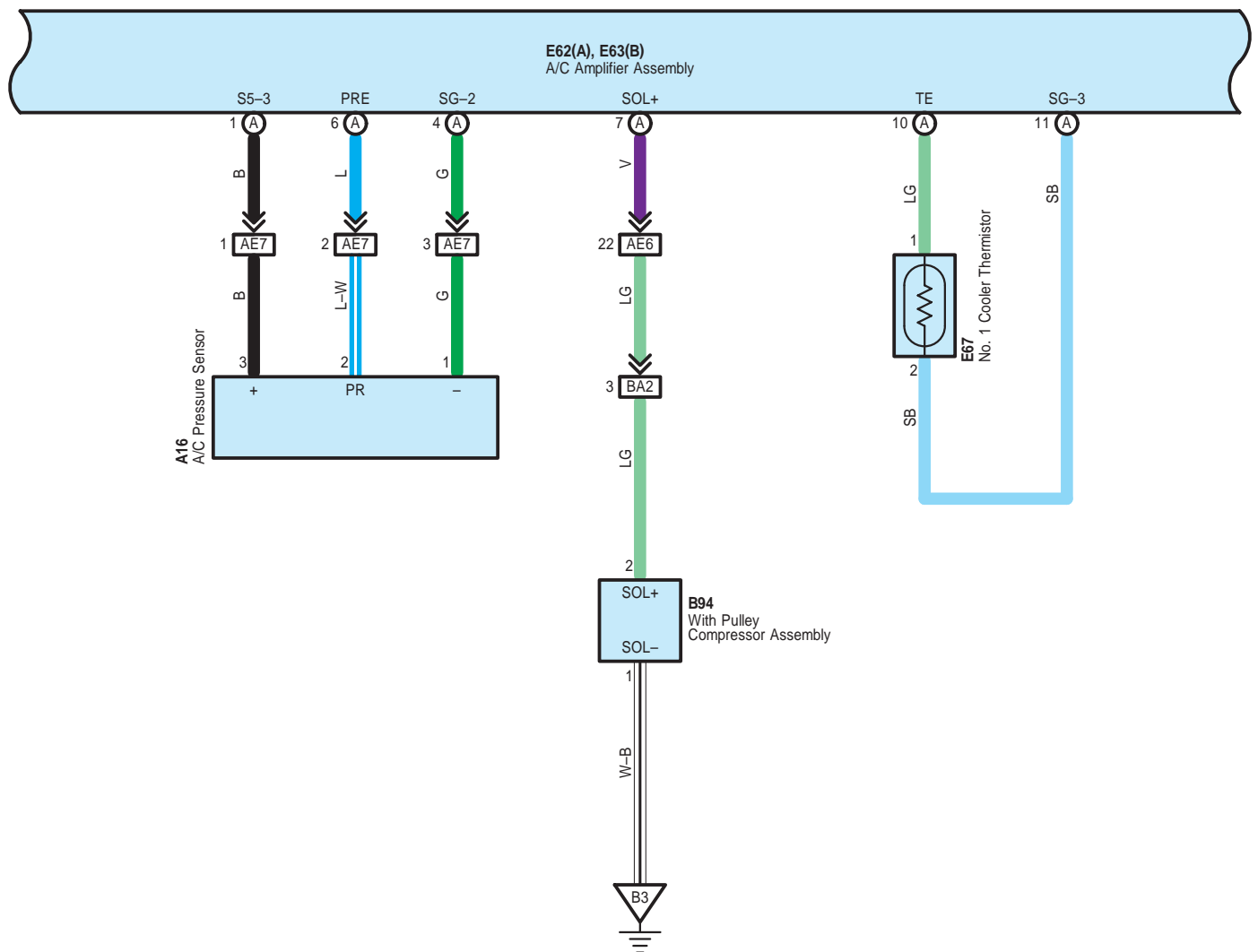




- \* 1 : w/ PTC Heater
- \* 2 : Shielded
- \* 3 : 2ZR-FE
- \* 4 : 2AZ-FE

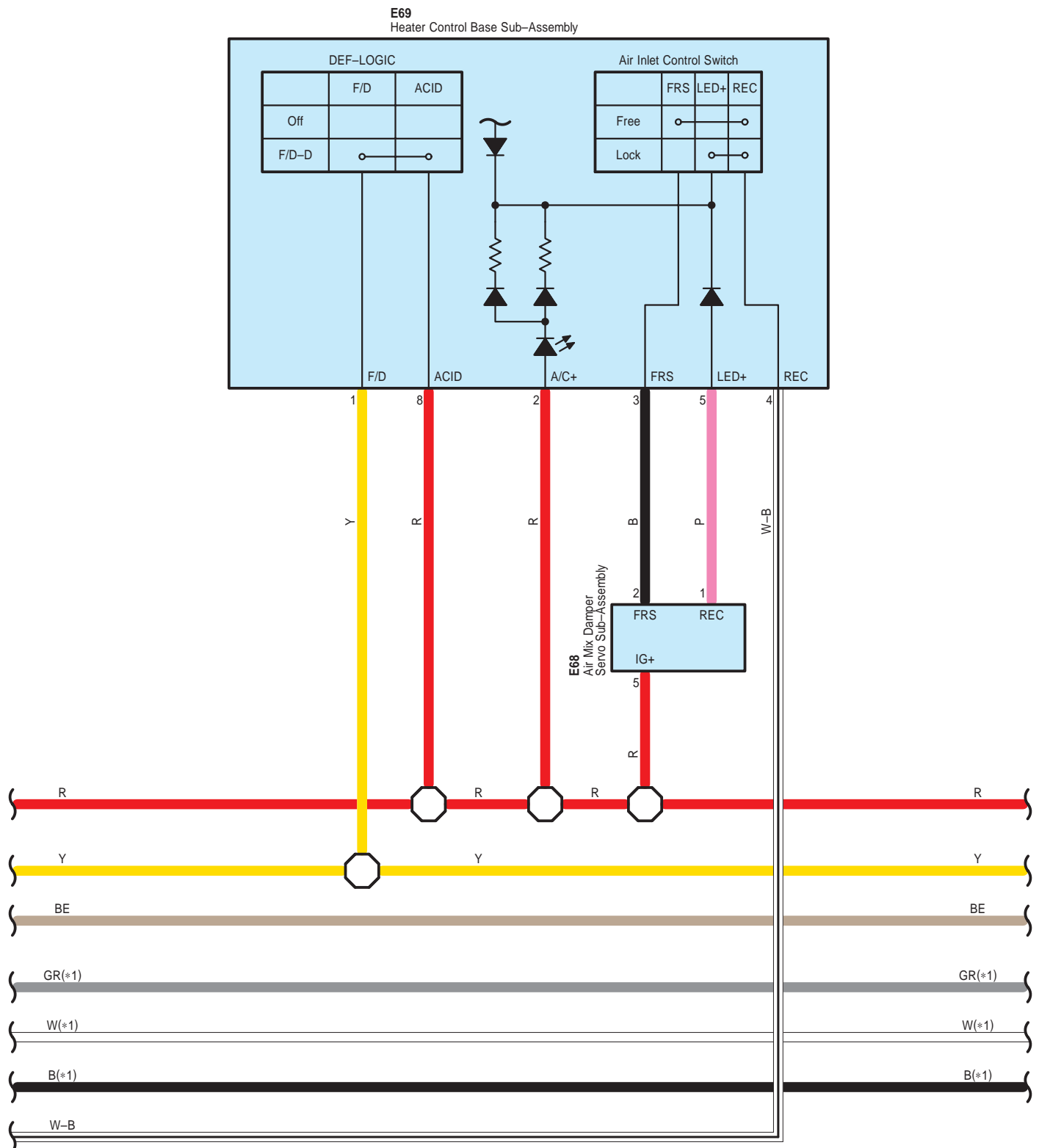


# Manual Air Conditioning (Except TMC Made)

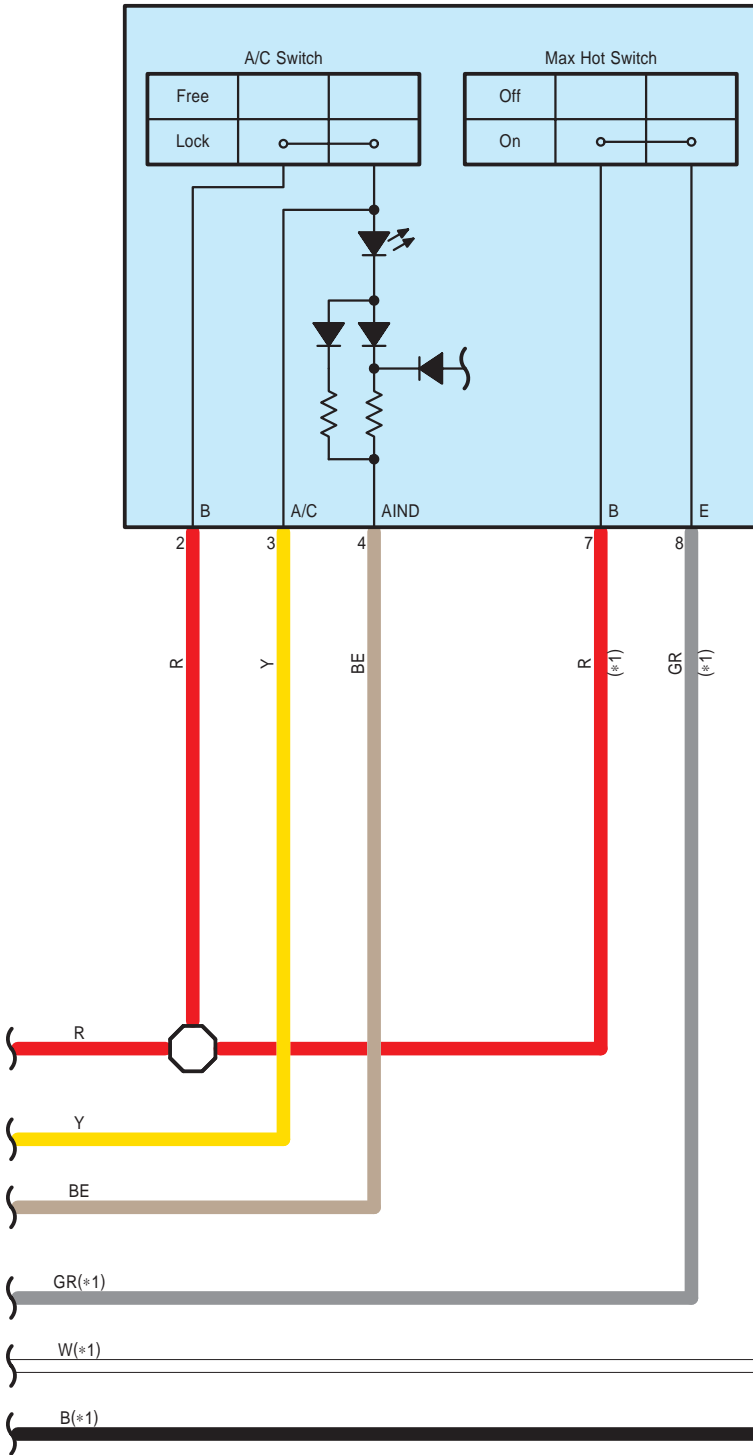




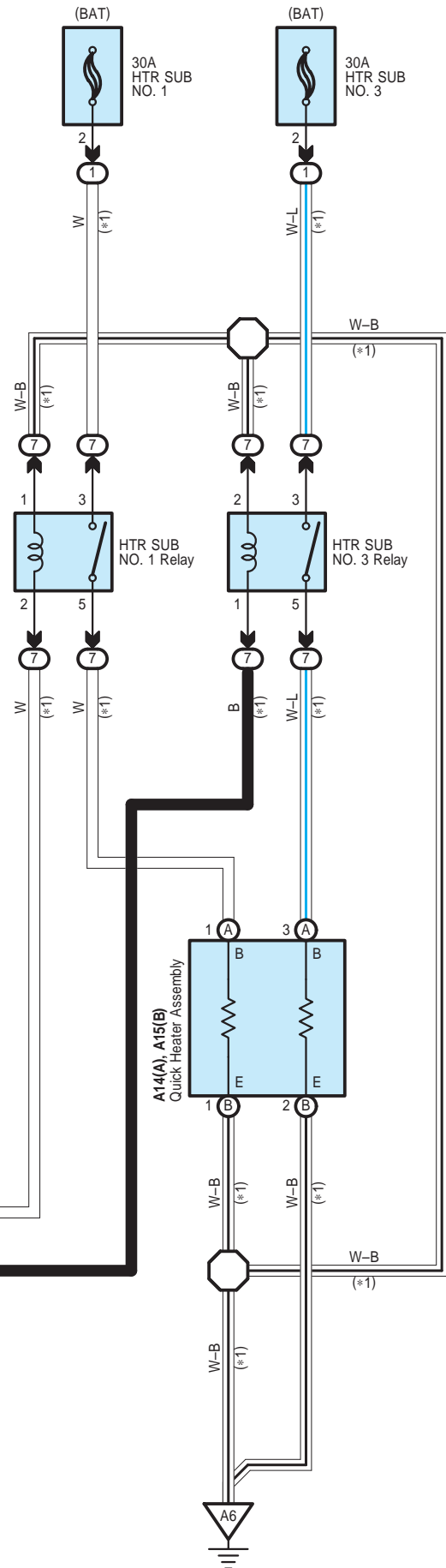
# Manual Air Conditioning (Except TMC Made)



E65  
No. 3 Heater Control Sub-Assembly



\* 1 : w/ PTC Heater



# Manual Air Conditioning (Except TMC Made)

 : **Parts Location**

Code		See Page	Code		See Page	Code		See Page
A14	A	63 (*4)	B14		55 (*2)	E63	B	61 (*4)
A15	B	63 (*4)	B31	B	53 (*1)	E64		61 (*4)
A16		52 (*1)			55 (*2)	E65		61 (*4)
		54 (*2)	B58		53 (*1)	E66		61 (*4)
A47		63 (*4)			55 (*2)	E67		61 (*4)
A50	A	52 (*1)	B65	B	53 (*1)	E68		61 (*4)
		54 (*2)	B94		53 (*1)	E69		61 (*4)
B13	A	55 (*2)			55 (*2)	E70		61 (*4)
B14		53 (*1)	E62	A	61 (*4)	E71		62 (*4)

 : **Relay Blocks**

Code	See Page	Relay Blocks (Relay Block Location)
1	24	Engine Room R/B (Engine Compartment Left)
7	50	R/B No.7 (Engine Compartment Right)

 : **Junction Block and Wire Harness Connector**

Code	See Page	Junction Block and Wire Harness (Connector Location)
1D	25	Engine Room Main Wire and Engine Room J/B (Engine Compartment Left)
1I		
2B	30	Engine Room Main Wire and Instrument Panel J/B (Cowl Side Left)
2D	30	Instrument Panel Wire and Instrument Panel J/B (Cowl Side Left)
2E		
2F		
2L	30	Engine Room Main Wire and Instrument Panel J/B (Cowl Side Left)
2Q	31	Instrument Panel Wire and Instrument Panel J/B (Cowl Side Left)

 : **Connector Joining Wire Harness and Wire Harness**

Code	See Page	Joining Wire Harness and Wire Harness (Connector Location)
AE6	73 (*4)	Engine Room Main Wire and Instrument Panel Wire (Left Side of the Instrument Panel)
AE7	73 (*4)	Engine Room Main Wire and Instrument Panel Wire (Right Side of the Instrument Panel)
AE10		
AE11	73 (*4)	Engine Room Main Wire and Instrument Panel Wire (Left Side of the Instrument Panel)
BA1	70 (*1)	Engine Wire and Engine Room Main Wire (Inside of the Engine Room R/B and Engine Room J/B)
	71 (*2)	
BA2	70 (*1)	
	71 (*2)	

 : **Ground Points**

Code	See Page	Ground Points Location
A6	73 (*4)	Cowl Side Panel RH
B3	70 (*1)	Engine Block Left
	71 (*2)	Engine Block Center
B4	70 (*1)	Engine Block Left
	71 (*2)	Engine Block Center
E1	73 (*4)	Left Kick Panel
E2	73 (*4)	Left Side of the Instrument Panel
E4	73 (*4)	Right Kick Panel

\*1: 2AZ-FE    \*2: 2ZR-FE    \*3: TMC Made    \*4: Except TMC Made





# I GROUND POINT (Except TMC Made)

