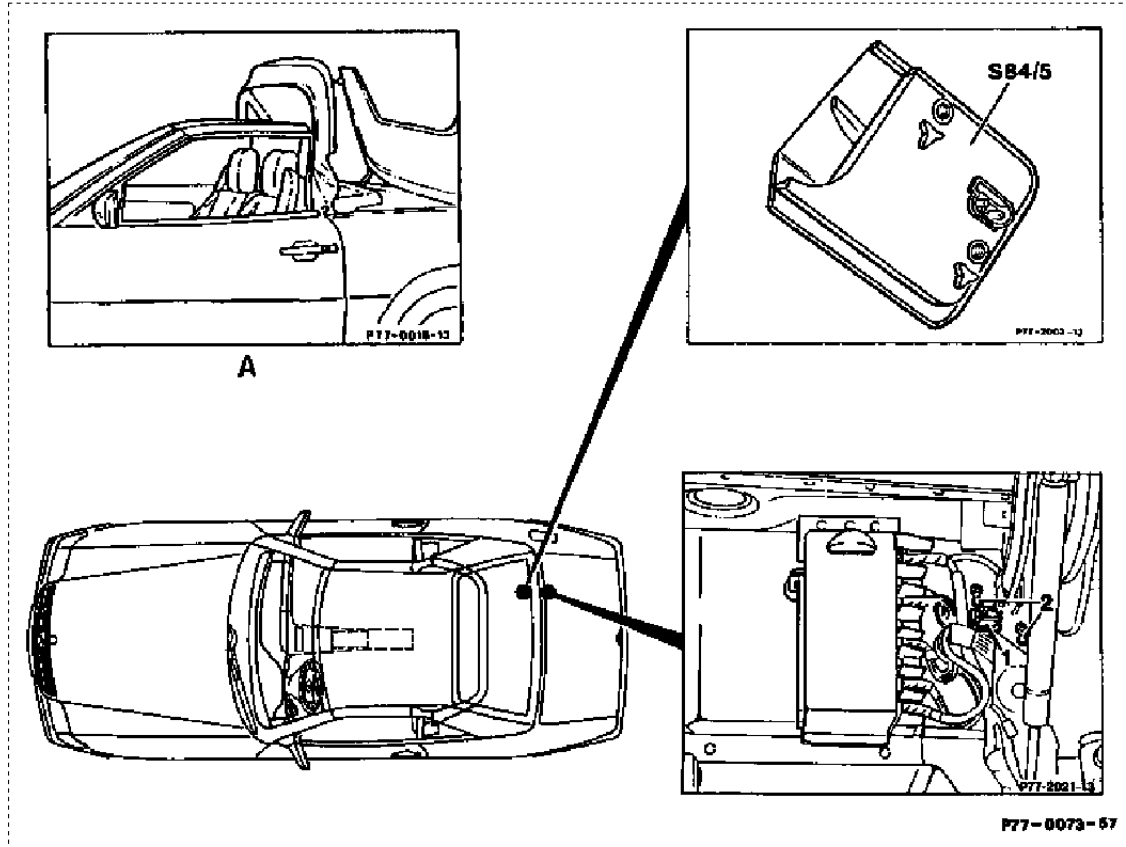


**77.39 0405 - Removal and inst...**

**77-405 Removal and installation of limit switch, top compartment cover open**

Preliminary jobs:  
Partition between fuel tank and trunk removed (68-700)

Operation no. of operation texts and work units  
or standard texts and flat rates .....



**Removal**

- Top..... move to position A with top switch or manual actuation.
- Trunk..... open
- Connector (1)..... pull off of limit switch
- Screws (2)..... loosen
- Limit switch (S84/5)..... push upward and remove out of oblong holes

**Installation**

Install in opposite order

Portions of materials contained herein are sourced from Mercedes Motor Corporation.

Copyright 2013 - 2014 Service Repair Solutions, Inc.