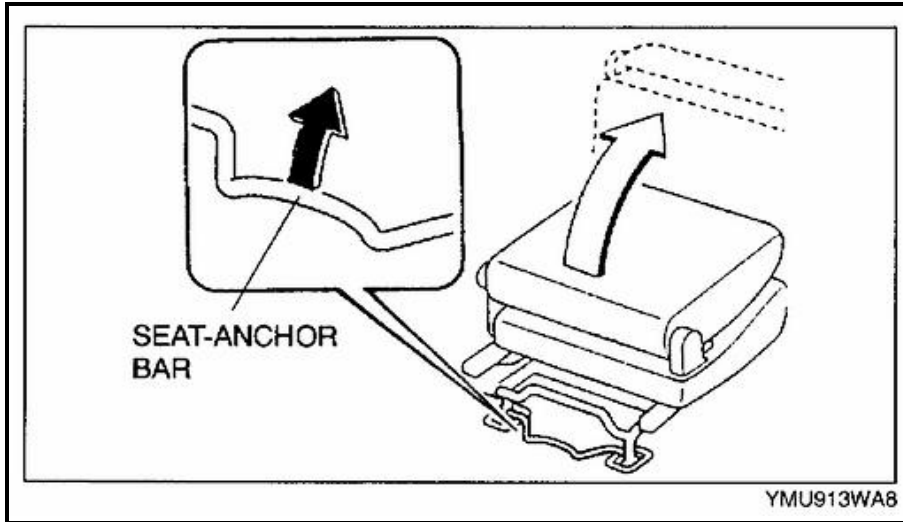
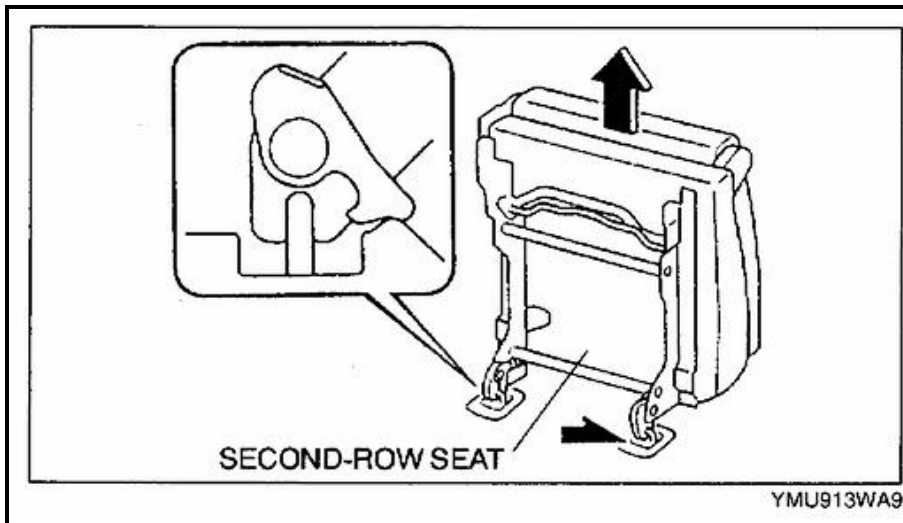


SECOND-ROW SEAT REMOVAL

1. Place the buckle in the pocket in the cushion.
2. Slide the seat to the rear most position.
3. Pull the recliner lever and lower the seat back forward.

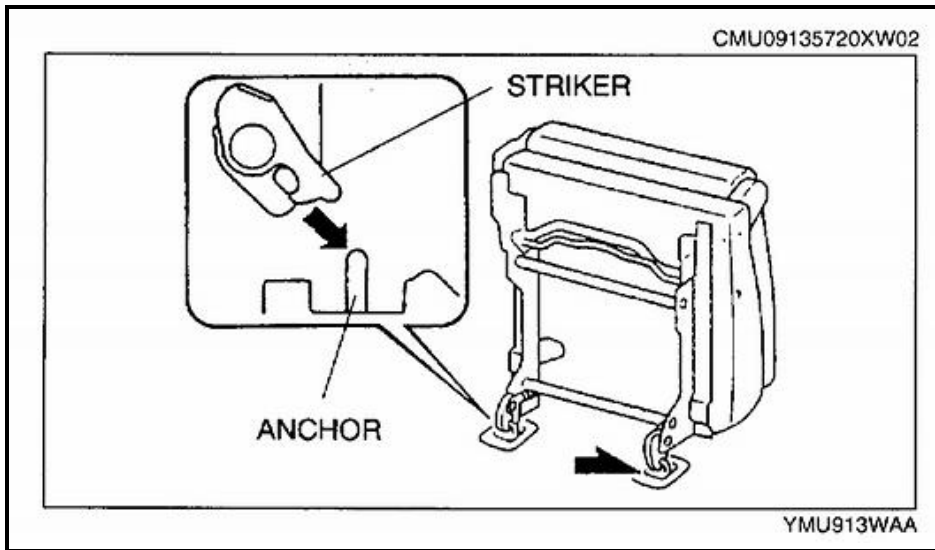


4. Lift and hold the seat-anchor bar and lift the entire seat up and forward.

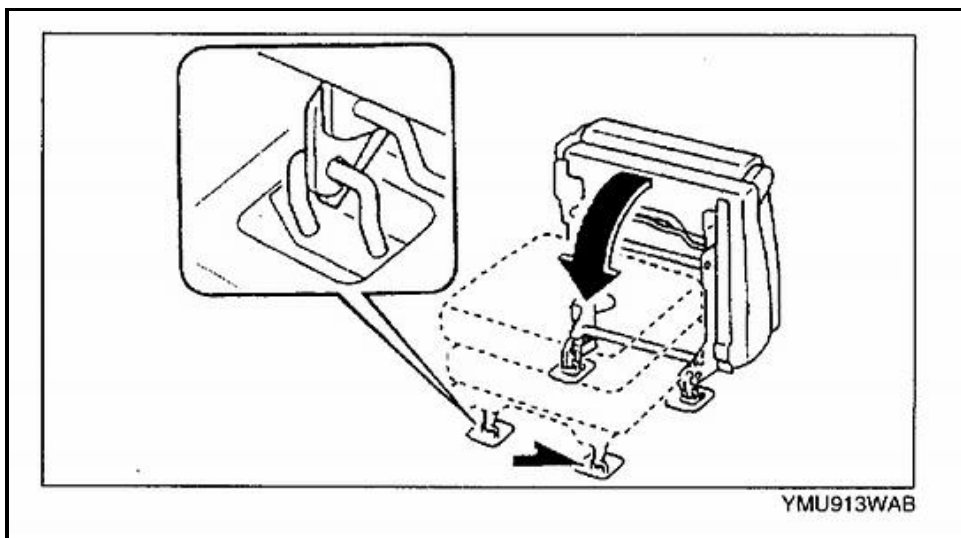


5. Remove the second-row seat.

SECOND-ROW SEAT INSTALLATION



1. Set the seat's strikers on the front floor anchors.



2. Supporting the seat with your hands, slowly lower the seat back rearwards to lock it in place.
3. Raise the recliner lever and raise the seat back upright.
4. Inspect the seat to ensure it is firmly locked in place.

© 2016 ALldata, LLC. All Rights Reserved. (Version 2.0.13792)