

61. Gauge Assembly

- Green
- Left side of dashboard
- On dashboard wire harness A

Connector A



- | | |
|---|--|
| 1 Sedan: GRN/YEL
(Circuit 173) | 8 Sedan: GRN/WHT
(Circuit 175) |
| 2 GRN/ORN (Circuit 174) | 9 ORN (Circuit 176) |
| 3 — | 10 DX, LX: BLK/WHT
(Door open output) |
| 4 Canada: YEL
(Fuse 9 – Driver's) | 11 WHT/GRN (Brake light
failure sensor input) |
| 5 Canada: BLU/WHT
(DRL indicator input) | 12 ORN/WHT (High
beam indicator input) |
| 6 With cruise: BLU/BLK
(Cruise control
indicator input) | 13 Canada: RED/WHT
(High beam indicator
input) |
| 7 GRN (Circuit 176) | USA: RED/YEL (High
beam indicator input) |
| | 14 GRN/BLU
(Circuit 17) |

Connector B



- | | |
|---|---|
| 1 BLU (Circuit F44) | 13 — |
| 2 BLU/WHT (Circuit E93) | 14 — |
| 3 — | 15 — |
| 4 RED/WHT (Dash lights
brightness control) | 16 BLK (G601) |
| 5 WHT/RED (Dash lights
brightness control) | 17 With side SRS: GRN
(Side airbag indicator
light input) |
| 6 GRN/ORN
(MIL control input) | 18 '01-'02 Models (V6):
RED/WHT (ABS-TCS) |
| 7 YEL/RED (Low oil
pressure indicator input) | 19 PNK (Immobilizer
indicator input) |
| 8 WHT/BLU (Circuit E03) | 20 WHT/YEL
(Fuse 13 – Pass.) |
| 9 BLK/YEL (Fuse 6 –
Driver's) | 21 WHT/YEL
(Fuse 13 – Pass.) |
| 10 RED (Circuit 12) | 22 RED/BLK
(Circuit 11) |
| 11 YEL (Fuse 9 – Driver's) | |
| 12 Canada: PNK
(Washer fluid level input) | |

Connector C

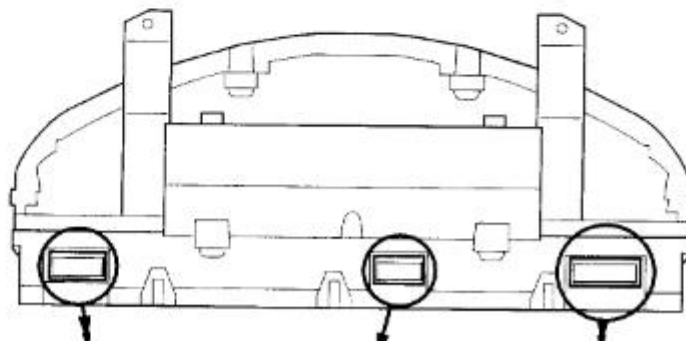


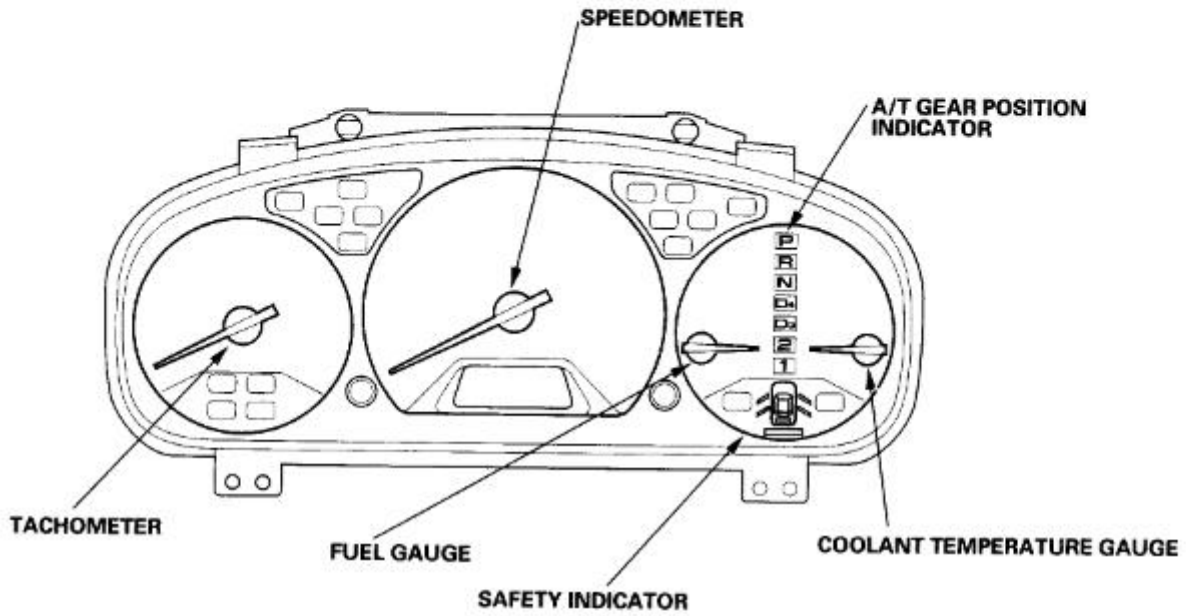
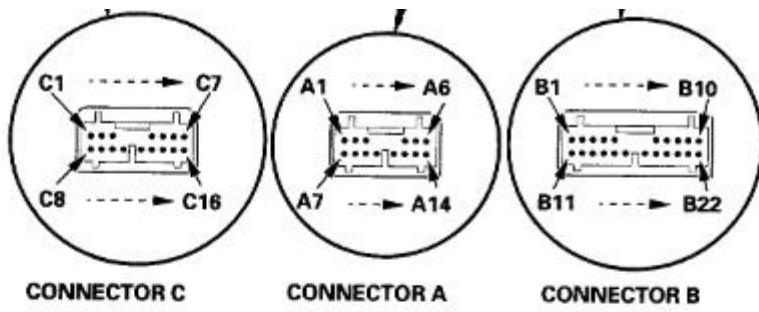
- | | |
|--|---|
| 1 LT GRN/RED
(Low fuel indicator input) | 9 BLU
(SRS indicator input) |
| 2 YEL/GRN (Engine
coolant temp. input) | 10 BLU/WHT
(ABS indicator input) |
| 3 RED/BLU (Circuit 177) | 11 YEL/BLU
(Fuel level input) |
| 4 A/T: WHT
(Circuit M34) | 12 A/T: GRN/BLK (D4
indicator control input) |
| 5 A/T: BRN
(Circuit M28) | 13 — |
| 6 A/T: PNK (Circuit M31) | 14 GRN/RED (Circuit 207) |
| 7 A/T: BLU
(Circuit M29) | 15 A/T: BLK/BLU
(Circuit M35) |
| 8 GRN/YEL
(Circuit 16) | 16 A/T: RED/BLK
(Neutral input) |

[Open In New Tab](#)

[Zoom/Print](#)

Gauges Component Location Index 2





[Open In New Tab](#)

[Zoom/Print](#)