

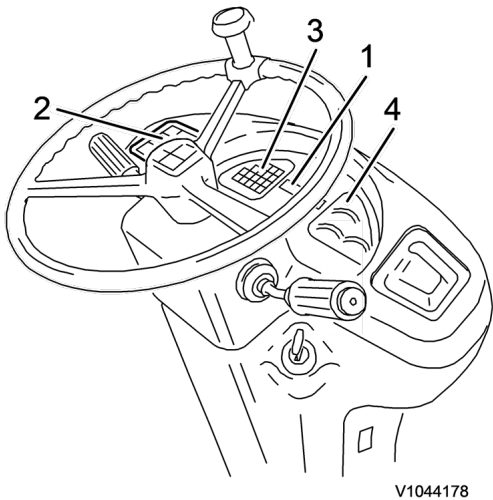
Document Title: <b>Display unit and keyboard</b>	Function Group: <b>387</b>	Information Type: <b>Service Information</b>	Date: <b>3/25/2019</b>
Profile: <b>L30B Volvo</b>			

## Display unit and keyboard

Showing Selected Profile

Valid for serial numbers			
Model	Production site	Serial number start	Serial number stop
L30B Volvo			

The information display and keypad (film keypad) are arranged on the instrument panel. The instrument panel is connected to the electronics unit (ECU) via a "CAN-BUS" data line.

**Figure 1**

Instrument panel

1. Display unit
2. Film keypad
3. Warning and control lamps
4. Displays

**Information display, data**

General operating information:

- Initial display
- Speed
- Engine speed
- Error codes

**Display function "E3"**

- Machine hours
- operating hours per day
- distance

- kilometres per day
- battery charge condition
- counter (optional)
- software version
- ECU serial number

**Film keypad**

The following settings can be made with the film keypad:

- activate/deactivate functions (ON/OFF)
- numerical settings
- reset / confirm functions