

Preparatory Steps

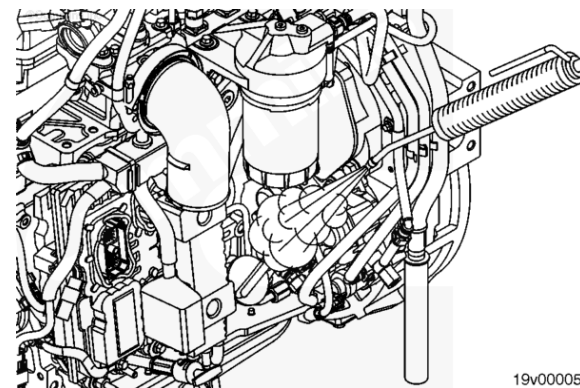
⚠ WARNING ⚠

When using a steam cleaner, wear safety glasses or a face shield, as well as protective clothing. Hot steam can cause serious personal injury.

⚠ WARNING ⚠

Wear appropriate eye and face protection when using compressed air. Flying debris and dirt can cause personal injury.

- Steam clean the fuel pump and the area around the fuel pump.
- Dry with compressed air.
- Disconnect the fuel pump actuator harness connector.

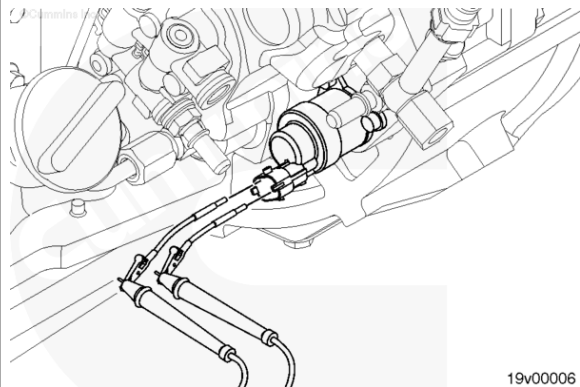


Initial Check

Measure the fuel pump actuator resistance.

Minimum resistance: 0.1 ohms

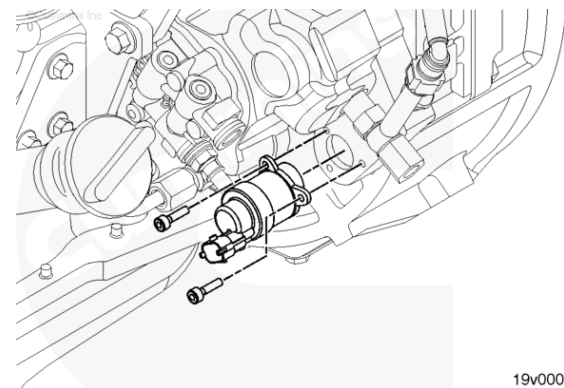
Maximum resistance: 5 ohms



19v00006

Remove

Remove the capscrews and fuel pump actuator.



19v00007

Install

⚠ CAUTION ⚠

Do not pause more than 2 minutes between Torque Steps 1 and 2. This can cause the capscrews not to maintain their torque value. Leakage or engine damage can result.

Lubricate the o-ring with clean oil before installation.

Press the fuel pump actuator into the fuel pump housing fully. Use a slight twisting motion. Do this before starting the capscrews.

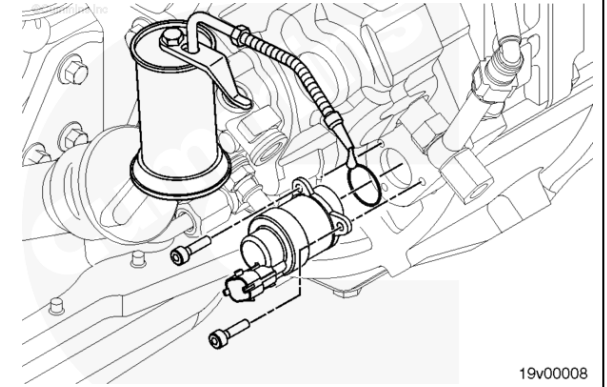
Note : Fully installing the fuel pump actuator prior to starting the capscrews reduces the risk of side loading the plunger and reduced component life.

Note : Be sure the fuel pump actuator flange is flush with the mounting surface on the fuel pump before tightening the capscrews.

Install and tighten the capscrews.

Torque Value:

1. 3 n•m [27 in-lb]
2. 6.5 n•m [58 in-lb]

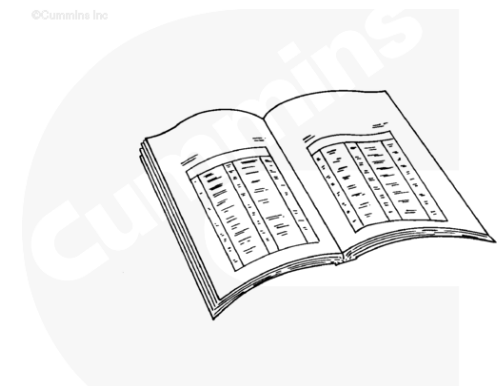


19v00008

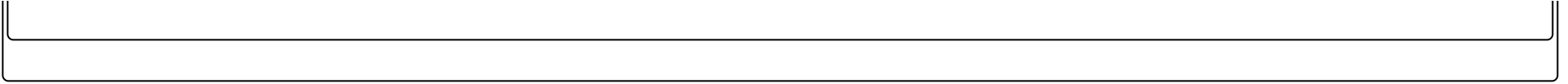
Finishing Steps

- Connect the fuel pump actuator harness connector.
- Operate the engine and check for leaks.

©Cummins Inc



ck800wa



Last Modified: 19-Jan-2016
