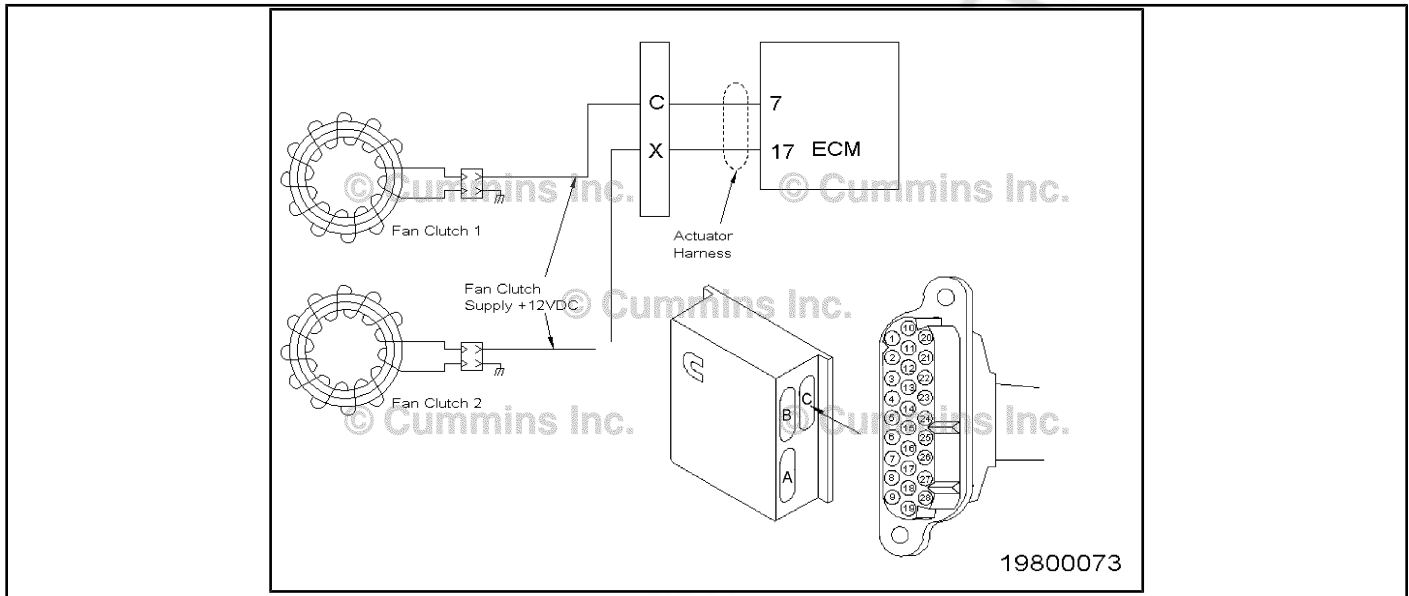


Fault Code 245

Engine Fan Clutch Supply Circuit

CODES	REASON	EFFECT
Fault Code: 245 PID(P), SID(S): S033 SPN: 647 FMI: 4 Lamp: Yellow SRT: 00-099	Less than 6 VDC detected at fan clutch supply pins 7 and 17 of the actuator harness connector. This indicates a current draw from the electronic control module (ECM) greater than 2 amps or a faulty ECM power supply.	The fan could possibly not engage. Possible engine overheat, if an ECM controlled fan is in use.



Engine Fan Clutch Supply Circuit

Circuit Description:

The fan clutch solenoid is a device used by the ECM to control the engine fan by sending a signal to open or close the fan clutch solenoid.

Component Location:

Use an OEM diagram for the location of the fan clutch solenoid.

Shop Talk:

The ECM supplies no voltage to the fan clutch to turn the fan on and battery voltage, 12 VDC in North America (24 VDC in Industrial, U.K., and Europe), to turn the fan off.

Refer to Troubleshooting Fault Code t05-245

Copyright Cummins Inc.