

1 2 06-12Rev



Service Information Bulletin

SUBJECT	DATE
SPN 3361/FMI 7 - EPA10	February 2012

Additions, Revisions, or Updates

Publication Number / Title	Platform	Section Title	Change
DDC-SVC-MAN-0084	DD Platform	SPN 3361/FMI 7 - EPA10	Update procedure to include flushing the diffuser heater.



13400 Outer Drive, West, Detroit, Michigan 48239-4001
 Telephone: 313-592-5000
www.demanddetroit.com

2 SPN 3361/FMI 7 - EPA10

This diagnostic is typically Diesel Exhaust Fluid (DEF) metering unit - Unable to clear restriction.

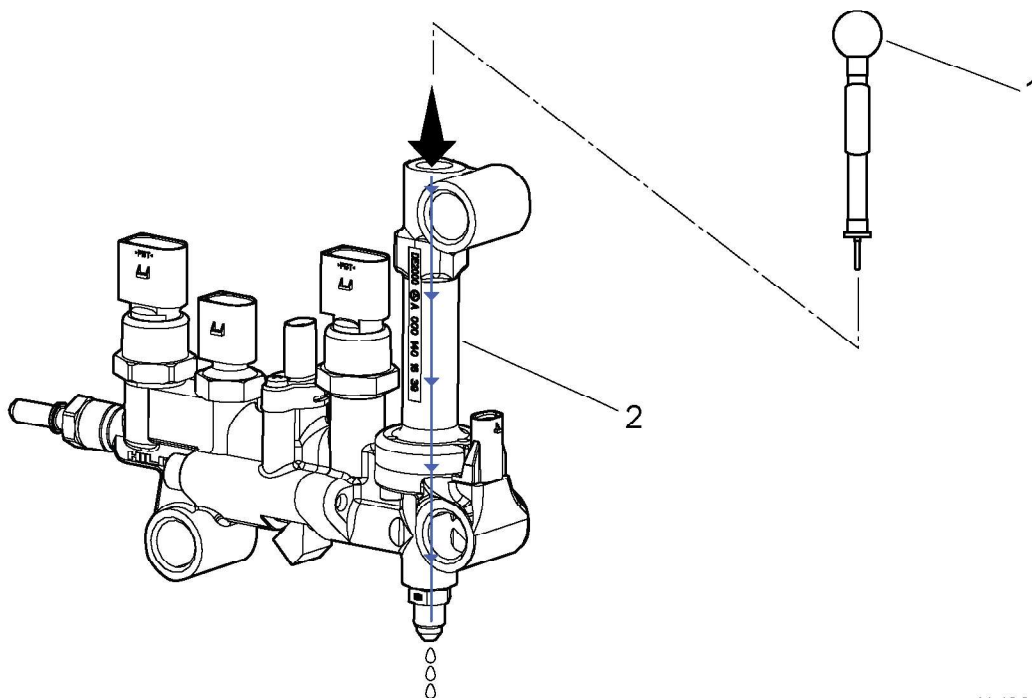
Table 1.

SPN 3361/FMI 7	
Description	DEF Unit - Unable to clear Restriction
Monitored Parameter	DEF pressure, DEF air pressure
Typical Enabling Conditions	Dosing Enabled
Monitor Sequence	SPN 4335/FMI 14 and 31 Active
Execution Frequency	Continuous when enabling conditions met
Typical Duration	
Dash Lamps	MIL, CEL
Engine Reaction	Derate 25%
Verification	SCR Quantity Test

1. Connect DDDL 7.04SP2 or higher.
2. Turn ignition ON (key ON, engine OFF).
3. Compare DEF air pressure to barometric air pressure (Baro) and DEF pressure.
4. Is DEF air pressure within 28 kPa (4.0 psi) of barometric air pressure (Baro) and DEF pressure?
 - a. Yes; Go to step 8.
 - b. No; Go to step 5.
5. Remove DEF air pressure sensor, Refer to section "Removal of the Diesel Exhaust Fluid Metering Unit Air Pressure Sensor" and re-connect harness to connector.
6. Compare DEF air pressure to barometric air pressure (Baro) and DEF pressure.
7. Is DEF air pressure within 28 kPa (4.0 psi) of barometric air pressure (Baro) and DEF pressure?
 - a. Yes; Go to step 8.
 - b. No; replace the DEF air pressure sensor. Refer to section "Installation of the Diesel Exhaust Fluid Metering Unit Air Pressure Sensor" . Go to step 17.
8. Remove the DEF metering unit air supply line and the DEF metering unit compressed air supply screen. Refer to section "Removal of the Diesel Exhaust Fluid Metering Unit Compressed Air Supply Screen"
9. Inspect the DEF metering unit air inlet screen for debris. Is there debris restricting the air flow through the inlet screen?
 - a. Yes, replace the air inlet screen. Go to step 10.
 - b. No, Go to step 10.

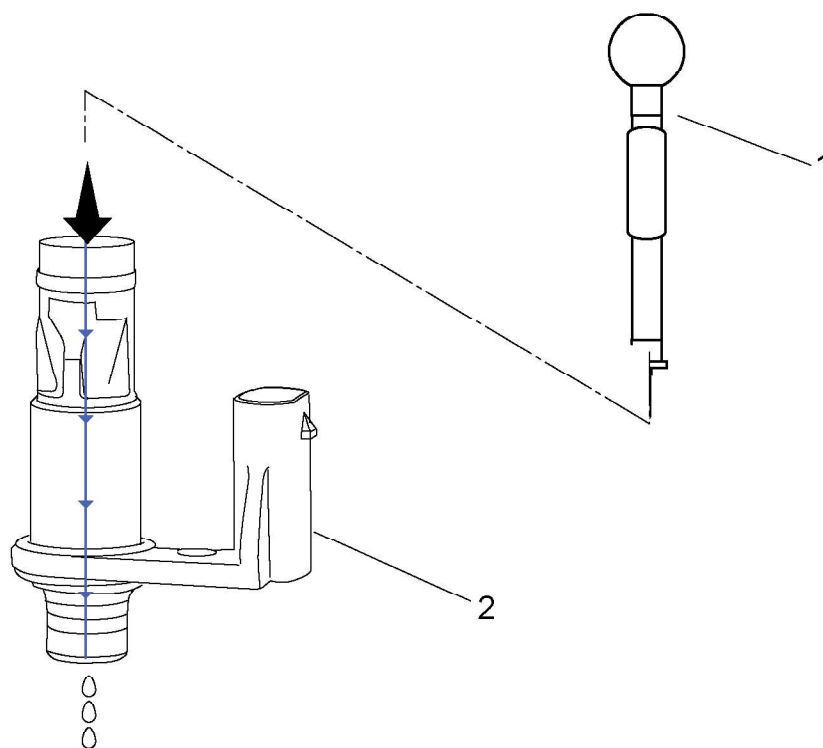
NOTE: If inlet screen needs replacing, continue diagnostics before installation of new inlet screen.

10. Remove the DEF nozzle supply hose, flush the DEF metering unit air channel (2) using warm water; see figure below. Use pipette (1) supplied in DEF test kit W060589001900. Does water flow from the DEF nozzle supply fitting?
 - a. Yes, Go to step 16.
 - b. No, Go to step 11.

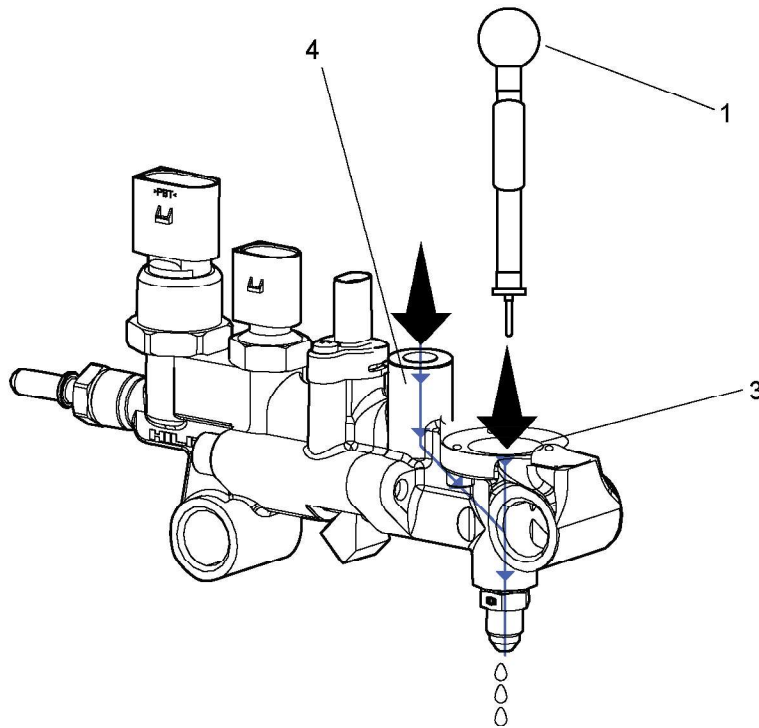


d140368

11. Remove the metering unit, Refer to section "Removal of the Diesel Exhaust Fluid Metering Unit"
12. Remove the three screws from the bottom of the metering unit; remove the diffuser heater. Refer to section "Removal of the Diesel Exhaust Fluid Metering Unit Diffuser Heater"
13. Flush the diffuser heater (2), DEF air pressure channel (4) and the metering unit mixing chamber (3) with warm water to dissolve DEF crystals using pipette supplied in DEF test kit. See figures below.



d140369



d140377

14. Does water flow through the diffuser heater?
 - a. Yes, Go to step 15.
 - b. No, replace the diffuser heater. Use service kit A000 140 4539.
15. Inspect DEF nozzle and supply hose for damage.
 - a. If damage is found, replace nozzle and/or supply hose. Refer to section "Installation of the Diesel Exhaust Fluid Nozzle" . Go to step 16.
 - b. If no damage is found, install nozzle and supply hose. Refer to section "Installation of the Diesel Exhaust Fluid Nozzle" . Go to step 16.
16. Install removed components.

**WARNING: EYE INJURY**

To avoid injury from flying debris when using compressed air, wear adequate eye protection (face shield or safety goggles) and do not exceed 276 kPa (40 psi) air pressure.

17. Perform SCR air pressure test (60-second duration).
18. Does the DEF air pressure read between 131–200 kPa (19–29 psi)?
 - a. If yes, testing is completed. Clear faults and release vehicle.
 - b. If no, obtain log file of SCR air pressure system check and contact Detroit™ Customer Support Center (800-445-1980) for further instruction.