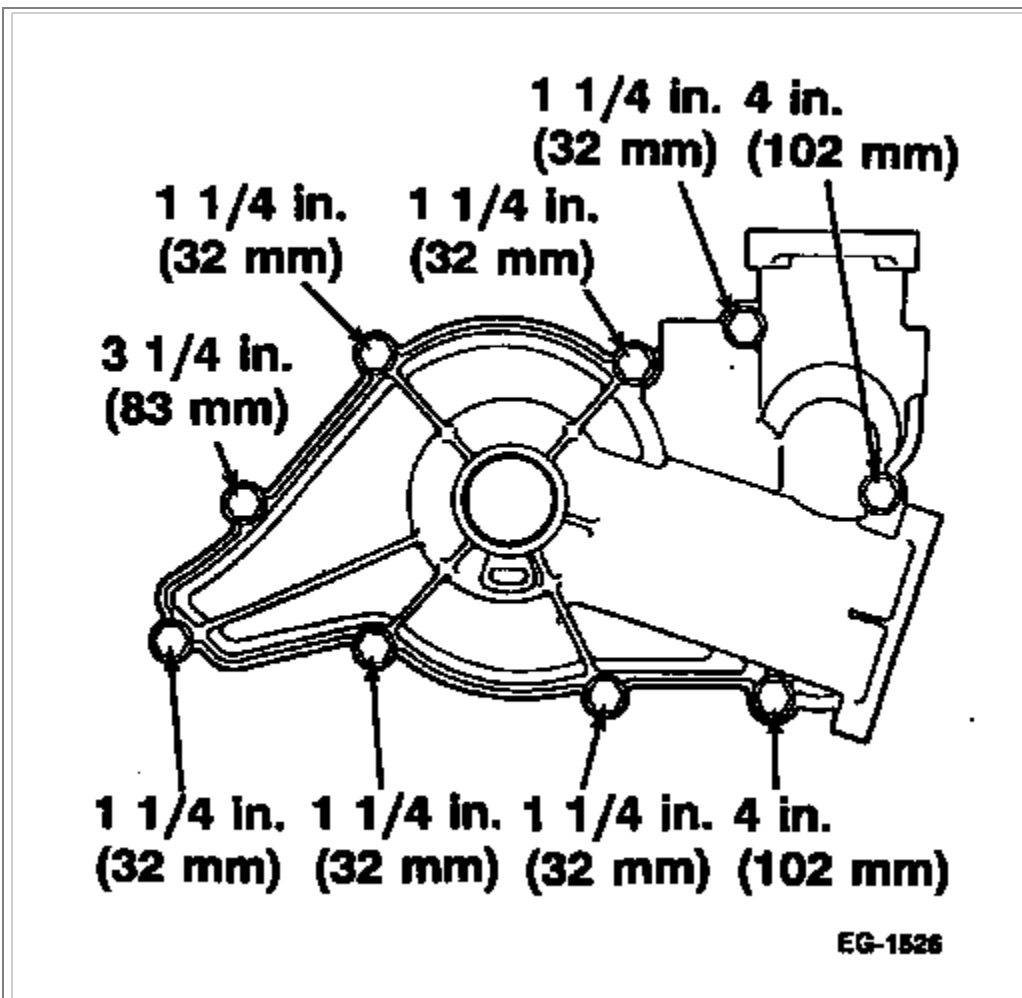


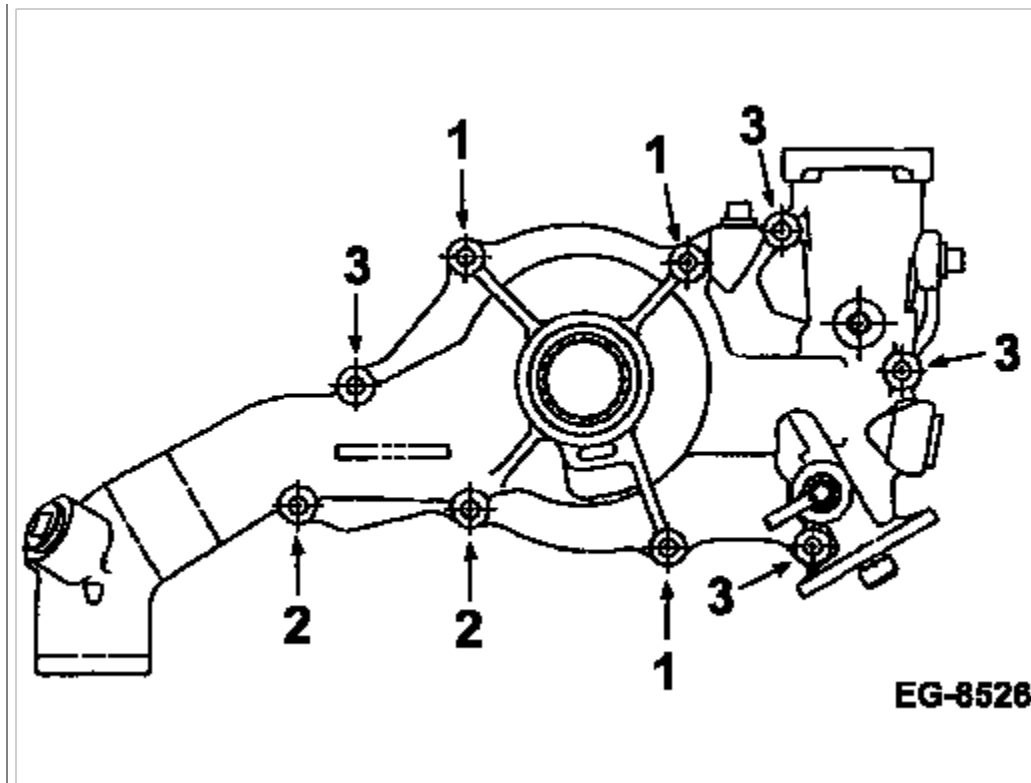
Water Pump

NOTE: On engines equipped with the coolant filter mounted on the water pump housing, remove the coolant filter.



Aluminum Water Pump Mounting Bolts

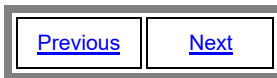
1. 30 mm (1-1/4 in)
2. 80 mm (3-1/4 in)
3. 100 mm (4 in)



Cast Iron Water Pump Mounting Bolts

- 1. 30 mm (1-1/4 in)
- 2. 60 mm (2-1/2 in)
- 3. 100 mm (4 in)

1. Remove the mounting bolts that secure the water pump to the front cover.
2. Remove and discard the water pump gasket.



© 2019 Navistar, Inc. All rights reserved. All marks are trademarks of their respective owners.