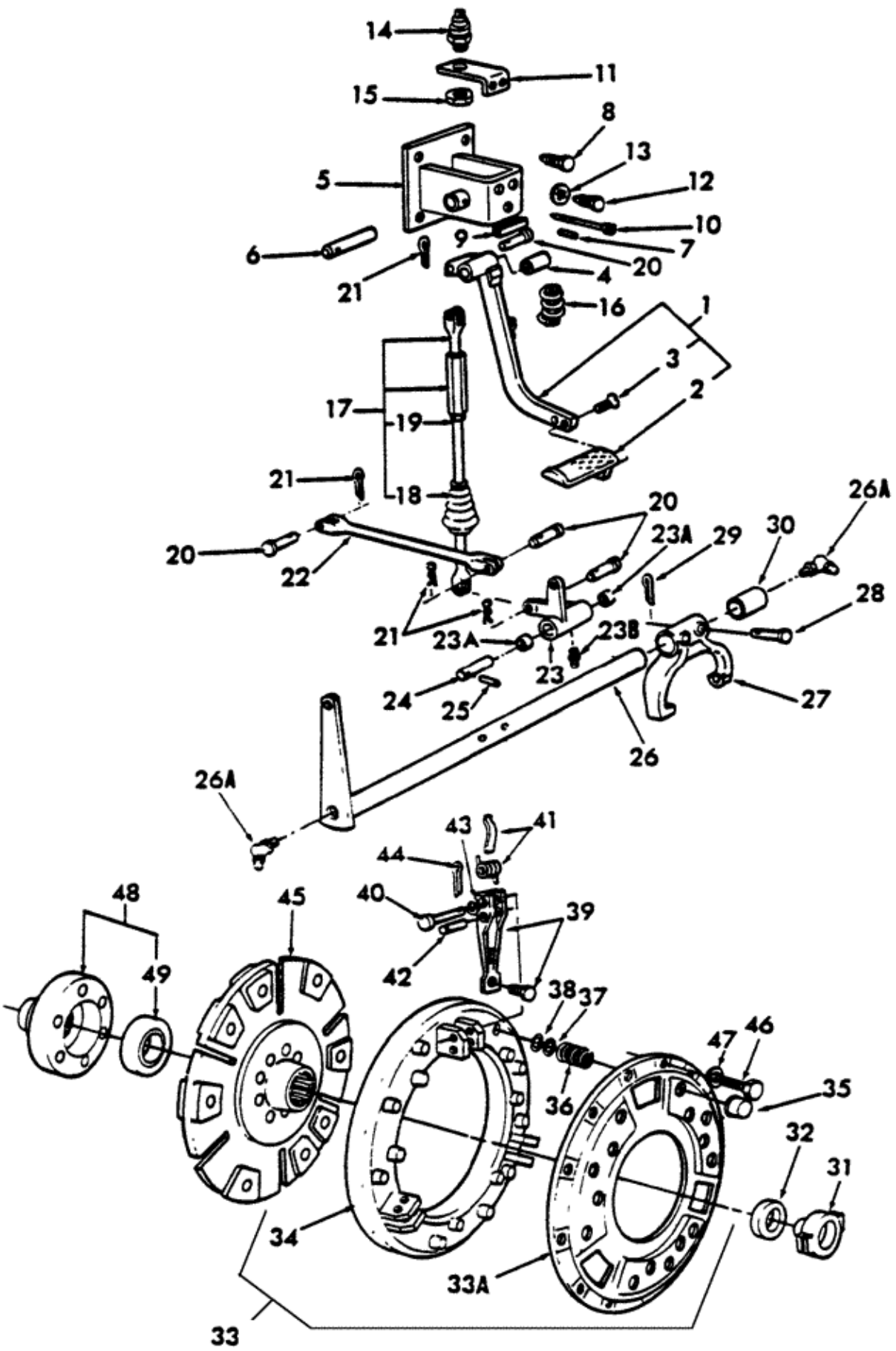


Serial Number:

Navigated Path: New Holland AG NAR > TRACTORS > AGRICULTURAL > TW > TW20 - 6 CYL AG TRACTOR FLAT DECK (1/79-12/82) > 03 - TRANSMISSION > 07F02 - CLUTCH CONTROLS - TW20, TW30 >



Serial Number:

Navigated Path: New Holland AG NAR > TRACTORS > AGRICULTURAL > TW > TW20 - 6 CYL AG TRACTOR FLAT DECK (1/79-12/82) > 03 - TRANSMISSION > 07F02 - CLUTCH CONTROLS - TW20, TW30 >

Ref	Qty	Part #	Part Description	Usage
1	1	D8NN7N642CB11B	PEDAL	Pedal & Shank Assy., Clutch, Includes: Ref. 2 & 3, Start Year: 01-JAN-79
2	1	D8NN7520AA	PEDAL	Pedal, Clutch, Years: 01-JAN-79-31-AUG-81
2	1	E1NN7520AA	PEDAL	Pedal, Start Year: 01-SEP-81
3	2	34699S8	NUT	Screw, Flat Hd., 3/8"-16 x 1", Start Year: 01-JAN-79
				NHNA Only.
3	2	86511984	SCREW,Flat, 3/8" - 16 x 1 1/4"	Screw, Flat Hd, CSK, 3/8"-16 x 1-1/4"
				NH-E Only.
4	2	D8NN2461BA	DRIVE BUSHING	Bushing, Pedal, Start Year: 01-JAN-79
5	1	D8NN7N546AB	SUPPORT	Support Assy., Clutch Pedal, Start Year: 01-JAN-79
6	1	D4NN7506B	SHAFT	Shaft, Pedal, Start Year: 01-JAN-79
7	1	354816S7	ROLL PIN	Pin, Roll, 3/16" x 1-1/4", Start Year: 01-JAN-79, Serial Range: Pin-Support
8	4	11106231	BOLT,Hex, M10 x 1.5 x 25mm, CI 10.9	Screw, HH, W/Washer, CL 8.8, M10 x 1.5 x 25, Start Year: 01-JAN-79
9	1	D8NN2B184AA	BUMPER	Bumper, Brake Pedal, Start Year: 01-JAN-79
10	1	263117	CABLE TIE,292.1mm L	Strap, Cable, .14 x 11 1/2" L, Start Year: 01-JAN-79
11	1	D8NN7R439AA11B	BRACKET	Bracket Assy., Safety Start Switch, Start Year: 01-JAN-79
12	2	87872	BOLT,Hex, 5/16" - 18 x 3/4", Gr 5	Screw, Cap, HH, G5, 5/16"-18 x 3/4", Bracket to Support, Start Year: 01-JAN-79
13	2	280278	LOCK WASHER,Ext Tooth, 5/16"	Washer, Lock, Ext T, 5/16", Start Year: 01-JAN-79
14	1	81817901	NEUTRAL START SWITCH	Switch, Safety Start, Start Year: 01-JAN-79
15	1	359041S2	NUT	Nut, Hex Jam, 3/4"-16, Start Year: 01-JAN-79, Serial Range: Switch-Bracket
16	1	C7NN7N598A	SPRING	Spring Assy., Pedal Assist, Start Year: 01-JAN-79
17	1	D8NN7N640AC	ROD	Rod & Turnbuckle Assy., Clutch, Includes: Ref. 18 & 19, Start Year: 01-JAN-79
18	1	D4NN7N646A	BOOT	Boot, Pedal Linkage, Start Year: 01-JAN-79
19	1	87308	JAM NUT,Jam, 3/8"-24, G2	Nut, Jam, G2, 3/8"-24, Start Year: 01-JAN-79
20	4	73919S36	CLEVIS PIN,3/8" x 1 9/64"	PIN, CLEVIS, 3/8" x 1 9/64", Start Year: 01-JAN-79
21	4	353467S2	PIN	Pin, Cotter, 1/8" x 3/4", Start Year: 01-JAN-79
22	1	D8NN7D082AA	LINK CONROD	Rod Assy., Clutch Control, Start Year: 01-JAN-79
23	1	D8NN7N637DA	CRANKED HANDLE	Crank Assy., Pedal Linkage, Years: 01-JAN-79-31-JAN-86
23	1	E5NN7N637BA	CRANKED HANDLE	Crank Assy., Start Year: 01-FEB-86
23A	2	D8NN2461AA	DRIVE BUSHING	Bushing, Start Year: 01-JAN-79
23B	1	87414	LUBE NIPPLE,1/4" - 28	Nipple, Lube, Straight, 1/4"-28, Use W/E5NN7N637BA, Start Year: 01-JAN-79

Ref	Qty	Part #	Part Description	Usage
24	1	D4NN7506B	SHAFT	Shaft, Pedal, Start Year: 01-JAN-79
25	1	354816S7	ROLL PIN	Pin, Roll, 3/16" x 1-1/4", Start Year: 01-JAN-79
26	1	D8NN7503CA	SHAFT	Clutch Release Shaft Assy., Years: 01-JAN-79-31-JAN-86
26A	2	80712	LUBE NIPPLE	Fitting, Lube, 1/4"-28 x 45°, Use w/E5NN7503CA, Start Year: 01-JAN-79
27	1	C7NN7N515G	FORK	Fork, Clutch Release, Start Year: 01-JAN-79
28	2	390102S36	CLEVIS PIN	Pin, Clevis, 3/8" x 1-61/64", Start Year: 01-JAN-79, Serial Range: Fork-Shaft
29	2	280251	COTTER PIN,3/32" OD x 1" OAL	Pin, Split Cotter, 3/32" x 1", Start Year: 01-JAN-79
				No Longer Serviced.
30	2	C5NN7A615A	BUSHING	Bushing, Start Year: 01-JAN-79
31	1	E1NN7571AA	HUB	Hub, Clutch Release Bearing, Start Year: 01-JAN-79
32	1	D8NN7580CA	FLANGED BEARING,63.48mm ID x 104.14mm OD x 22.23mm W	Bearing Assy., Clutch Release, Start Year: 01-JAN-79
33	1	D8NN7563CA	DISC	Plate & Cover Assy., Clutch Pressure, Includes: Ref. 33A thru 44, Start Year: 01-JAN-79
33	1	86640467	REMAN-CLUTCH PLATE	Plate Assy
33	1	86640468	CORE-CLUTCH PLATE	Return Part Number
.				Kit Includes - qty 1 reman clutch disc for new part number D8NN7550BB ref. #45, 1 reman clutch assy for new p/n D8NN7563CA ref. #33, 1 - clutch release bearing D8NN7580CA ref. #32, 1 - thrust bearing p/n 83992560 ref. #49, 1 - instruction sheet, 1 - retur
33	1	84589635R	REMAN-CLUTCH KIT	TW20, TW30, Both 6 Cyl. Ag Flat Deck (1/79 - 12/82)
33	1	84589635C	SERVICE KIT	Return Part Number (Note:use the shipping carton kit was received in to return core parts)
33A	1	D8NN7B503AA	COVER	Cover Assy., Pressure Plate, Start Year: 01-JAN-79
34	1	D8NN7566AA	PRESSURE RING	Plate, Pressure, Start Year: 01-JAN-79
35	15	D8NN7N612AA	CUP	Cup, Pressure Spring, Start Year: 01-JAN-79
36	15	D8NN7572AA	SPRING	Spring, Plate, Start Year: 01-JAN-79
37	15	D8NN7R505AA	DISC	Washer, Plate Spring, Start Year: 01-JAN-79
38	15	D8NN7N609AA	RETAINER	Retainer, Spring, Start Year: 01-JAN-79
39	3	D8NN7515AA	LEVER	Lever Assy., Clutch Release, Start Year: 01-JAN-79
40	3	D8NN7565AA	PIN	Pin, Clevis, Release Lever, Start Year: 01-JAN-79
41	3	D8NN7562AA	SPRING	Spring, Anti-Rattle, Start Year: 01-JAN-79
42	3	D8NN7565BA	PIN	Pin, Lever Pivot, Start Year: 01-JAN-79
43	3	80702	WASHER,0.44" ID x 1" OD x 0.08" Thk	WASHER, 3/8", Start Year: 01-JAN-79
44	3	280250	COTTER PIN,3/32" x 3/4"	Pin, Split (Cotter), 3/32" x 3/4", Start Year: 01-JAN-79

Ref	Qty	Part #	Part Description	Usage
45	1	D8NN7550BB	CLUTCH & DISC ASSY,352.6mm OD	Disc Assy., Clutch, Start Year: 01-JAN-79
45	1	D8NN7550BBR	REMAN-CLUTCH DISC	Disc Assy., Six Paddle Clutch, Start Year: 01-JAN-79
45	1	D8NN7550BBC	CORE-CLUTCH DISC	Return Number
45	1	86640483	REMAN-CLUTCH DISC	Clutch Plate 14"
45	1	86640484	CORE-CLUTCH DISC	Return Part Number
46	12	88206	BOLT,Hex, 3/8" - 16 x 1", Gr 5	BOLT, , Clutch to Flywheel Hex, 3/8"-16 x 1", G5, Full Thd, Start Year: 01-JAN-79
47	12	80680	LOCK WASHER,3/8 0.381 CST ZND	WASHER, LOCK, 3/8", Start Year: 01-JAN-79
48	1	D8NNN778AA	BEARING ASSY	Plate & Bearing Assy., PTO Drive, Includes: Ref. 49, Start Year: 01-JAN-79
49	1	83992560	BALL BEARING,36.51mm ID x 68mm OD x 15mm W	Bearing Assy., Start Year: 01-JAN-79