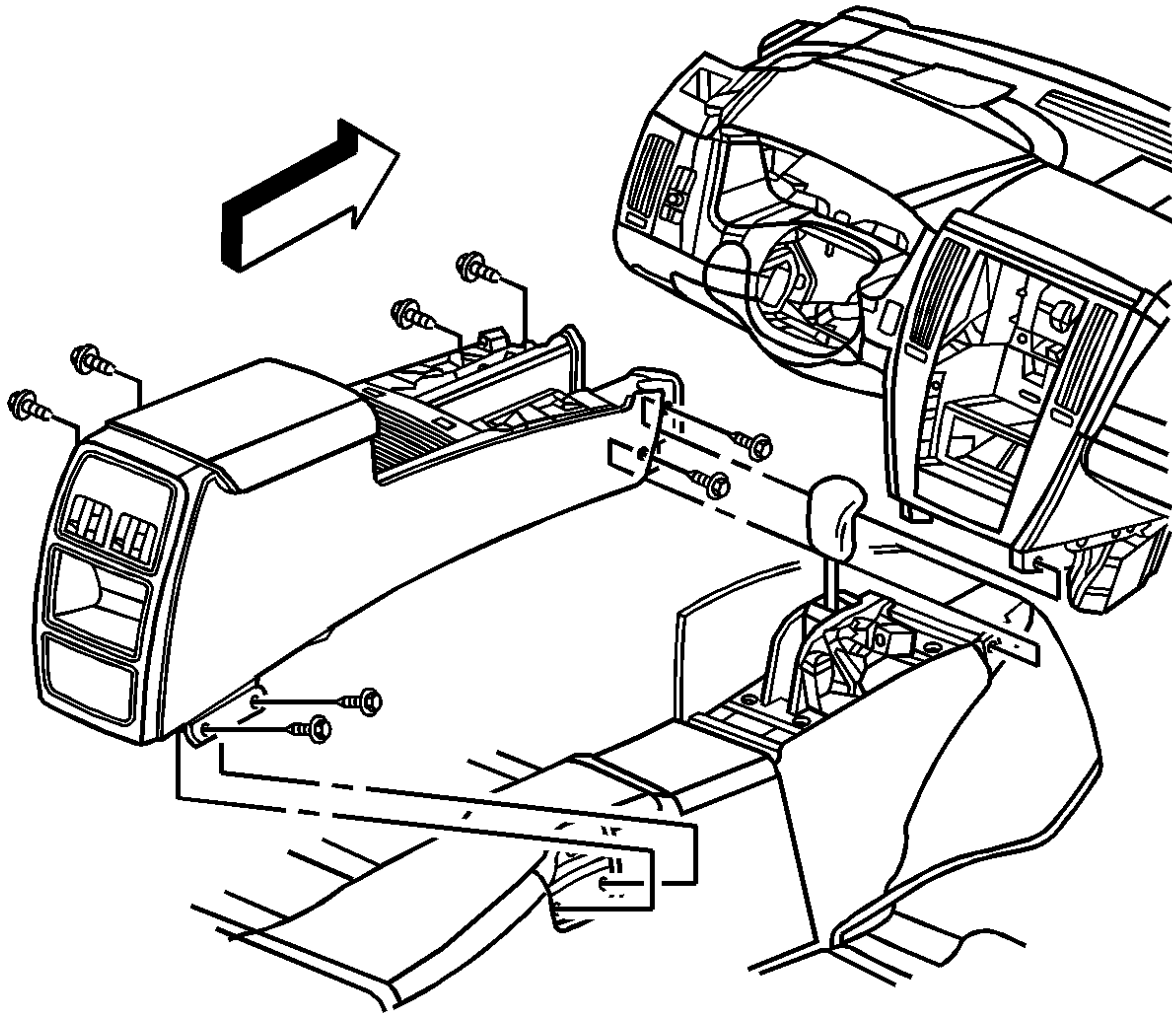


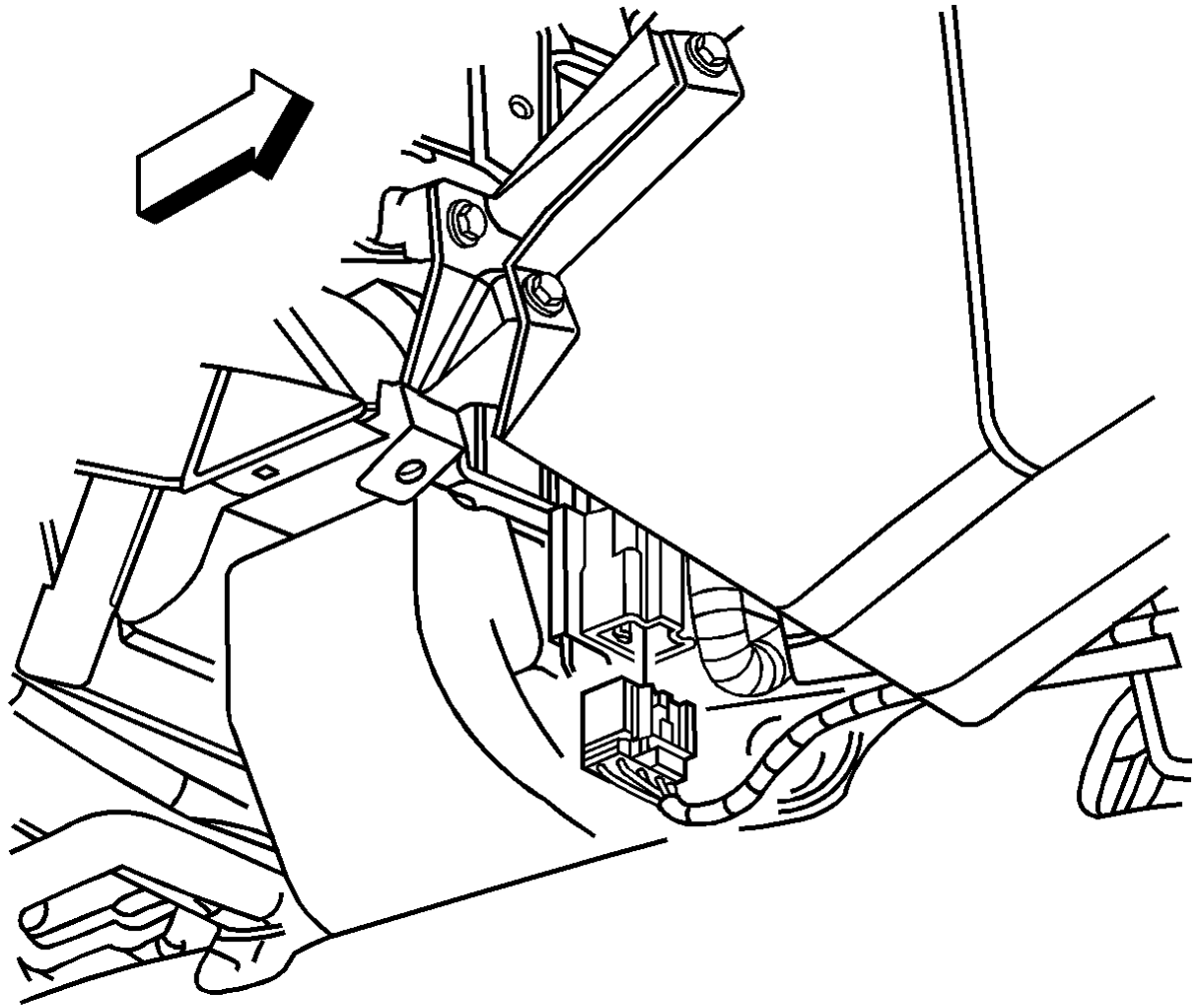
**TRANSMISSION CONTROL REPLACEM...**

FRONT FLOOR CONSOLE REPLACEMENT (INSTRUMENT PANEL AND CONSOLE TRIM)

Document ID# 1734224

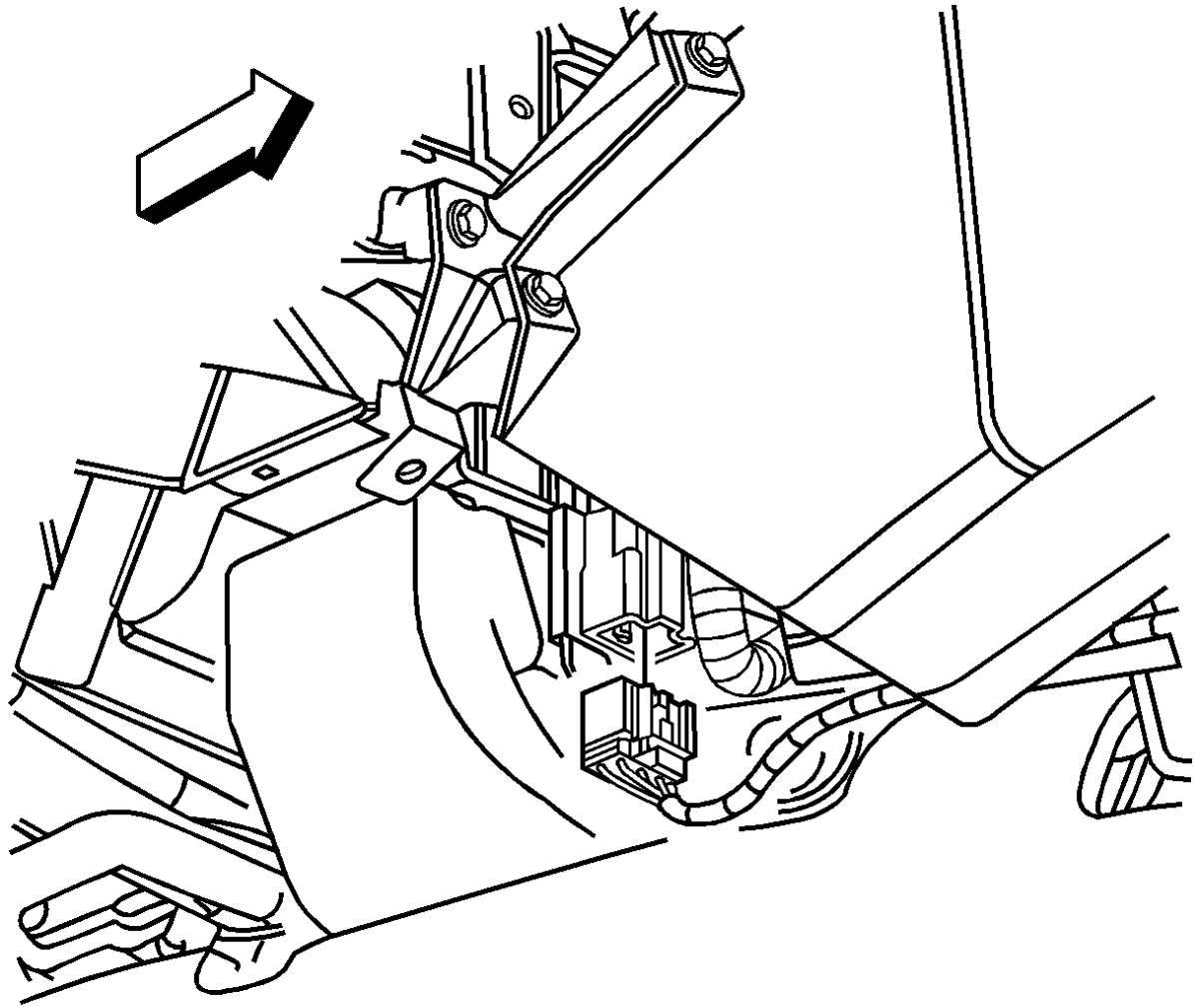
**Front Floor Console Replacement****Removal Procedure**

1. Remove the upper console trim. Refer to [Front Floor Upper Console Trim Plate Replacement](#).
2. Remove the [shifter bezel](#). Refer to [Console Shift Lever Bezel Replacement](#).
3. Move the driver and passenger front seat in order to access the retaining bolts.
4. Remove the retaining bolts.

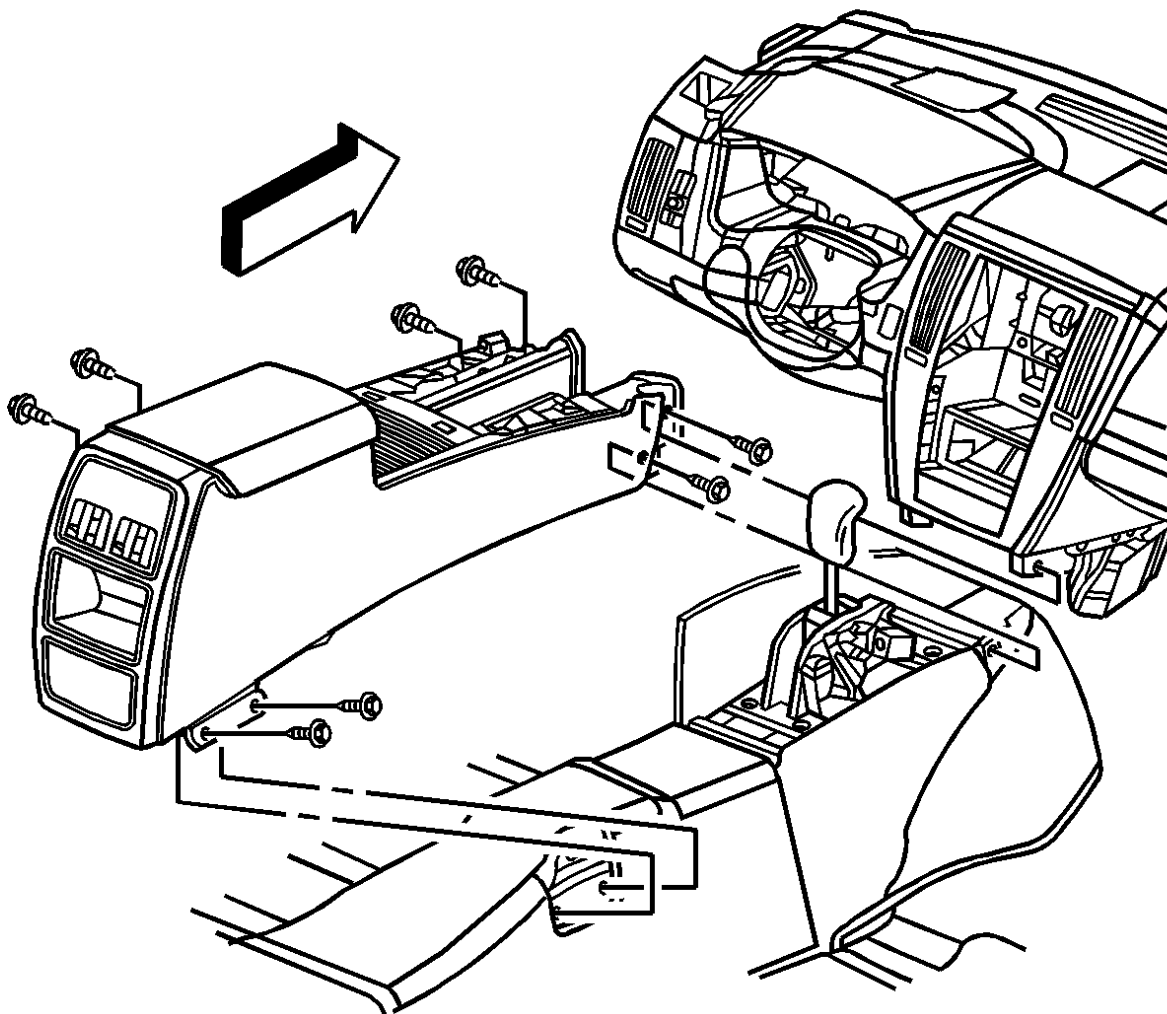


5. Disconnect the 4 console electrical connectors from the instrument panel harness.
6. Remove the console.

### **Installation Procedure**



1. Connect the 4 console electrical connectors to the instrument panel harness.
2. Locate the center console to the mounting brackets.



3. Move the driver and passenger front seat in order to access the retaining bolts.

**Notice:** Refer to [Fastener Notice](#).

4. Install the retaining bolts.

Tighten:

Tighten the bolt to 9 [n-m] (80 lb in).

5. Install the Upper console trim. Refer to [Front Floor Upper Console Trim Plate Replacement](#).

6. Install the [shifter bezel](#). Refer to [Console Shift Lever Bezel Replacement](#).

---

"Portions of materials contained herein have been reprinted with permission of General Motors Corporation, Service and Parts Operations" License Agreement #0410810.

Copyright 2007 - 2012 Service Repair Solutions, Inc.