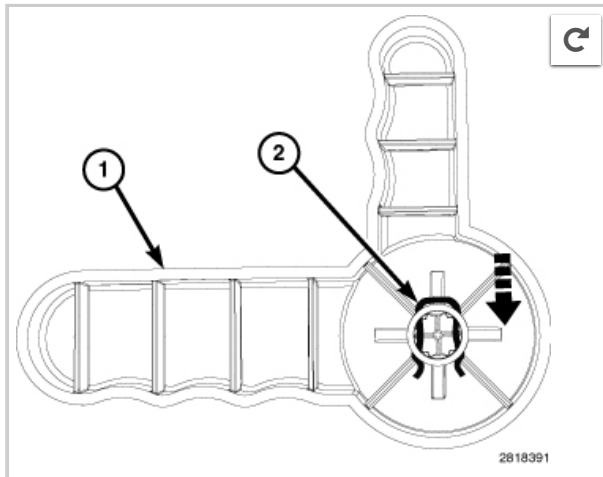


## Body • Seats • Front Recliner Handle • Installation

[Report a problem with this article](#)

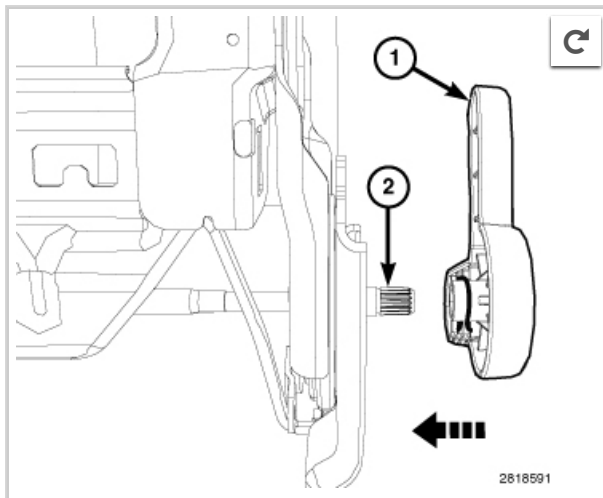
### INSTALLATION

**✚ Labor Operations:** Click to display a list of Labor Operations associated with this procedure

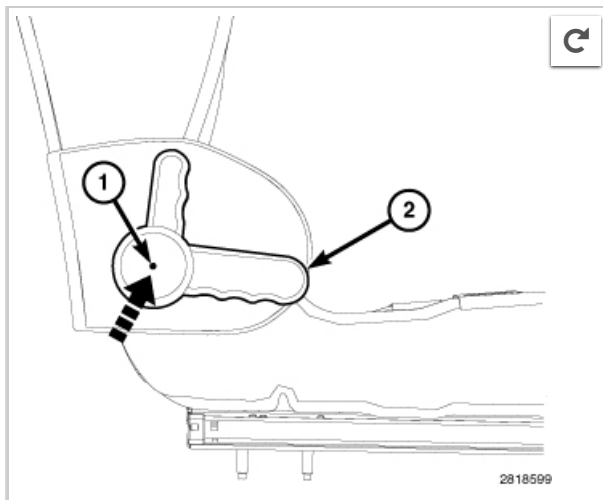


**NOTE:** EZ Entry handle shown, normal recliner handle similar.

1. Install the clip (2) onto the recliner handle (1), if necessary.



2. Position the recliner handle (1) onto the spined shaft (2).



**CAUTION:** Press the handle (2) on only at the location of the spined shaft (1). Failure to do so may result in a damaged recliner handle.

3. Pressing at the location of the spined shaft (1), seat the recliner handle (2) fully.