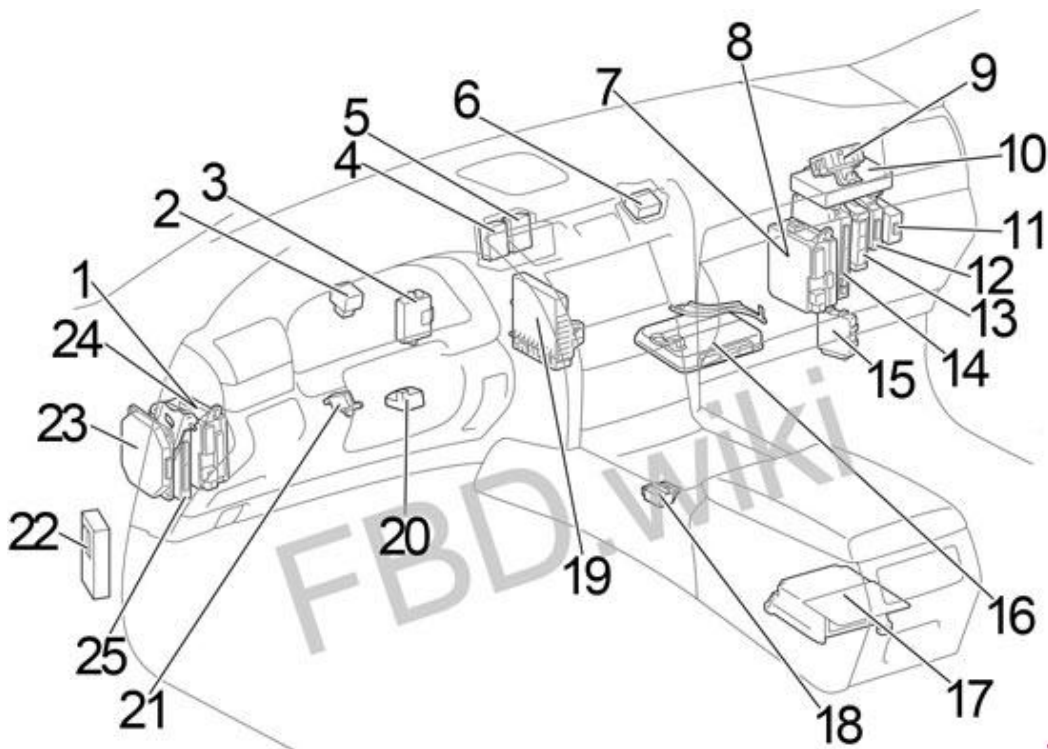


2007-2012 LEXUS LS 460 FUSE BOX DIAGRAM

Passenger Compartment

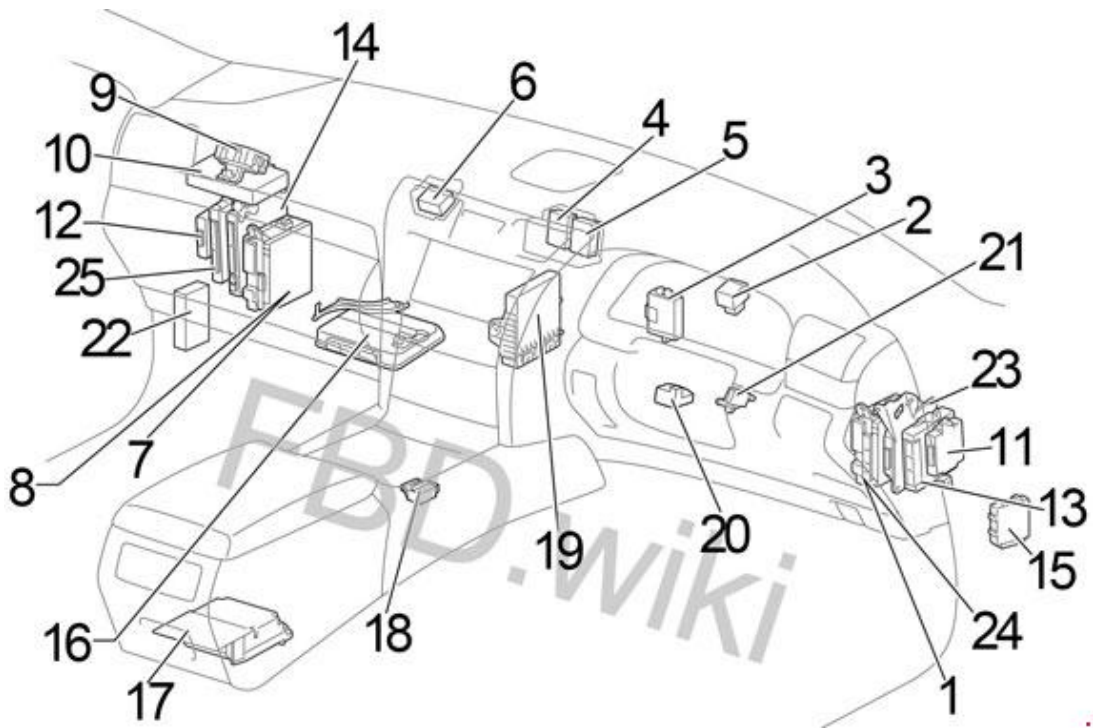
LHD



(http://fotohostingtv.ru/show.php/21544_knigaproavtoru11042752.jpg.html)

(2007)

RHD

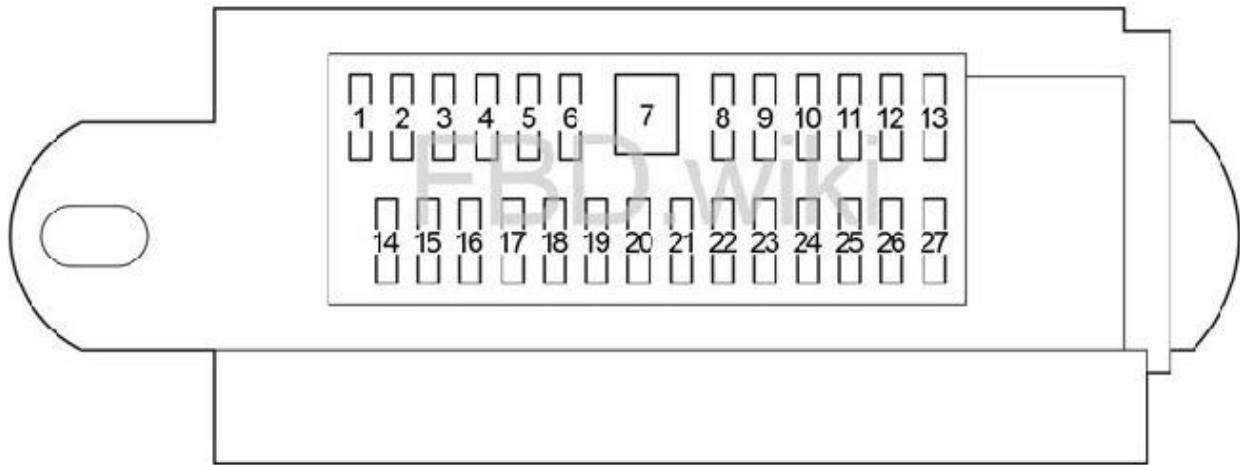


(http://fotohostingtv.ru/show.php/21543_knigaproavtoru11042858.jpg.html)

(2007)

1. Fuse Box No.1
2. Flasher Relay
3. ID Code Box
4. Junction Block
5. Junction Block
6. Junction Block
7. Fuse Box No.2
8. Electric Power Control ECU
9. Tire Pressure Warning ECU and Receiver
10. Navigation ECU
11. Gateway ECU
12. Clearance Sonar ECU
13. Air Suspension Control ECU
14. Parking Assist ECU
15. AFS ECU
16. Steering Control ECU
17. Center Airbag ECU
18. Shift Lock Control ECU
19. A/C Amplifier
20. Steering Lock ECU
21. Multiplex Tilt and Telescopic ECU
22. Driving Support ECU
23. Driver Monitor ECU
24. Main Body ECU
25. Certification ECU

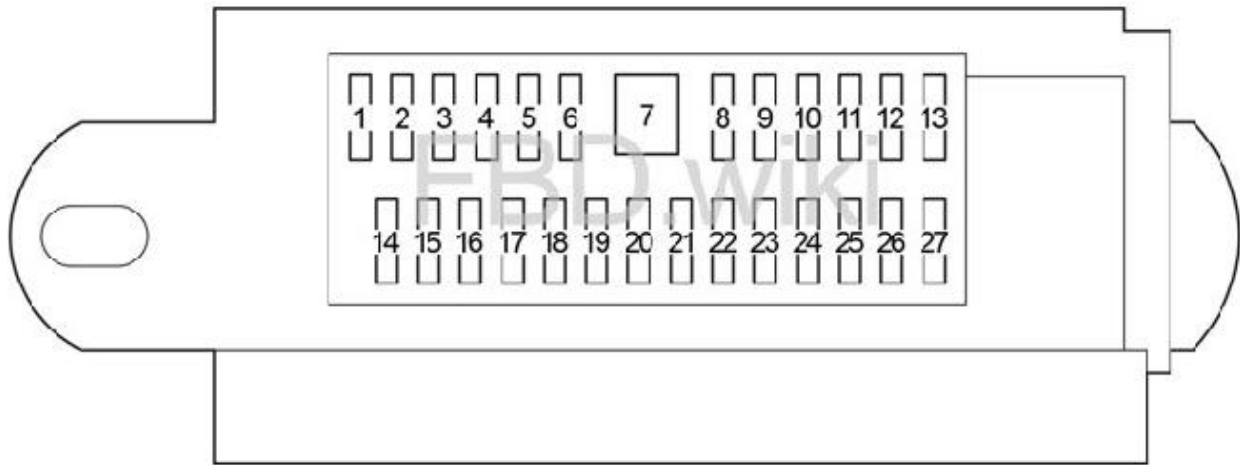
Passenger Compartment Fuse Box No.1 (Driver Side)



(http://fotohostingtv.ru/show.php/21548_knigaproavtoru11041146.jpg.html)

| No. | Fuse | A | Circuit |
|-----|------------|----|---|
| 1 | D MPX-B 1 | 10 | Meters and gauges, front seat adjustment, rear seat adjustment, tilt and telescopic steering, power door lock system, cruise control system |
| 2 | DOME | 10 | Interior lights, clock |
| 3 | D MPX-B 2 | 10 | Audio system |
| 4 | PANEL | 10 | Fuel filler door opener, interior lights, audio system |
| 5 | - | - | - |
| 6 | SECURITY | 5 | Smart access system with push-button start, theft deterrent system |
| 7 | AMP | 30 | Audio system |
| 8 | STR LOCK | 20 | Tilt and telescopic steering |
| 9 | D DOOR 2 | 10 | Power door lock system |
| 10 | HAZ | 10 | Turn signal lights |
| 11 | D RR DOOR | 25 | Interior lights, power door lock system, power windows |
| 12 | D DOOR 1 | 25 | Interior lights, outside rear view mirror, power door lock system, power windows, outside rear view mirror defogger |
| 13 | STOP | 5 | Stop lights |
| 14 | D-IG1-3 | 10 | Automatic transmission, power door lock system, cruise control system, brake system, rear window defogger, moon roof, pre-collision seat belt, head restraints, power outlet, turn signal lights, climate control seat system, audio system |
| 15 | D-IG1-2 | 5 | Cruise control system |
| 16 | D-IG1-4 | 15 | Starter system, climate control seat system |
| 17 | D-IG1-1 | 5 | Main body ECU, pre-collision seat belt, tilt and telescopic steering, starter system |
| 18 | PWR OUTLET | 15 | Power outlet |
| 19 | D-ACC | 5 | Power door lock system |
| 20 | - | - | - |
| 21 | S/ROOF | 30 | Moon roof |
| 22 | TI&TE | 30 | Tilt and telescopic steering |
| 23 | AM1 | 5 | Power door lock system |
| 24 | OBD | 10 | On-board diagnosis system |
| 25 | D P/SEAT | 30 | Front seat adjustment |
| 26 | D S/HTR | 20 | Climate control seat system |
| 27 | D RR S/HTR | 30 | Climate control seat system |

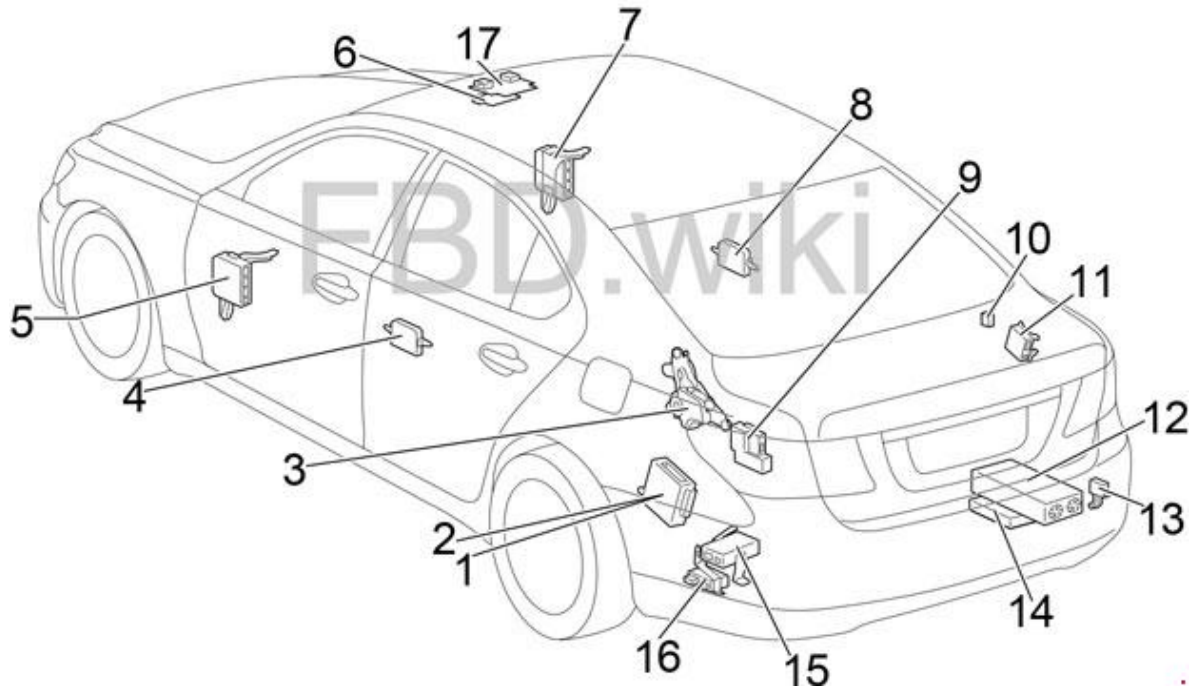
Passenger Compartment Fuse Box No.2 (Passenger Side)



(http://fotohostingtv.ru/show.php/21548_knigaproavtoru11041146.jpg.html)

| No. | Fuse | A | Circuit |
|-----|------------|----|---|
| 1 | P IG2 | 5 | Tilt and telescopic steering, smart access system with push-button start, meters and gauges, electric power control system, Lexus link system |
| 2 | P RR-IG2 | 5 | On-board diagnosis system, Lexus link system |
| 3 | P MPX-B | 10 | Power door lock system, front seat adjustment, rear seat adjustment, VGRS, smart access system with push-button start, starter system, intuitive parking assist |
| 4 | - | - | - |
| 5 | AIRSUS | 20 | Electronically modulated air suspension system |
| 6 | AM2 | 10 | Power door lock system |
| 7 | AMP | 30 | Audio system |
| 8 | RADIO NO.1 | 20 | Air conditioning system, navigation system, Lexus link system |
| 9 | PMG | 5 | Electric power control system |
| 10 | P-D/C CUT | 5 | Headlight switch, windshield wiper and washer, horn, tilt and telescopic steering, power windows, power door lock system, door sunshade, rear sunshade, rear seat adjustment, steering wheel switches |
| | | 10 | Headlight switch, windshield wiper and washer, horn, tilt and telescopic steering, power windows, power door lock system, door sunshade, rear sunshade, rear seat adjustment, steering wheel switches |
| 11 | P DOOR 2 | 10 | Power door lock system |
| 12 | P RR DOOR | 25 | Interior lights, power door lock system, power windows |
| 13 | P DOOR 1 | 25 | Interior lights, outside rear view mirror, power door lock system, power windows, outside rear view mirror defogger |
| 14 | P-IG1-2 | 5 | Audio system |
| 15 | P-IG1-3 | 5 | Variable Gear Ratio Steering (VGRS) |
| 16 | P-IG1-1 | 10 | Audio system, navigation system, power door lock system, VGRS, air conditioning system, head restraints, pre-collision seat belt, intuitive parking assist, tire pressure warning system |
| 17 | P-IG1-4 | 10 | Climate control seat system |
| 18 | P-CIG | 15 | Cigarette lighter |
| 19 | P-ACC | 5 | Audio system, navigation system, clock, Lexus link system, cruise control system |
| 20 | - | - | - |
| 21 | - | - | - |
| 22 | A/C | 10 | Air conditioning system |

| | | | |
|----|------------|----|-----------------------------|
| 23 | P S/HTR | 20 | Climate control seat system |
| 24 | P P/SEAT 2 | 30 | Front seat adjustment |
| 25 | RR SEAT | 30 | Rear seat adjustment |
| 26 | P P/SEAT 1 | 30 | Front seat adjustment |
| 27 | P RR S/HTR | 30 | Climate control seat system |

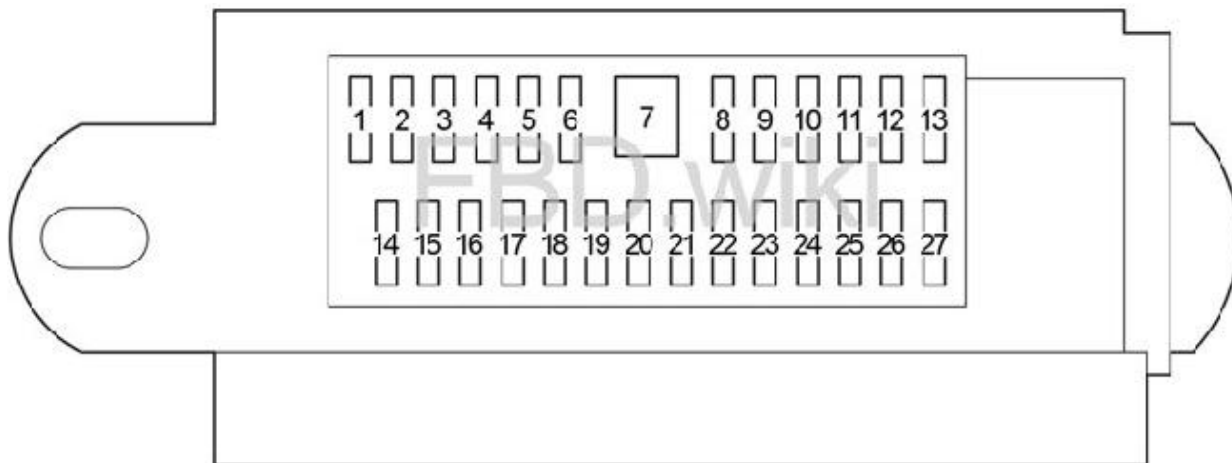


(http://fotohostingtv.ru/show.php/21552_knigaproavtoru11043405.jpg.html)

(2007)

1. Fuse Box
2. Power Trunk Lid Control ECU
3. Rear Door Control ECU LH
4. Front Door Control ECU LH
5. Sliding Roof Control ECU
6. Front Door Control ECU RH
7. Rear Door Control ECU RH
8. Massage Seat ECU
9. Junction Connector (CAN)
10. Object Recognition ECU
11. Stereo Component Amplifier
12. Door Control Receiver
13. Rear Seat Entertainment ECU
14. Seat Belt Control ECU
15. Parking Brake ECU
16. Rear Junction Block ECU

Luggage Compartment Fuse Box

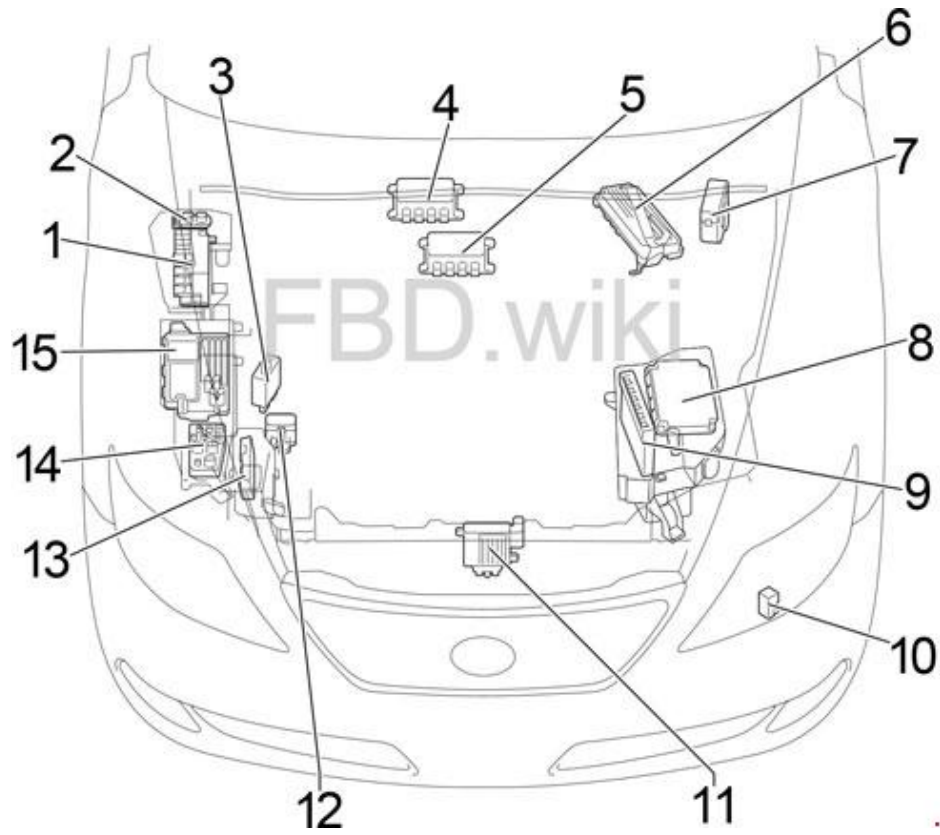


(http://fotohostingtv.ru/show.php/21548_knigaproavtoru11041146.jpg.html)

| No. | Fuse | A | Circuit |
|-----|------------|----|---|
| 1 | RR MPX-B 1 | 10 | Audio system, rear seat entertainment system, power trunk opener and closer |
| 2 | RR MPX-B 2 | 5 | Power door lock system, rear seat adjustment, interior lights, power trunk opener and closer, alarm |
| 3 | IGCT 3 | 5 | - |
| 4 | - | - | - |
| 5 | BATT FAN | 20 | Electric cooling fan |
| 6 | B-FAN RLY | 5 | Electric cooling fan |
| 7 | E-PKB | 30 | Brake system |
| 8 | RR ECU-B | 5 | Seat belt buckle lights, trunk light |
| 9 | ABS MAIN 4 | 10 | Capacitor |
| 10 | STOP LP 1 | 5 | Stop lights, back-up lights |
| | | 10 | Stop lights, back-up lights |
| 11 | STOP LP 2 | 10 | Stop lights, high-mounted stoplights |
| 12 | - | - | - |
| 13 | TAIL | 5 | Tail lights, license plate lights |
| 14 | RR-IG1-3 | 10 | Climate control seat system |
| 15 | RR-IG1-4 | 10 | Rear seat adjustment |
| 16 | RR-IG1-2 | 10 | Power door lock system, cool box, air conditioning system |
| 17 | RR-IG1-1 | 5 | Capacitor, brake system, rear seat adjustment |
| 18 | RR-ACC | 5 | Audio system, rear seat entertainment system |
| 19 | RR-CIG | 15 | Cigarette lighter |
| 20 | AC100/115V | 15 | Power outlet |
| 21 | RL SEAT | 30 | Rear seat adjustment |
| 22 | B/ANC | 10 | Shoulder anchor |
| 23 | RR S/SHADE | 10 | Rear sunshade |
| 24 | PBS | 30 | Pre-collision seat belt |
| 25 | PTL | 30 | Power trunk opener and closer |
| 26 | FUEL OPN | 15 | Fuel filler door opener, power trunk opener and closer |
| 27 | - | - | - |

Engine Compartment

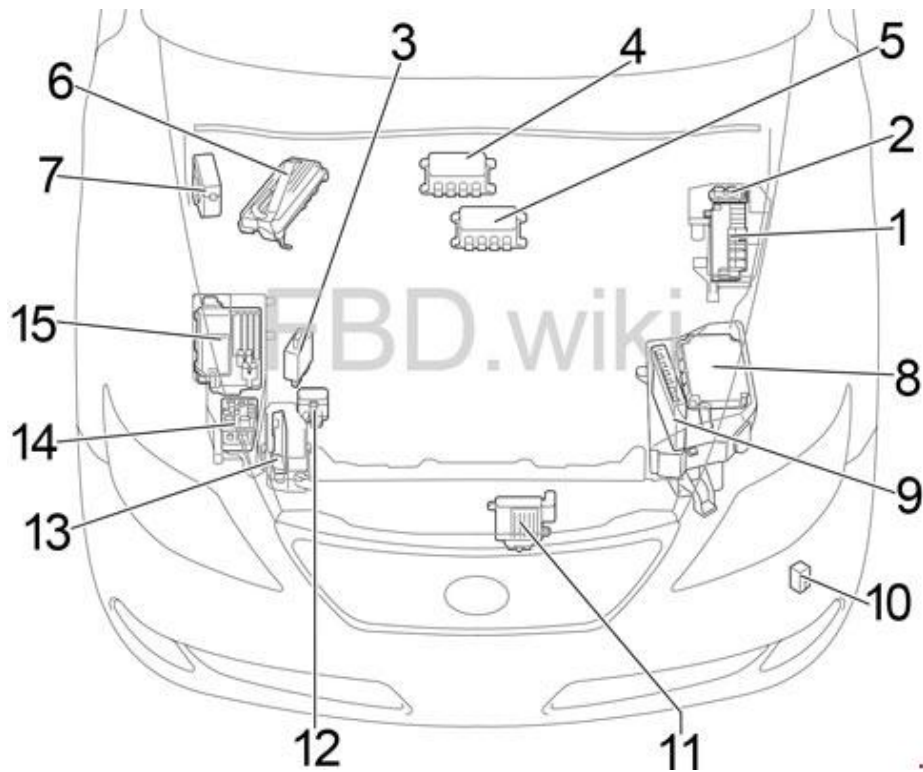
LHD



(http://fotohostingtv.ru/show.php/21545_knigaproavtoru11045939.jpg.html)

(2007)

RHD



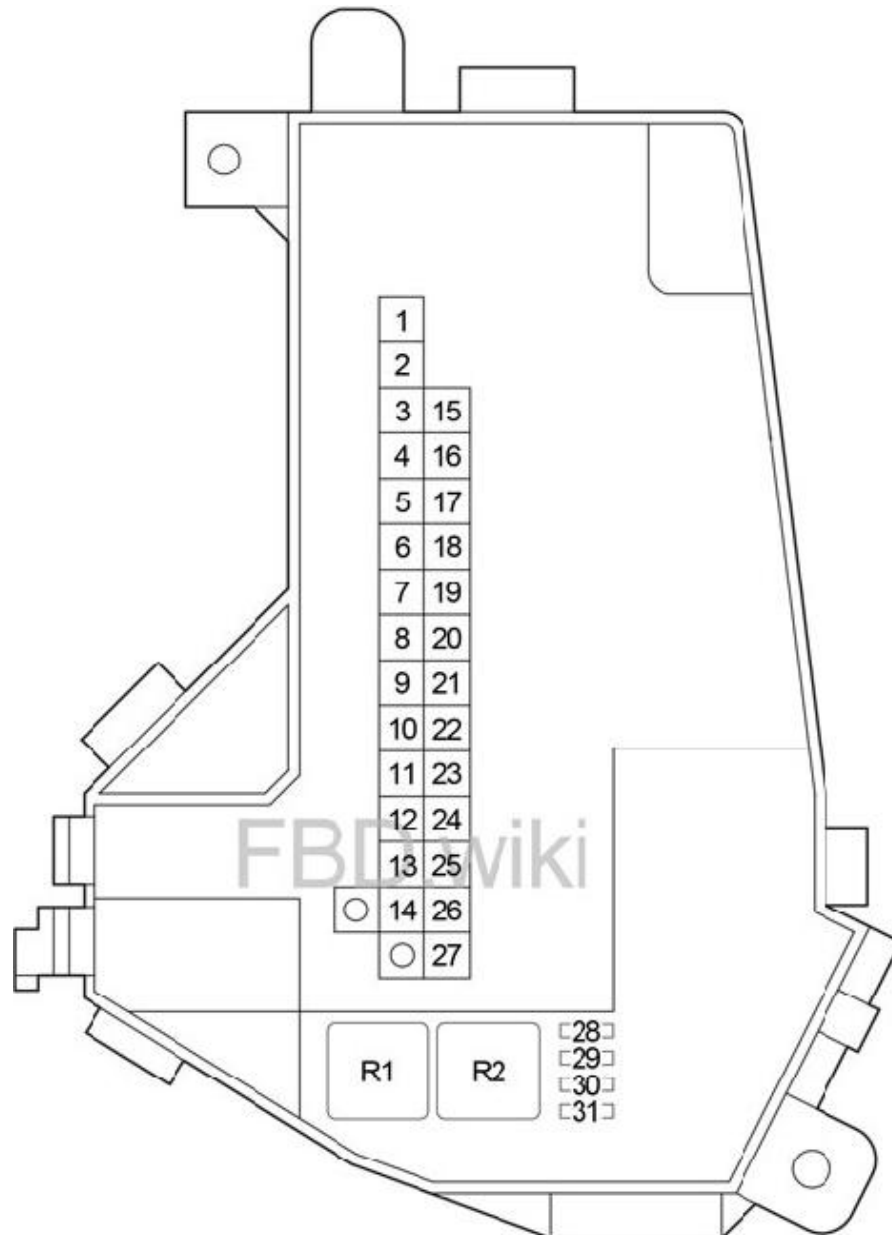
(http://fotohostingtv.ru/show.php/21551_knigaproavtoru11045842.jpg.html)

(2007)

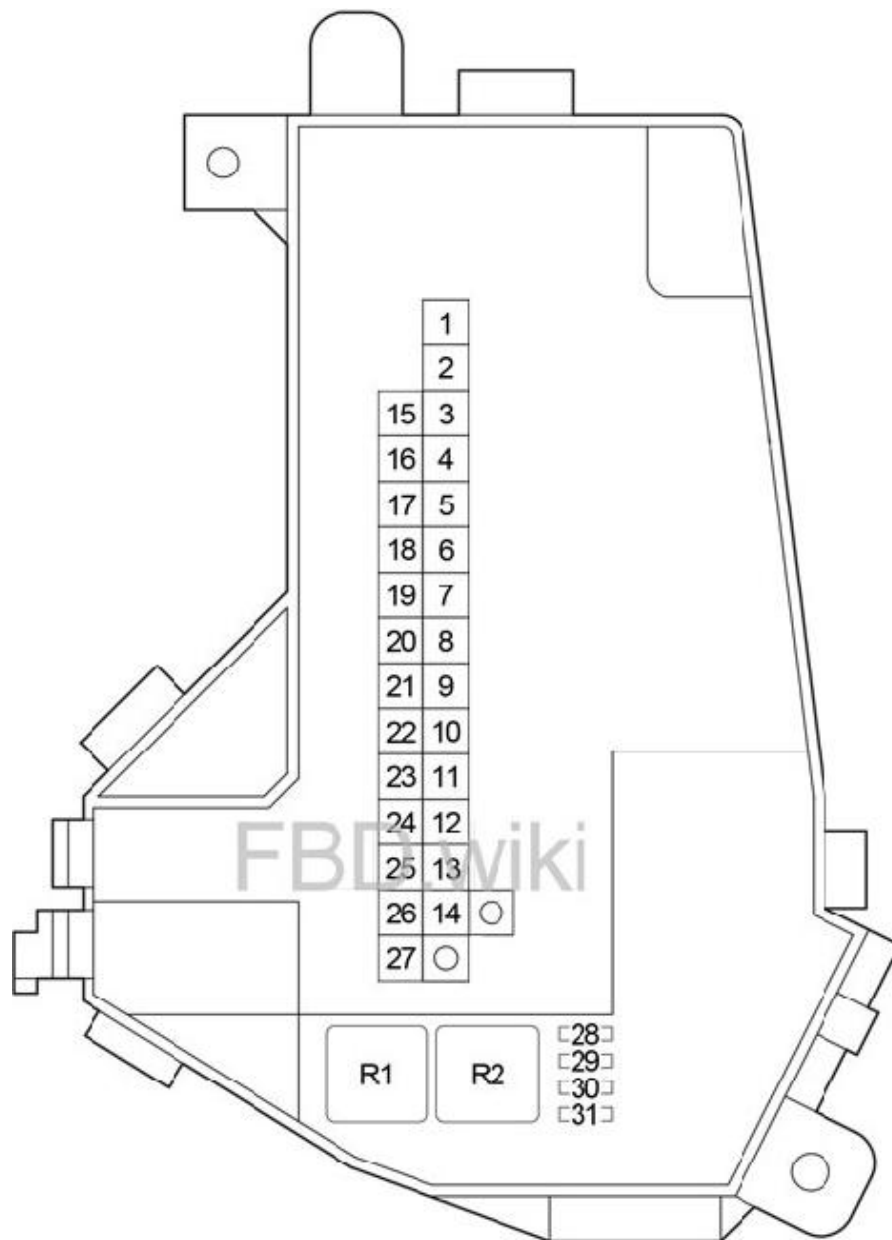
1. Fuse Box No.1
2. Power Steering ECU
3. Injector Driver (Bank 2)
4. Injector Driver (Bank 1)
5. Skid Control ECU
6. Relay Box No.1
7. Transmission Control ECU
8. Engine ECU
9. Headlight Cleaner Relay
10. Fan Control ECU
11. Relay Box No.2
12. Front Controller
13. Fuse Box No.2
14. Junction Block
15. Junction Block

Engine Compartment Fuse Box No.1

LHD



RHD

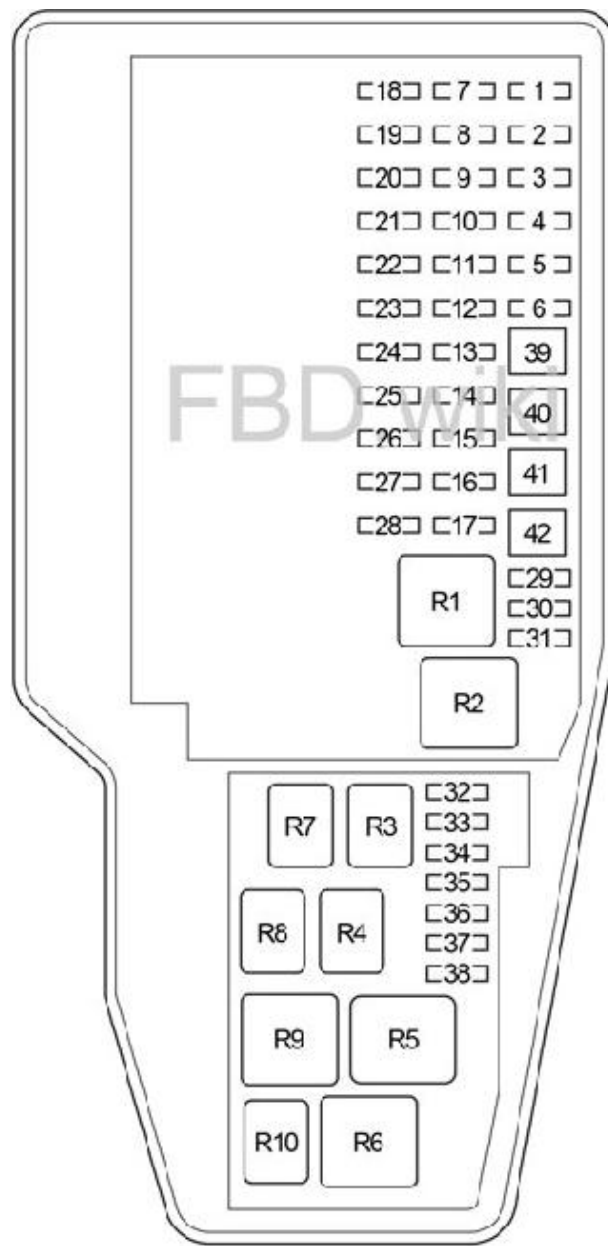


(http://fotohostingtv.ru/show.php/21546_knigaproavtoru11053643.jpg.html)

| No. | Fuse | A | Circuit |
|-----|--------------|----|--|
| 1 | H/LP CLN | 30 | Headlight cleaner |
| 2 | PTC HTR 2 | 50 | PTC heater |
| 3 | DEFOG | 40 | Rear window defogger |
| 4 | NOISE FILTER | 40 | |
| 5 | HTR | 50 | Air conditioning system |
| 6 | AIRSUS | 40 | Electronically modulated air suspension system |
| 7 | RR A/C | 30 | Rear air conditioning system |
| 8 | LUG-J/B ALT | 50 | Fuse: "PTL", "RL SEAT", "B/ANC", "FUEL OPN", "RR S/SHADE", "PSB", "RR-IG1-1", "RR-IG1-2", "RR-IG1-3", "RR-ACC", "RR-CIG", "AC100/115V", "RR-IG1-4" |

| | | | |
|--------------|---------------------------------|-----|---|
| 9 | PTC HTR | 60 | Fuse: "PTC HTR 1", "PTC HTR 3" |
| | P-J/B ALT | 60 | Fuse: "P P/SEAT 1", "P P/SEAT 2", "A/C", "RR SEAT", "P S/HTR", "P RR S/HTR", "P-IG1-1", "P-IG1-2", "P-IG1-3", "P-IG1-4", "P-ACC", "P-CIG", "AIR SUS" |
| 10 | D-JB ALT | 80 | Climate control seat system, fuse: "OBD", "D P/SEAT", "TI&TE", "AM1", "S/ROOF", "D-IG1-1", "D-IG1-2", "D-IG1-3", "D-IG1-4", "D-ACC", "PWR OUTLET", "PANEL", "D S/HTR", "S/ROOF", "D RR S/HTR" |
| 11 | E/B RM1 | 80 | Fuse: "DEICER", "WIP", "E/G RM-IG1-1", "E/G RM-IG1-2", "NV-IR", "FR FOG", "FR CTRL ALT", "ABS MTR1" |
| 12 | FAN NO.1 | 80 | Electric cooling fans |
| 13 | P-J/B ALT | 60 | Climate control seat system, fuse: "P P/SEAT 1", "P P/SEAT 2", "A/C", "RR SEAT", "P-IG1-1", "P-IG1-2", "P-IG1-3", "P-IG1-4", "P-ACC", "P-CIG", "AIR SUS" |
| | PTC HTR | 60 | Fuse: "PTC HTR 1", "PTC HTR 3" |
| 14 | ALT | 180 | "AIR SUS", "HTR", "DEFOG", "FAN NO.1", "H-LP CLN", "PTC HTR 2", "PTC HTR", "RR A/C", "E/G RM1", "D-J/B ALT", "P-J/B ALT", "LUG-J/B ALT" |
| 15 | - | - | - |
| 16 | BAT VB | 30 | VSSR |
| 17 | VGRS | 40 | Variable Gear Ratio Steering |
| 18 | P-J/B B | 40 | Fuse: "P DOOR 1", "P RR DOOR", "AM2", "RADIO NO.1", "P-D/C CUT", "P DOOR 2", "PMG", "AMP" |
| 19 | LUG-J/B B | 40 | Capacitor, fuse: "STOP LP 1", "STOP LP 2", "TAIL", "E-PKB", "ABS MAIN 4" |
| 20 | D-J/B B | 40 | Fuse: "D-DOOR 1", "HAZ", "D-DOOR 2", "STR LOCK", "STOP", "SECURITY", "D RR DOOR" |
| 21 | E/G RM B2 | 30 | Fuse: "ABS MAIN 3", "EPS ECU", "D/C CUT 2", "ECU-B2" |
| 22 | EFI NO.1 | 40 | Multiport fuel injection system/sequential multiport fuel injection system |
| 23 | - | - | - |
| 24 | - | - | - |
| 25 | E/G RM B | 80 | Fuse: "D/C CUT 1", "FR CTRL BAT", "EPS ECU", "ABS MAIN 2", "ABS MTR2", "ST", "H-LP RL", "H-LP L |
| | EPS | 80 | DC-DC converter |
| 26 | EFI | 80 | Fuse: "VVT", "ETCS", "ABS MAIN 1", "EDU1", "EDU2", "A/F", "ECU-IG", "IGN", "INJ", "P-J/B" |
| 27 | EPS | 80 | Electric power steering |
| | E/G RM B | 80 | Fuse: "D/C CUT 1", "FR CTRL BAT", "EPS ECU", "ABS MAIN 2", "ABS MTR2", "ST", "H-LP RL", "H-LP LL", "H-LP LVL" |
| 28 | VSSR | 5 | Electric power control system |
| 29 | PTC HTR 1 | 25 | PTC heater |
| 30 | PTC HTR 3 | 25 | PTC heater |
| 31 | - | - | - |
| Relay | | | |
| R1 | Air suspension system (AIRSUS) | | |
| R2 | Electric cooling fan (FAN NO.1) | | |

Engine Compartment Fuse Box No.2



(http://fotohostingtv.ru/show.php/21547_knigaproavtoru11045122.jpg.html)

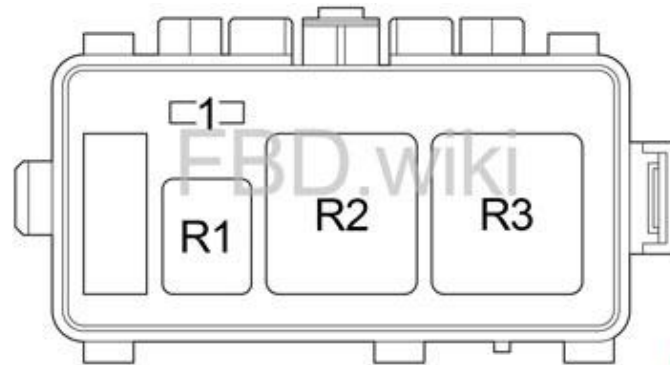
| No. | Fuse | A | Circuit |
|-----|--------------|----|---|
| 1 | DEICER | 25 | Windshield wiper de-icer |
| 2 | WIP | 30 | Windshield wiper |
| 3 | ABS MAIN2 | 10 | ABS, VSC, VDIM |
| 4 | IGCTI | 25 | Smart access system with push-button start |
| 5 | EPS ECU | 10 | EPS |
| 6 | FR CTRL BAT | 30 | Headlight high beams, horns |
| 7 | E/G RM-IG1-2 | 10 | AFS, headlight high beams, parking lights, side marker lights, horns, alarm, windshield washer, exhaust system, headlight cleaner |
| 8 | E/G RM-IG1-1 | 10 | Charging system, EPS, electric cooling fans, AFS |
| 9 | H-LP LL | 15 | Headlight low beams |
| 10 | ABS MAIN1 | 10 | Brake system, pre-collision seat belt |
| 11 | H-LP RL | 15 | Headlight low beams |
| 12 | ETCS | 10 | Multipoint fuel injection system/sequential multipoint fuel injection system |
| 13 | NV-IR | 10 | Cruise control system |
| 14 | IGN | 10 | Multipoint fuel injection system/sequential multipoint fuel injection system, brake system, airbag system |

| | | | |
|----|-------------|----|---|
| 15 | ECU-IG | 10 | Multiport fuel injection system/sequential multiport fuel injection system, stop lights, pre-collision seat belt, charging system |
| 16 | D/CUT1 | 30 | Fuse: "ECU-B", "D MPX-B 1", "D MPX-B 2", "P MPX-B", "RR MPX-B 1", "RR MPX-B 2", "DOME" |
| 17 | ECU-B | 10 | Headlight high beams, parking lights, horns, alarm, windshield washer, precollision seat belt, headlight cleaner |
| 18 | A/F | 15 | Multiport fuel injection system/sequential multiport fuel injection system, exhaust system |
| 19 | EDU2 | 25 | Multiport fuel injection system/sequential multiport fuel injection system |
| 20 | FR CTRL ALT | 20 | Windshield washer, alarm, headlight cleaner, parking lights, side marker lights |
| 21 | EDU1 | 25 | Multiport fuel injection system/sequential multiport fuel injection system |
| 22 | RELIEF VLV | 10 | Fuel system |
| 23 | FR FOG | 15 | Front fog lights |
| 24 | A/C W/P | 10 | Air conditioning system, electric cooling fans |
| 25 | H-LP LVL | 10 | Discharge headlights, headlight high beams, parking lights, side marker lights, horns, alarm, windshield washer |
| 26 | P-J/B | 10 | Fuse: "P IG2", "P RR-IG2" |
| 27 | - | - | - |
| 28 | INJ | 10 | Multiport fuel injection system/sequential multiport fuel injection system |
| 29 | - | - | - |
| 30 | - | - | - |
| 31 | - | - | - |
| 32 | D/CUT2 | 30 | Fuse: "P MPX-B", "RR ECU-B", "RR MPX-B1", "RR MPX-B2" |
| 33 | ECU-B2 | 5 | Brake system |
| 34 | ABS MAIN 3 | 10 | Brake system, pre-collision seat belt |
| 35 | EFI MAIN 2 | 25 | Multiport fuel injection system/sequential multiport fuel injection system, exhaust system |
| 36 | EFI MAIN | 25 | Multiport fuel injection system/sequential multiport fuel injection system, fuel system |
| 37 | EFI | 10 | Multiport fuel injection system/sequential multiport fuel injection system, fuel system |
| 38 | EFI-B | 10 | Multiport fuel injection system/sequential multiport fuel injection system |
| 39 | ST | 30 | Starter system |
| 40 | ABS MTR1 | 50 | Brake system |
| 41 | ABS MTR2 | 50 | Brake system |
| 42 | VVT | 40 | Multiport fuel injection system/sequential multiport fuel injection system |

Relay

| | |
|-----|-------------------------------------|
| R1 | Ignition (IG2) |
| R2 | Ignition (IG1) |
| R3 | Engine control unit (EFI MAIN2) |
| R4 | Circuit opening (Fuel pump (C/OPN)) |
| R5 | Fuel pump (F/PMP) |
| R6 | Variable valve timing (VVT LH) |
| R7 | Engine control unit (EFI MAIN) |
| R8 | Starter (ST CUT) |
| R9 | Variable valve timing (VVT RH) |
| R10 | Starter (ST) |

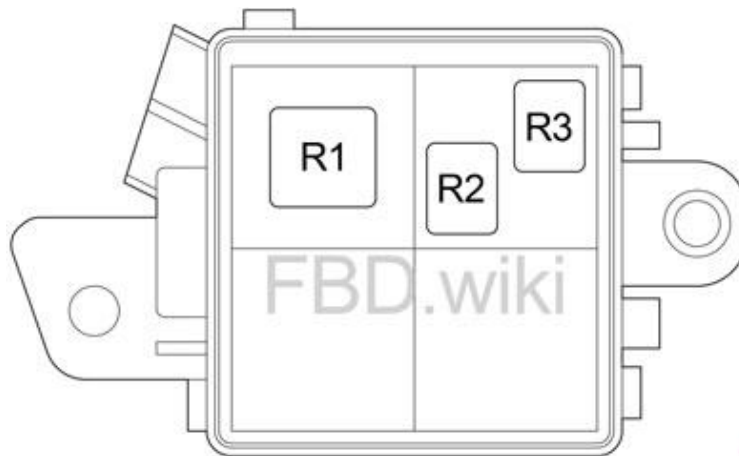
Engine Compartment Relay Box No.1



(http://fotohostingtv.ru/show.php/21550_knigaproavtoru11051401.jpg.html)

| No. | Fuse | A | Circuit |
|--------------|-----------------------------------|---|---------|
| 1 | - | - | - |
| Relay | | | |
| R1 | Windshield wiper de-icer (DEICER) | | |
| R2 | Anti-lock brake system (ABS MTR2) | | |
| R3 | Rear windshield defogger (DEFOG) | | |

Engine Compartment Relay Box No.2



(http://fotohostingtv.ru/show.php/21549_knigaproavtoru11051522.jpg.html)

| No. | Relay |
|-----|-----------------------|
| R1 | PTC heater (PTC HTR2) |
| R2 | PTC heater (PTC HTR1) |
| R3 | PTC heater (PTC HTR3) |